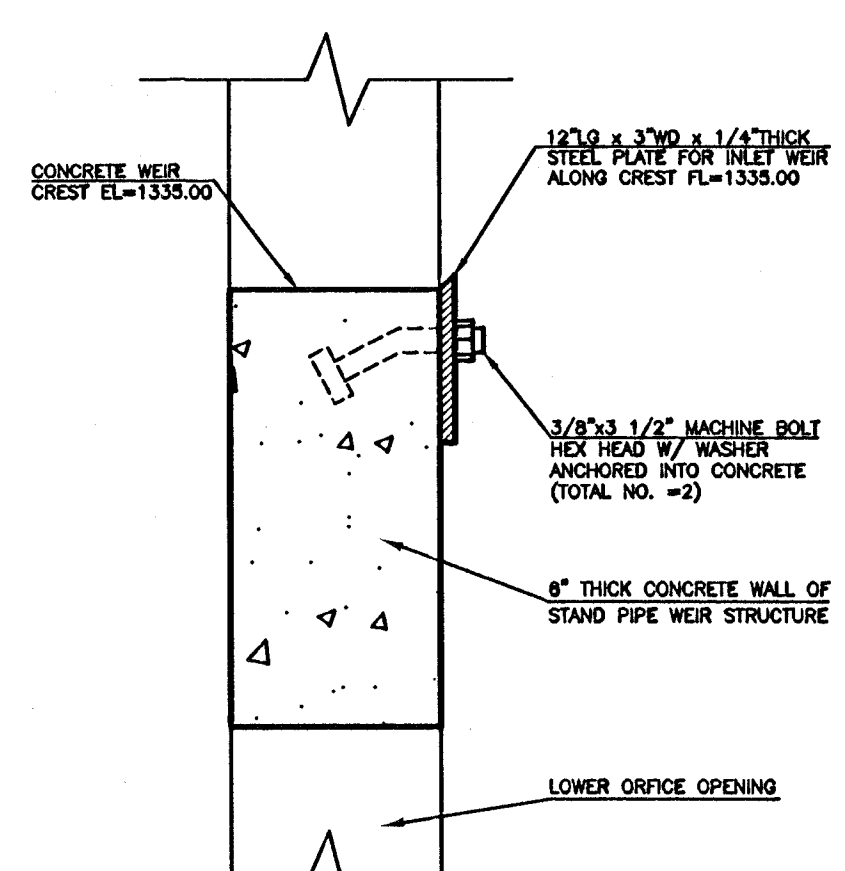


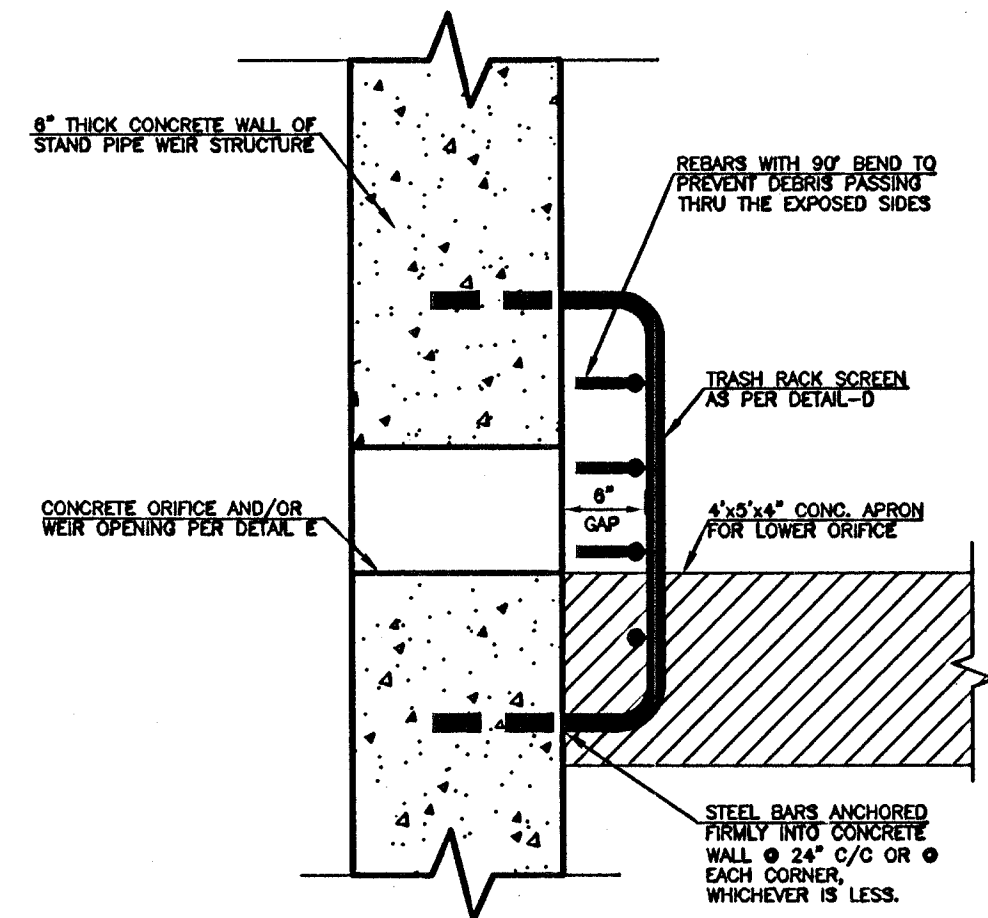
DETAIL-A

N.T.S.
NOTE: 1. REBARS AND TRASH RACKS ARE NOT SHOWN HERE FOR CLARITY.



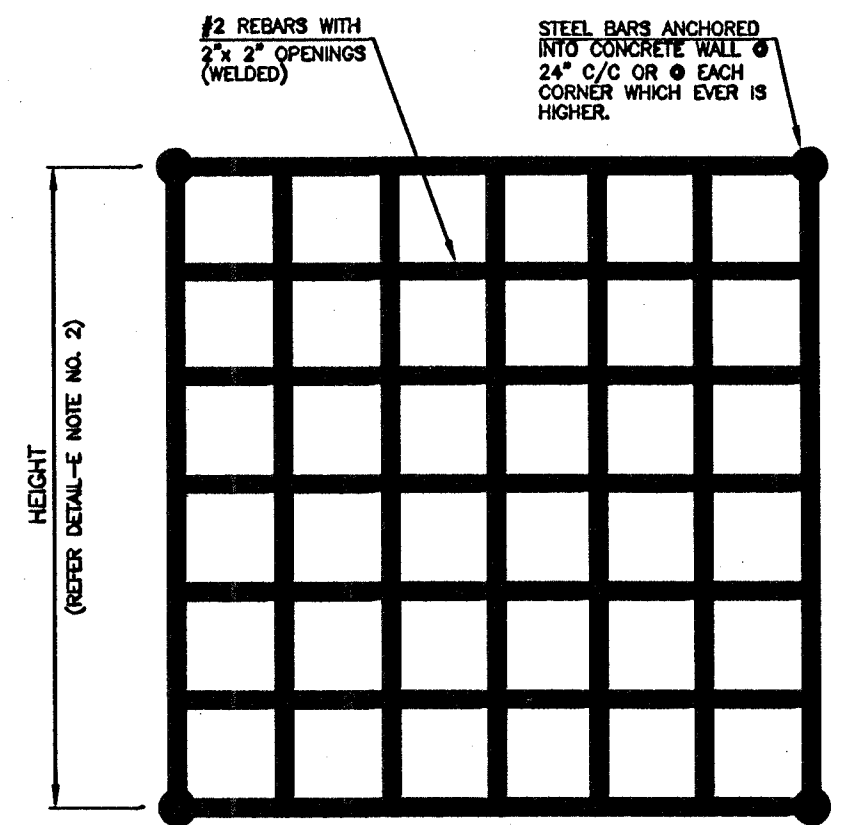
DETAIL-B

N.T.S.
NOTE: 1. REBARS AND TRASH RACKS ARE NOT SHOWN HERE FOR CLARITY.

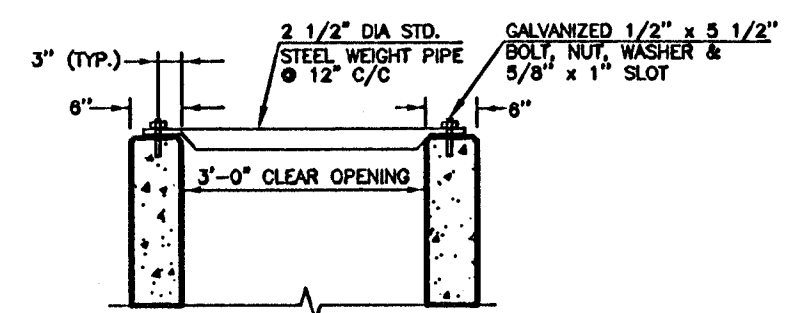


DETAIL-C

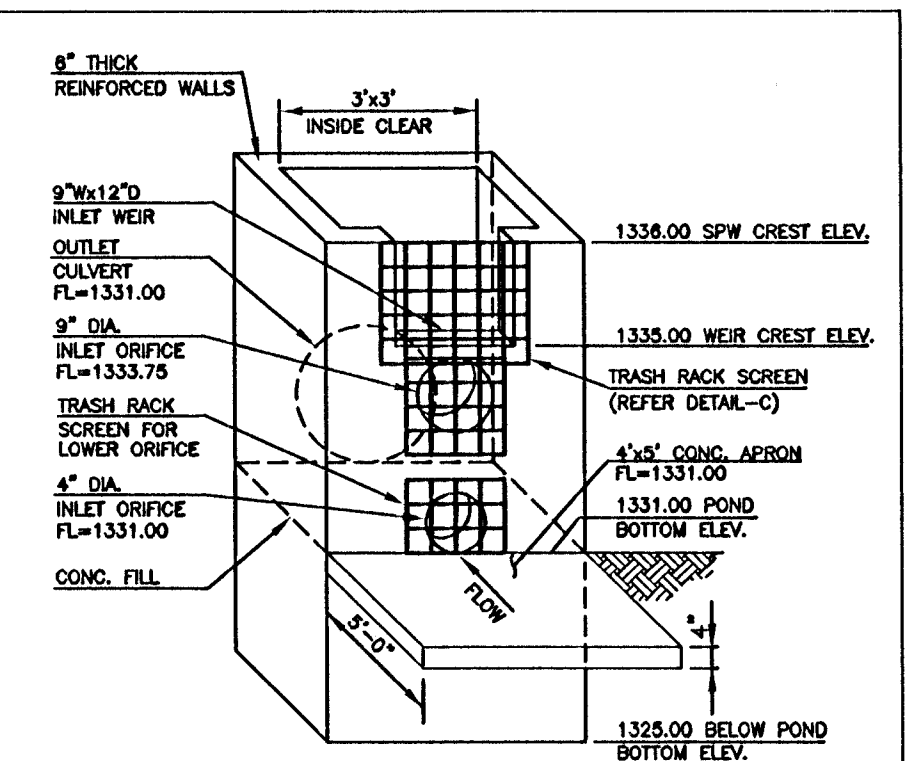
N.T.S.
NOTE: 1. REBARS ARE NOT SHOWN HERE FOR CLARITY.



DETAIL-D
TRASH RACK SCREEN

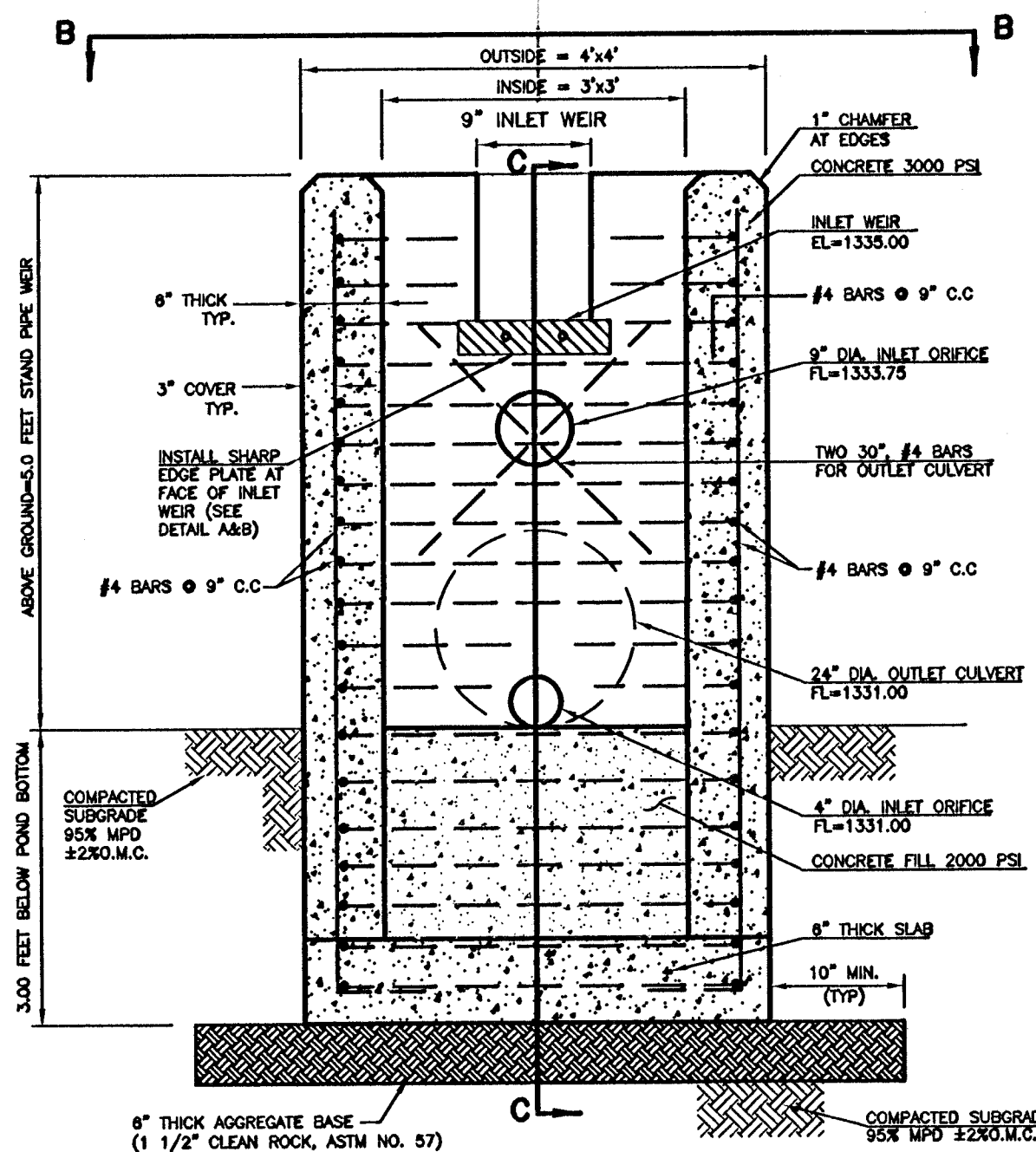


DETAIL-F
PIPE GRATE

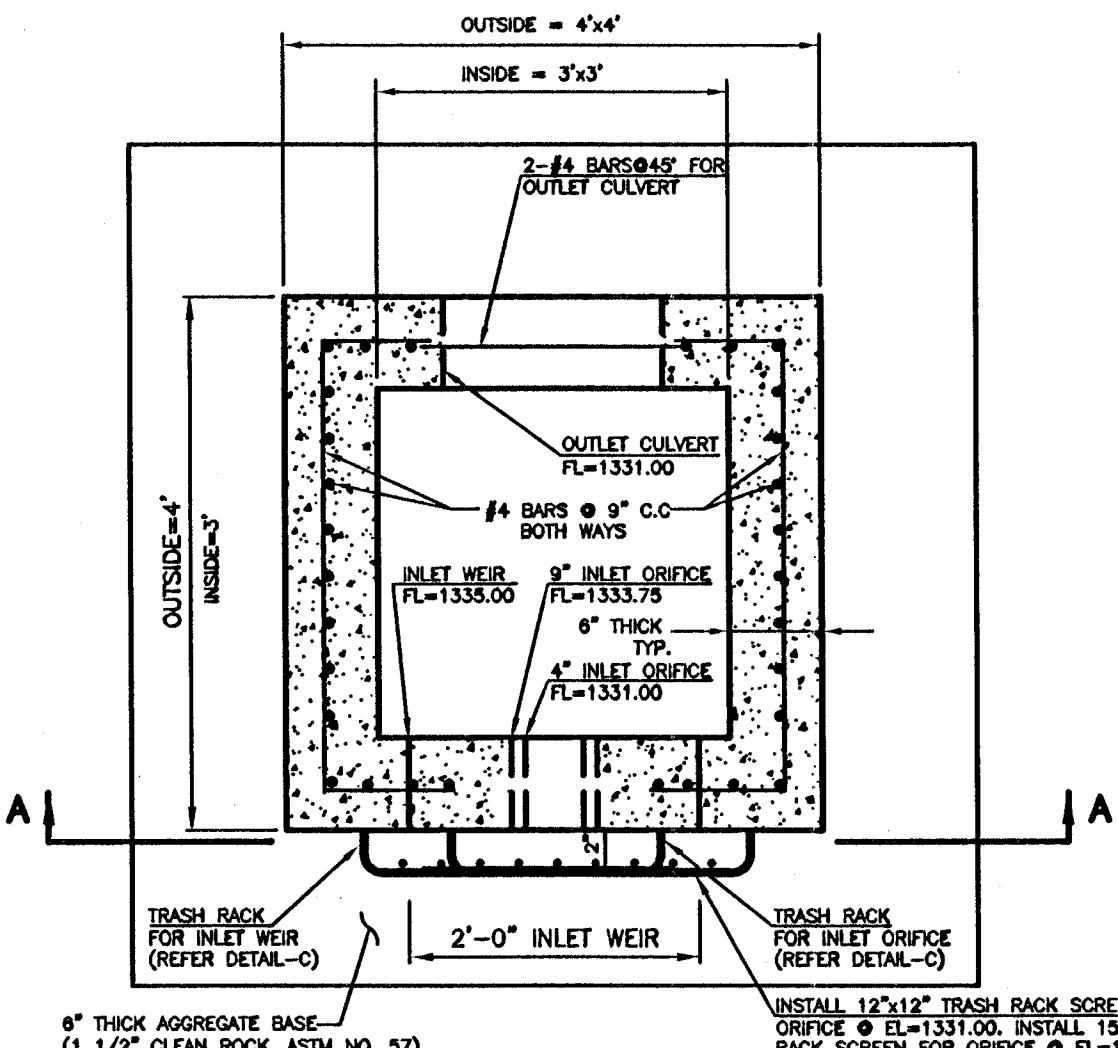


DETAIL-E
CONCRETE STAND PIPE WEIR (SPW) FOR NORTH DETENTION POND

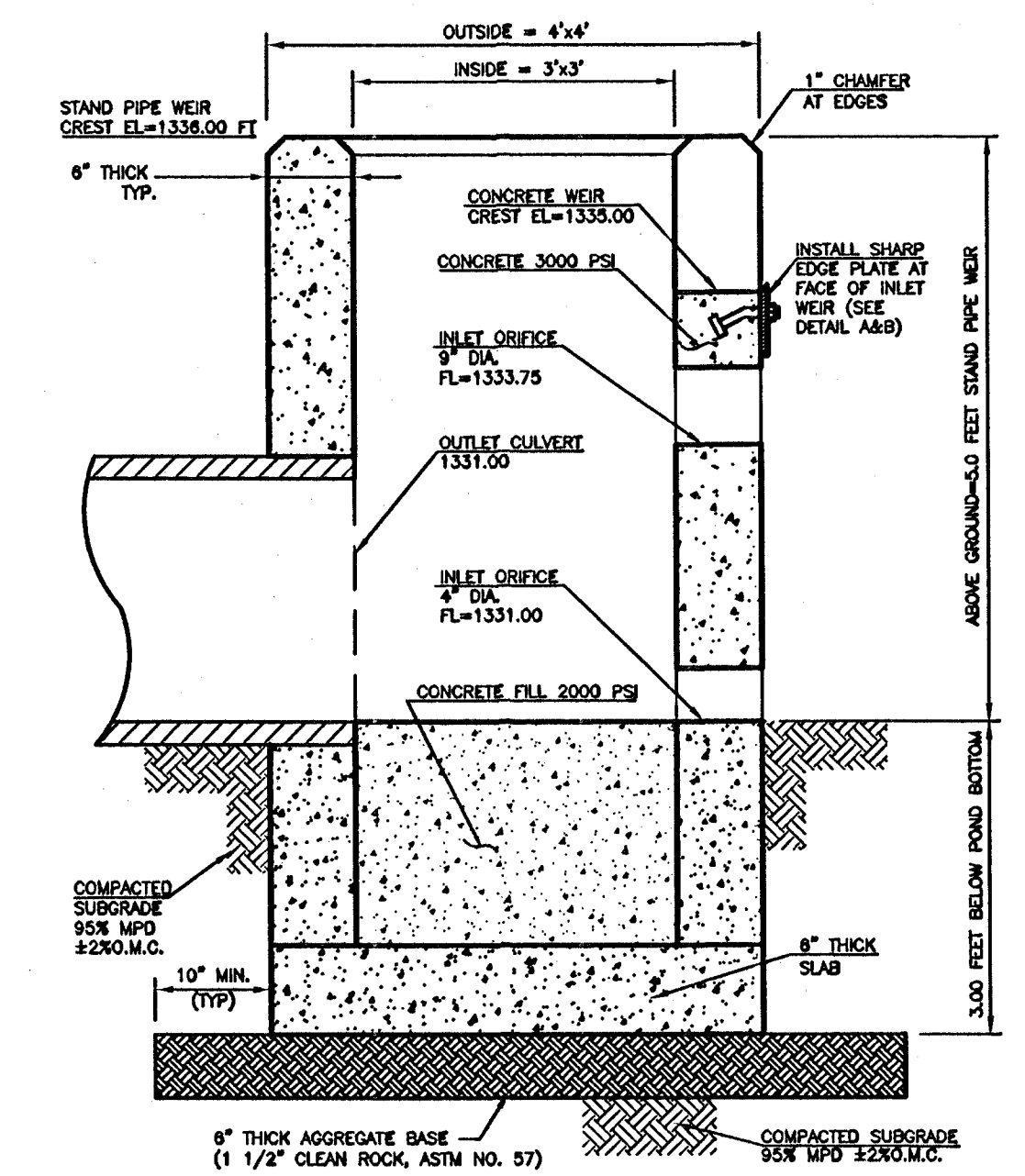
NOTE:
1. REBARS AND CONCRETE THICKNESS OF THE SPW IS NOT SHOWN HERE FOR CLARITY.
2. INSTALL 12"x12" TRASH RACK SCREEN FOR LOWER ORIFICE @ EL=1331.00. INSTALL 15"x15" TRASH RACK SCREEN FOR ORIFICE @ EL=1333.75. INSTALL 15" WIDE x 12" HIGH TRASH RACK SCREEN FOR WEIR. TRASH RACK SCREEN TO BE #2 REBARS WITH 2"x2" OPENINGS (WELDED). ANCHOR TRASH RACK INTO STAND PIPE WEIR FACE WALL WITH ANCHORED BARS INTO CONCRETE WALL (REFER DETAIL-C).



SECTION A-A



SECTION B-B



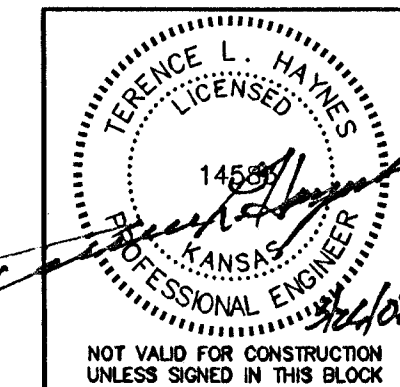
SECTION C-C

- NOTE:
1. REINFORCED STEEL SHALL BE DEFORMED BARS. COST OF STEEL, CONCRETE & MISCELLANEOUS FITTINGS SHALL BE INCLUDED IN PRICE BID FOR STAND PIPE WEIR STRUCTURE.
2. SOME OF THE REBARS IN SECTION A-A OR B-B VIEW MAY NOT BE SHOWN FOR CLARITY PURPOSES. HOWEVER, CONTRACTOR SHALL READ SECTION A-A AND B-B TOGETHER TO CALCULATE THE REBARS QUANTITIES.
3. ALL CONSTRUCTION AND MATERIALS SHALL BE IN ACCORDANCE WITH THE CURRENT APPLICABLE STANDARDS OR SUPPLEMENTAL SPECIFICATIONS.
4. CONCRETE STAND PIPE WEIR STRUCTURE SHALL BE PRE CAST.
5. CONCRETE SHALL BE AIR ENTRAINED PER KDOT SPECS.

CONCRETE STAND PIPE WEIR FOR NORTH DETENTION POND

STAND PIPE WEIR FOR NORTH DETENTION POND
WAL-MART SUPERCENTER #4321-00
NW 53rd ST. NORTH & N. MERIDIAN WICHITA, KANSAS

SMC Consulting Engineers, P.C.
815 West Main - Oklahoma City, OK 73108
PH: 405-232-7715 FAX: 405-232-7859
KANSAS CERTIFICATE OF AUTHORIZATION NO. E-335 EXP. DEC. 2008



No.	Revision	By	Date
1	Per City comments	MDS	01/23/07

DATE: 12/12/06
DRAWN BY: TN
PROJECT NO.: 4344.00
ENGINEER: TERENCE L. HAYNES, P.E. #14583

SCALE: NTS
SHEET NO. C-8.19