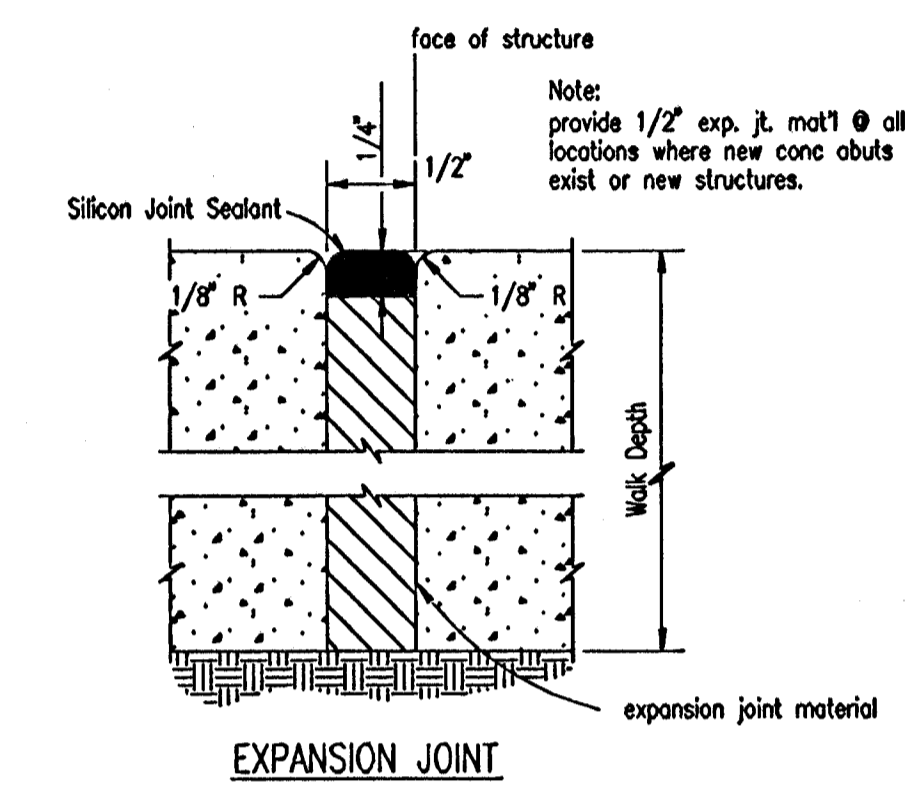
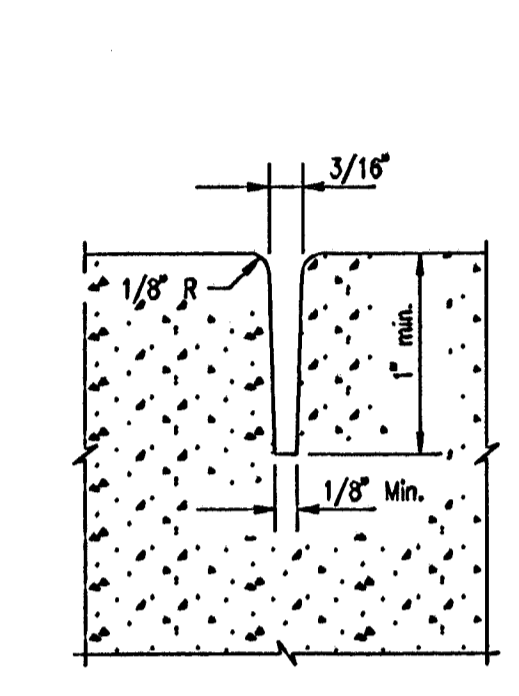
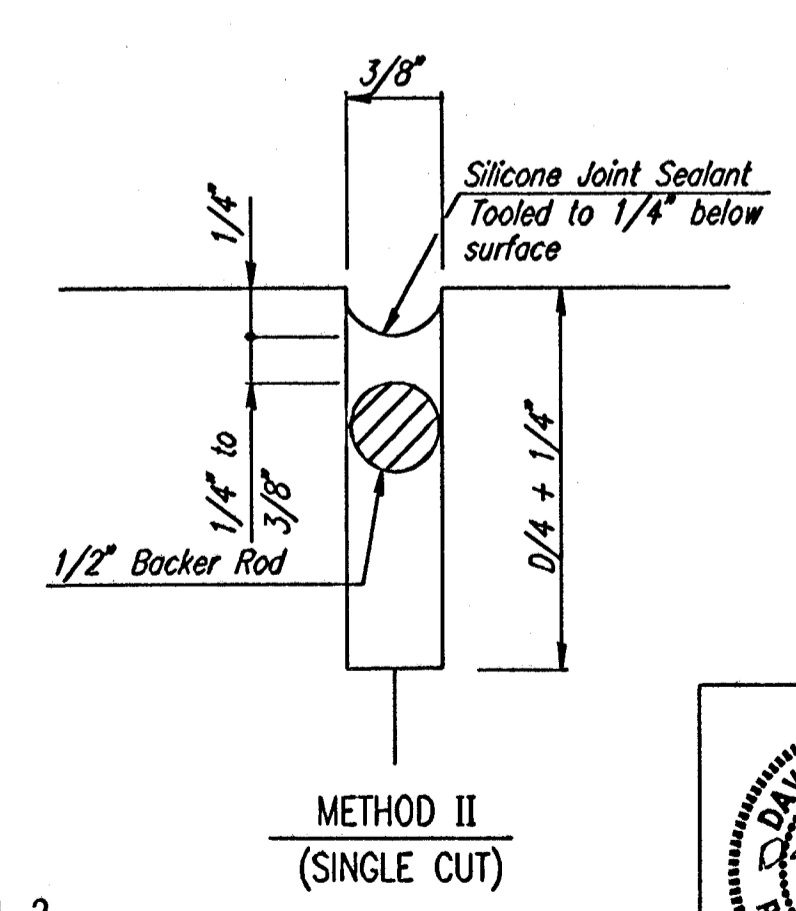
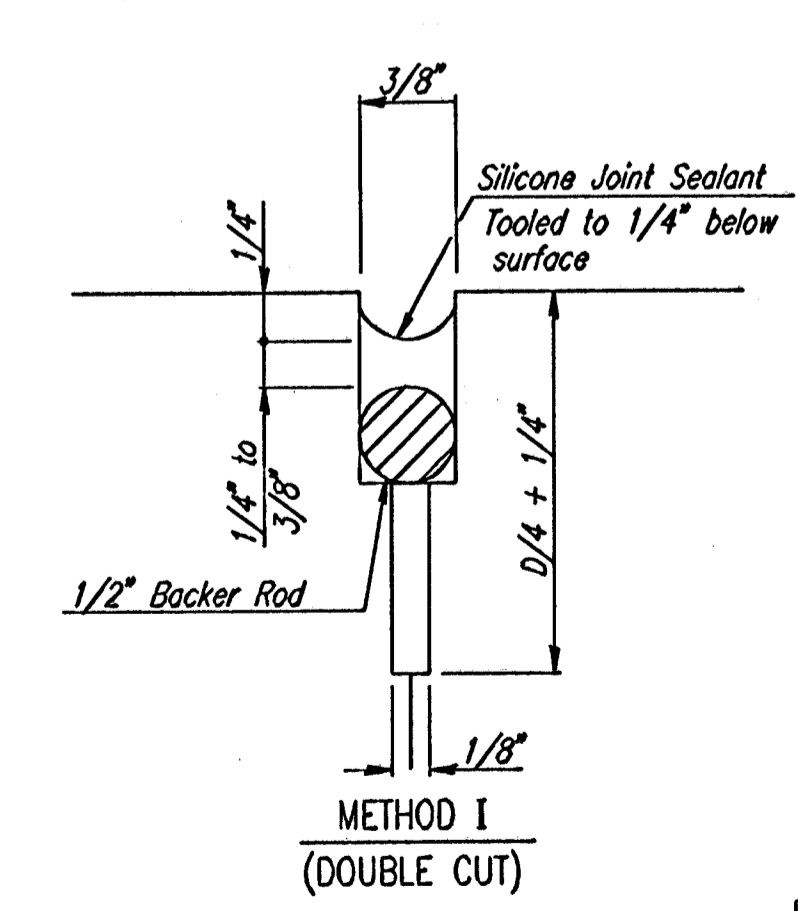
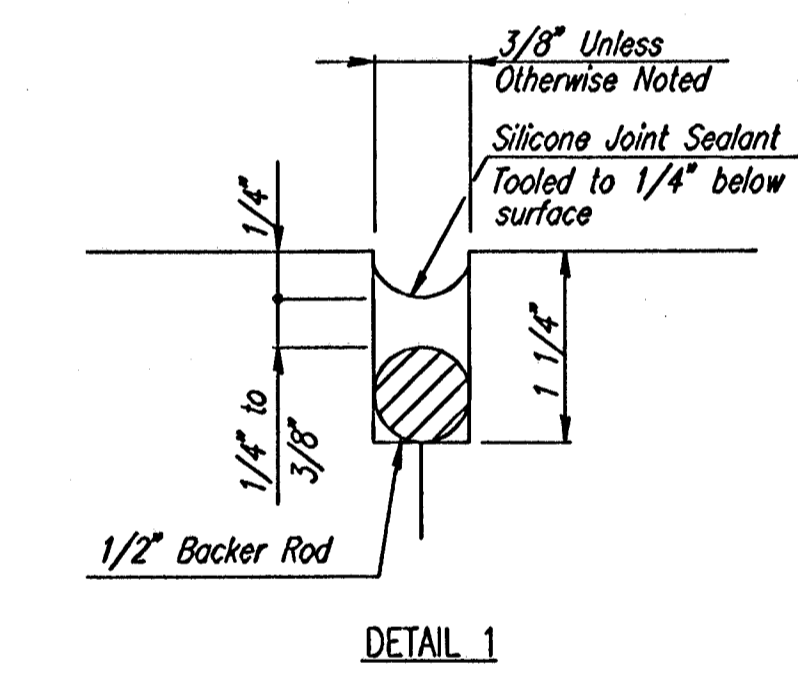
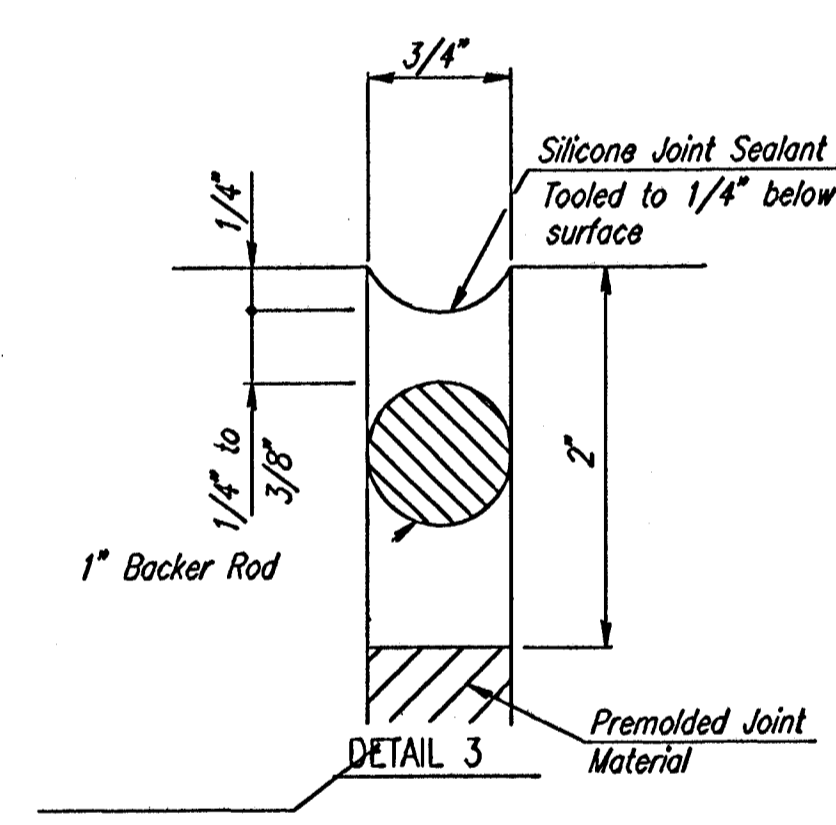


CONCRETE WALK DETAILS



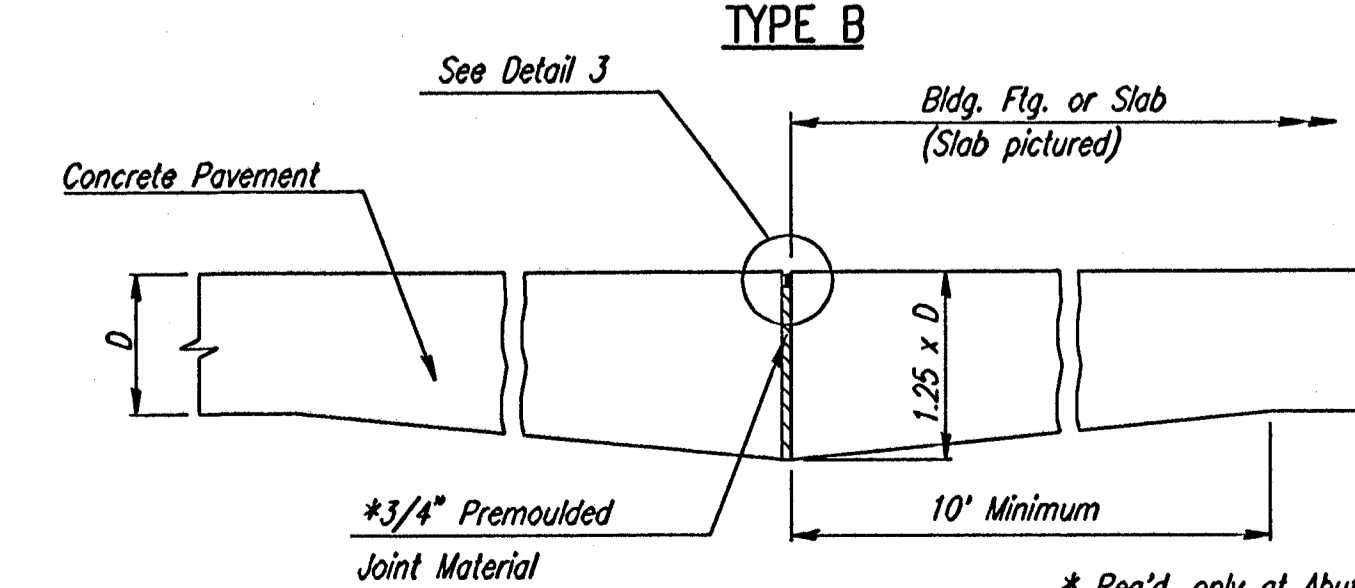
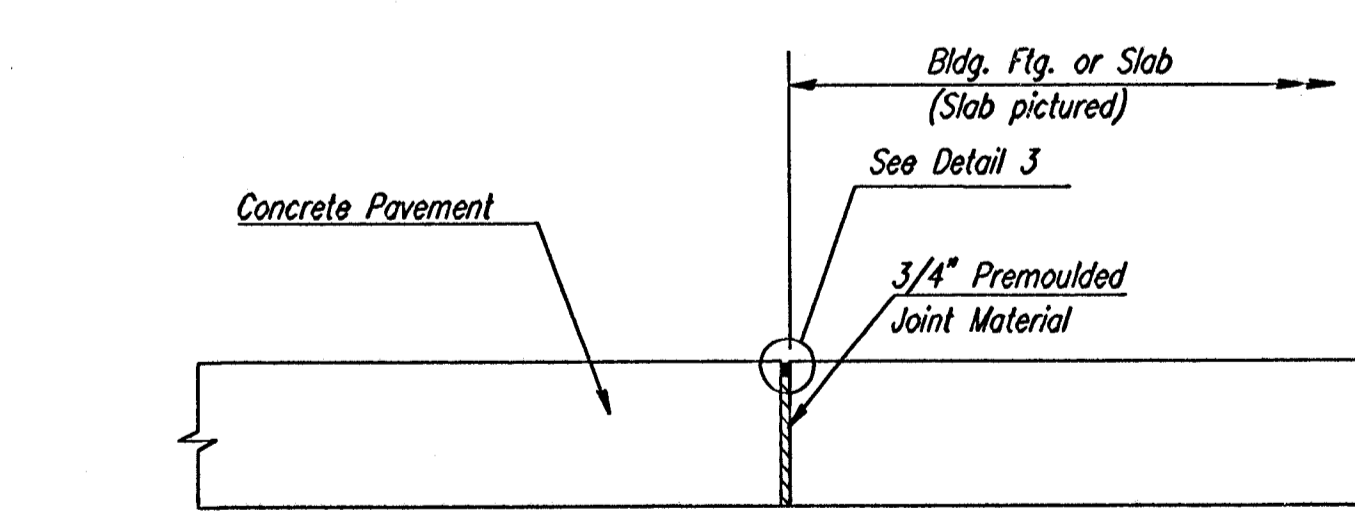
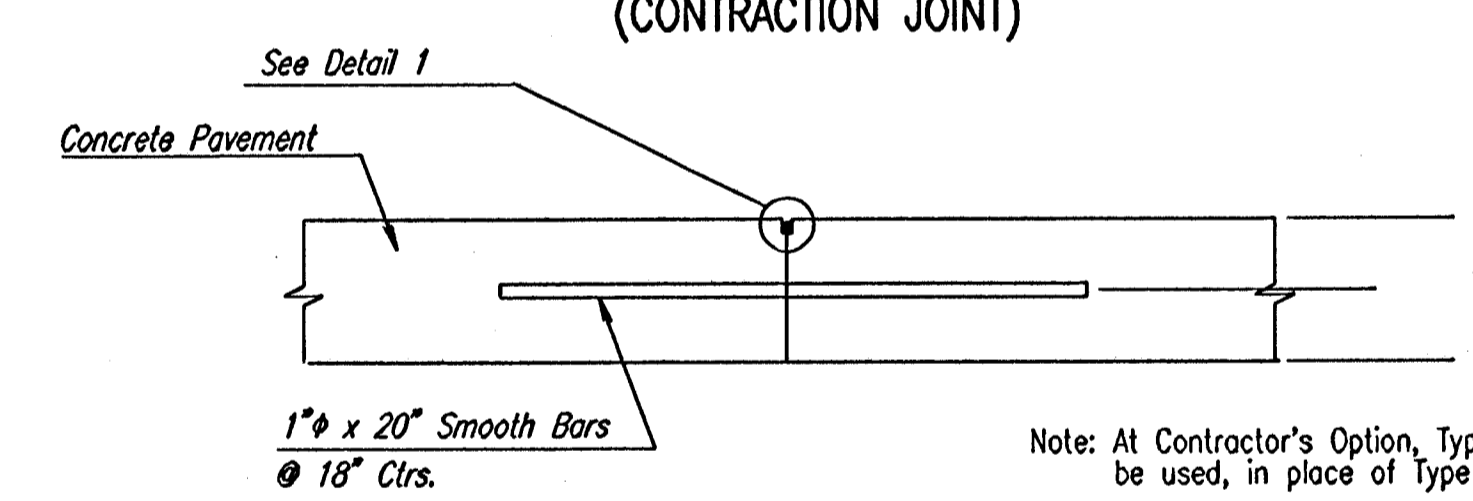
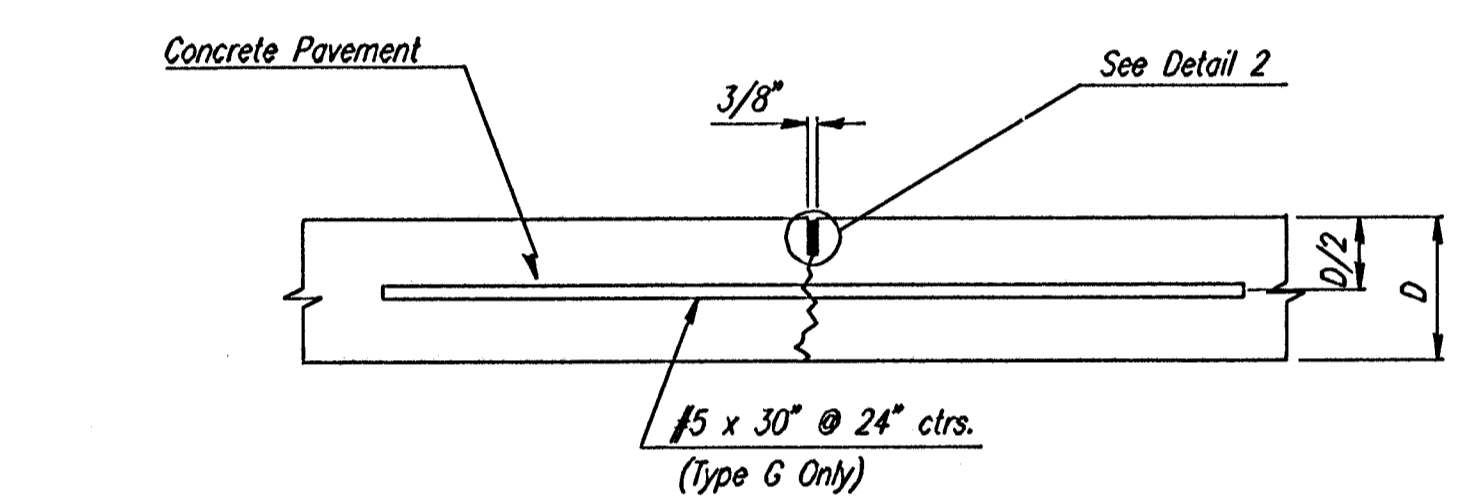
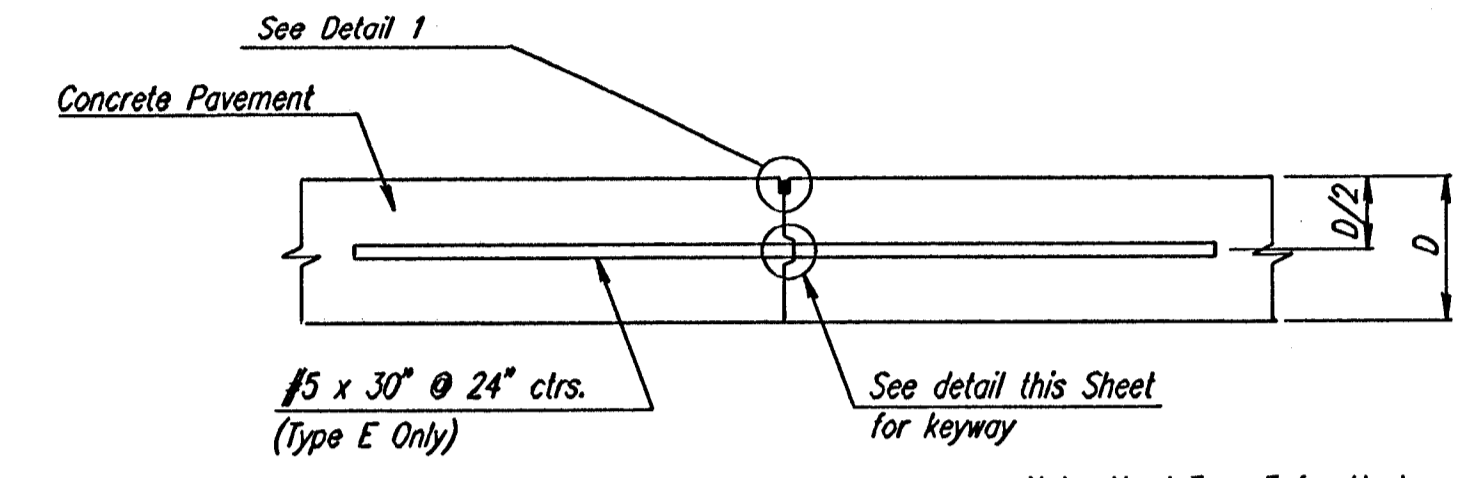
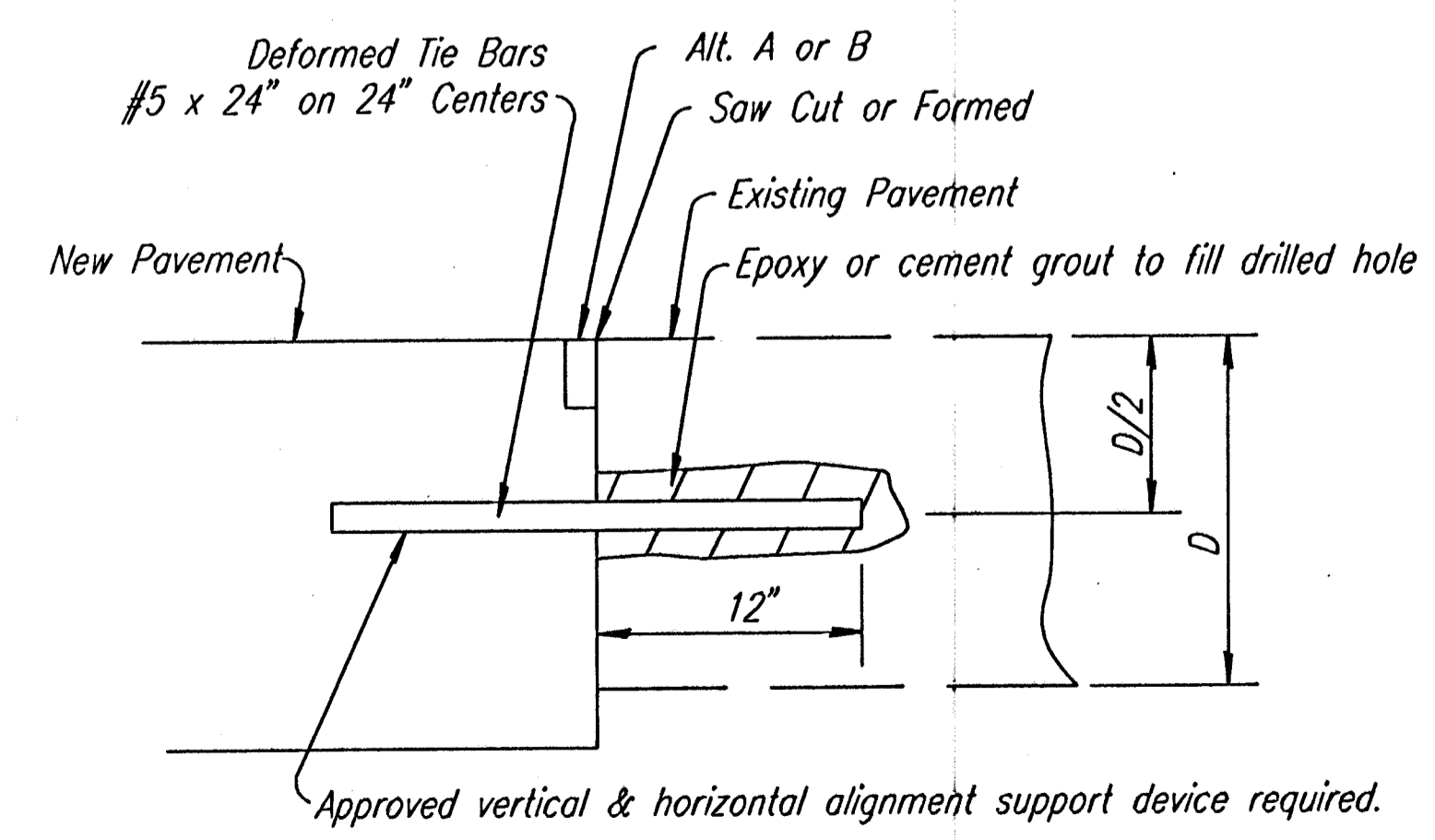
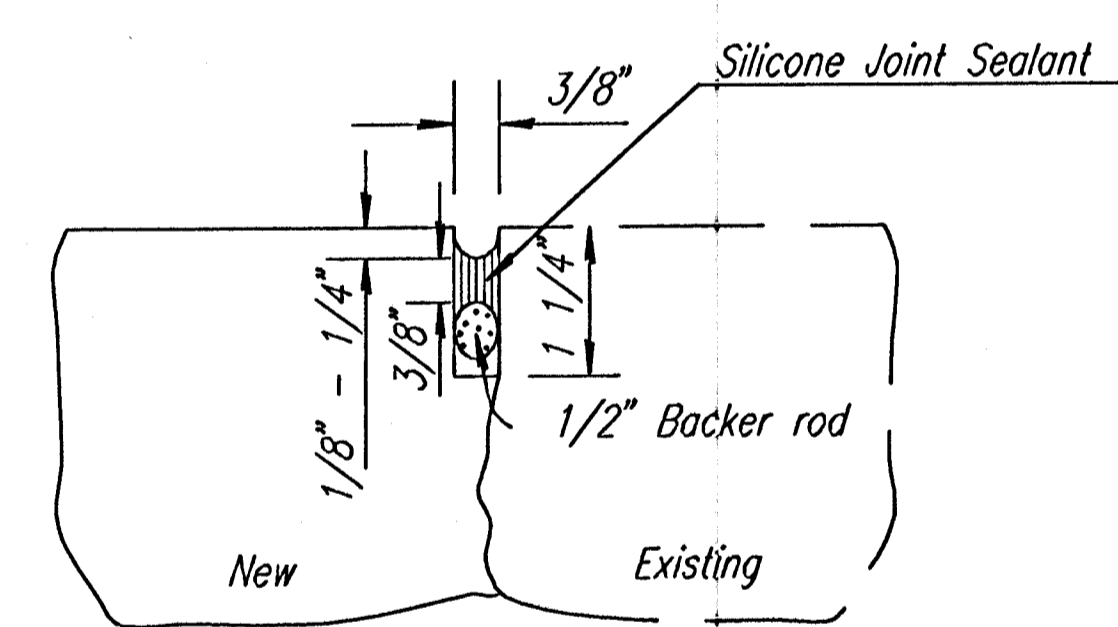
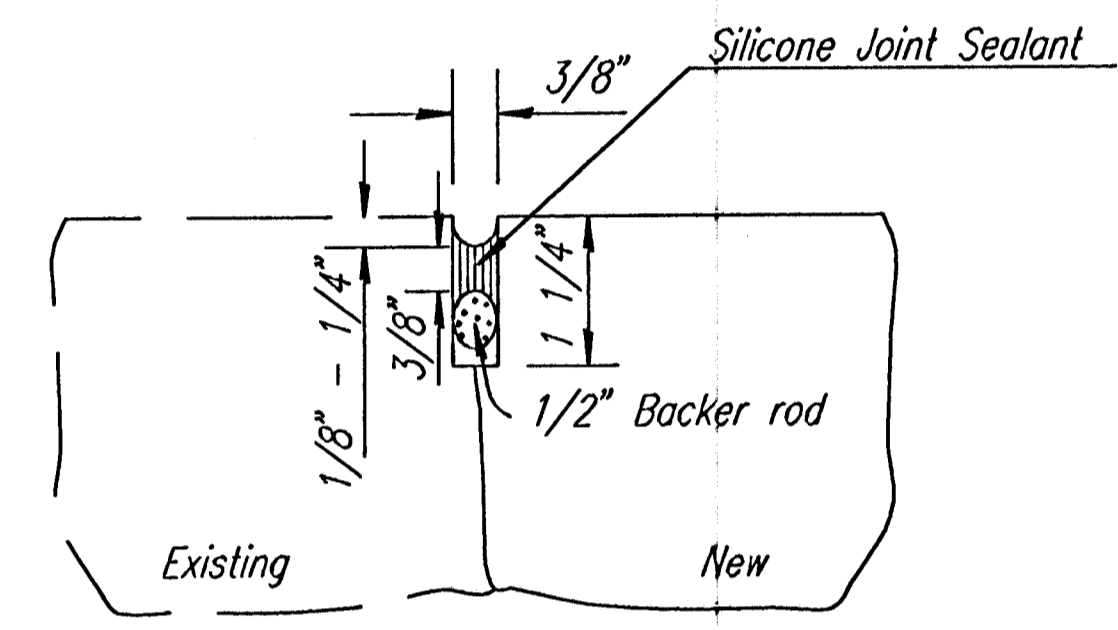
CONCRETE WALK JOINT DETAILS



JOINT SEAL DETAILS

MEDIAN COMBINED CURB AND GUTTER

STANDARD COMBINED CURB AND GUTTER

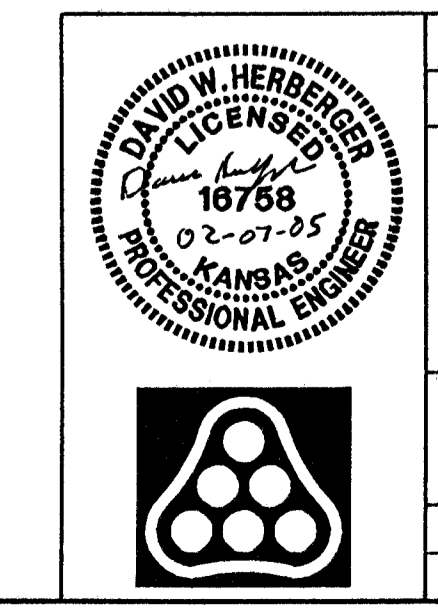


Note: Used Type E for Unplanned Transverse Contraction Joints or Emergency Stops.

Note: At Contractor's Option, Type D Joints may be used, in place of Type EU Joints.

* Req'd, only at Abutment to Adjacent Concrete Pavement.

DSNR: DMH OPER: SAW SCALE: 1=1.00
 C: 2004 04549 000 PPF 04549-00-C-Pavement Details 02-07-2005 03:25:36 pm



No.	Revision	By	Date
CITY OF WICHITA, KANSAS JAMES L. ARMOUR, P.E. - ACTING CITY ENGINEER FRIENDS UNIVERSITY - WOOLMAN REPLACEMENT PAVEMENT DETAILS PRIVATE PROJECT NO. 164PPP (607879) Professional Engineering Consultants, P.A. 303 S. TOPEKA • WICHITA, KANSAS 67202 316-262-2691 • FAX 316-262-3003			
Designed by	DWH	Job No.	35-04549-0259
Drawn by	SAW	Date	FEBRUARY 2005
			Sht. 7 of 12