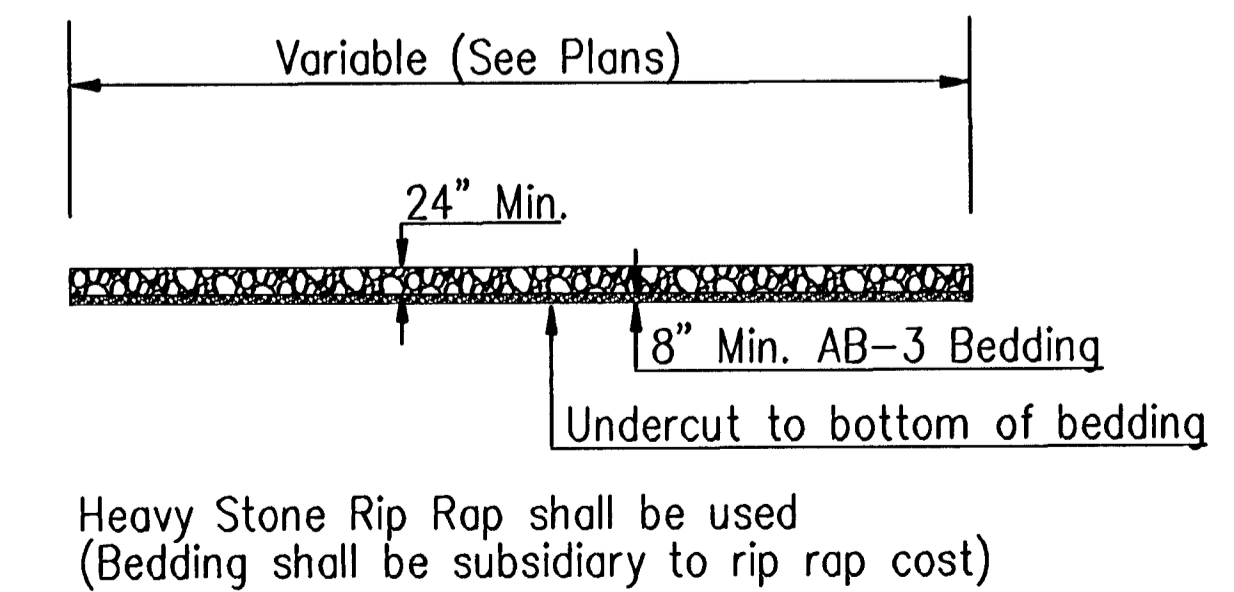
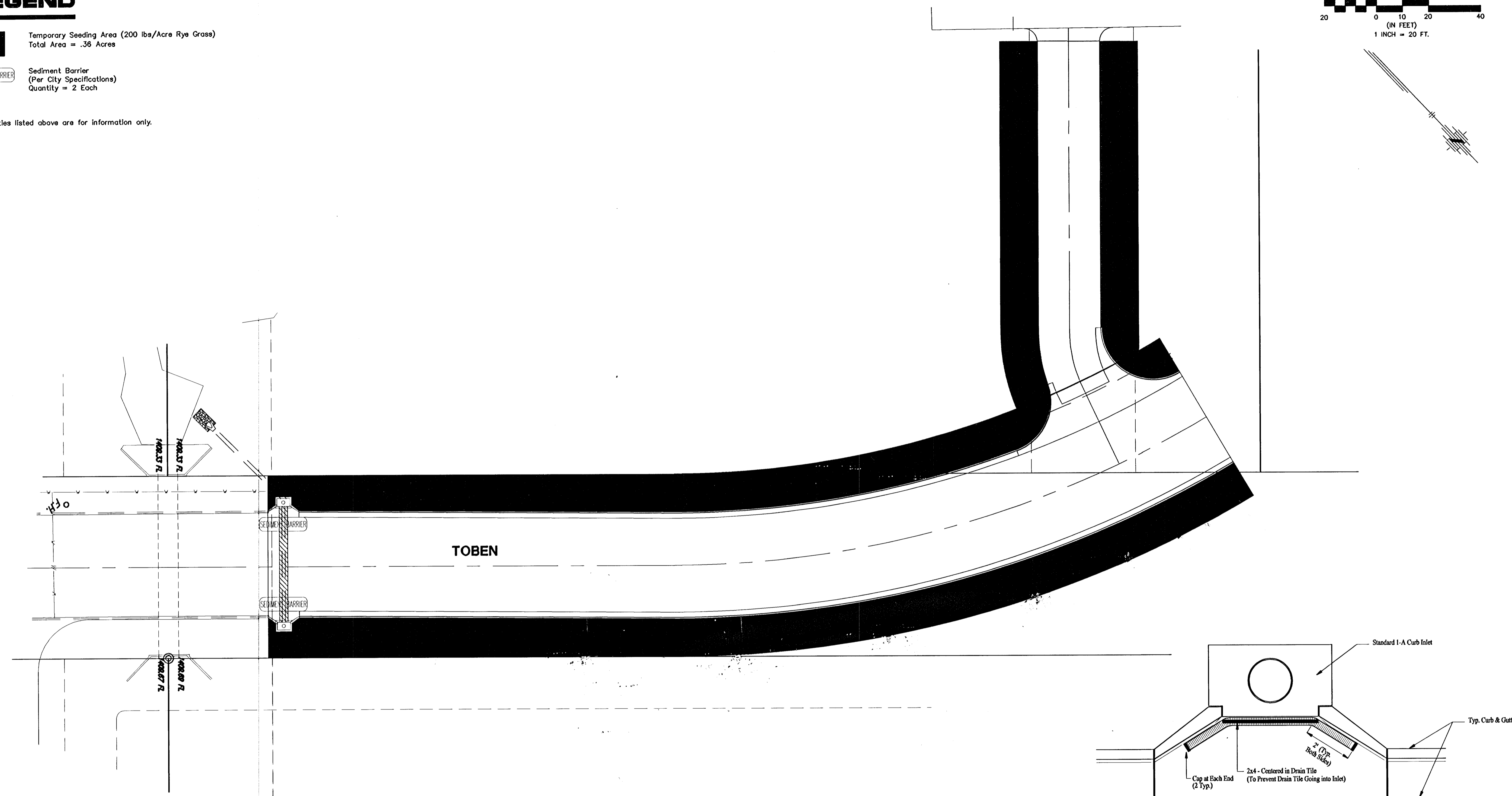
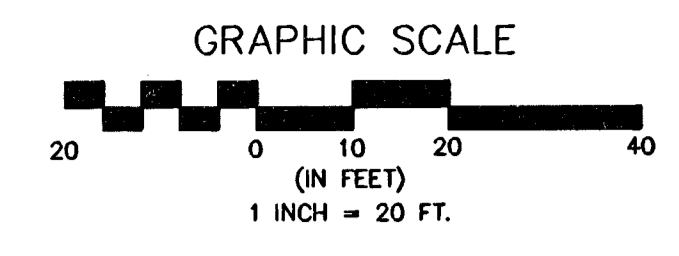


LEGEND

- Temporary Seeding Area (200 lbs/Acre Rye Grass)
Total Area = .36 Acres
- SEDIMENT BARRIER Sediment Barrier
(Per City Specifications)
Quantity = 2 Each

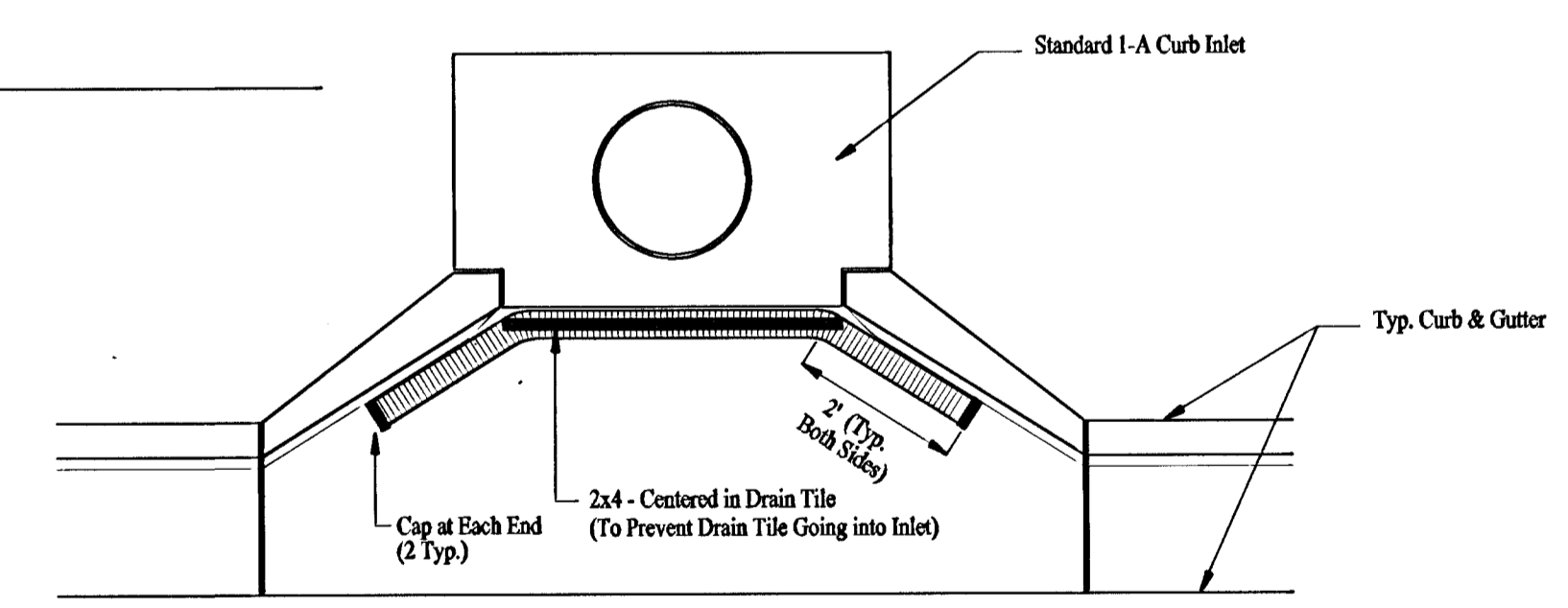
Quantities listed above are for information only.



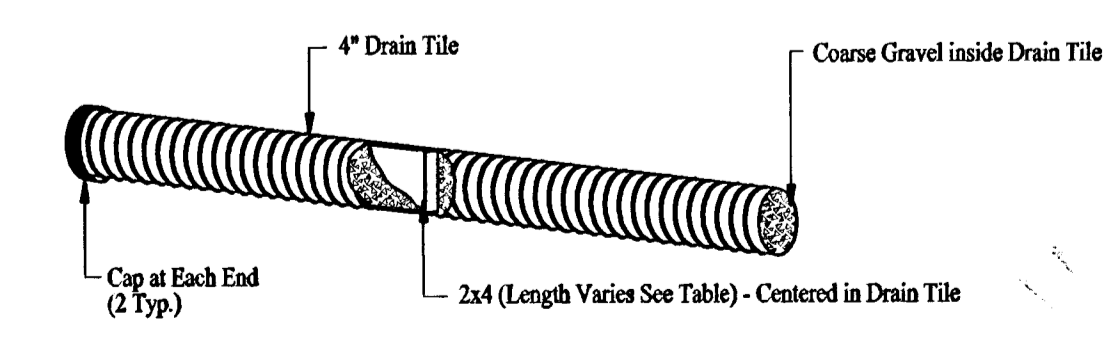
Heavy Stone Rip Rap shall be used
(Bedding shall be subsidiary to rip rap cost)

Rip Rap Detail

(No Scale)



2x4 LENGTH	INLET TYPE	INLET OPENING
5'-6"	1-A	5'-0"
10'-6"	1-A	10'-0"
15'-6"	1-A	15'-0"



Curb Inlet Sediment Barrier Detail

(No Scale)

No.	Date	By	Approved	Revision
1				
<p>POE & ASSOCIATES, INC. CONSULTING ENGINEERS 5940 E. Central, Suite 200 • Wichita, KS 67208-0242 Phone 316/685-4114 • FAX 316/685-4444</p>				
<p>MEDITERRANEAN PLAZA ADDITION PRIVATE STREET IMPROVEMENTS STORM WATER POLLUTION PREVENTION PLAN CITY OF WICHITA, KANSAS JAMES ARMOUR, P.E. - CITY ENGINEER 167 PPE (807873)</p>				
<p>FINAL</p>				
<p>Designed By: T. Austin/S. Schmitt Drawn By: S. Schmitt Poe Job No.: 1831A Date: June 2005</p>				
<p>Sheet 16 of 19</p>				

Y: 18311831A\base.dwg Thu Jun 23 11:35:15 2005 Steve Schmitt, Poe & Associates