

Construct 450if V-bottom swale with minimum channel slope of 0.40% to detention pond. Side slope of channel to be a minimum slope of 1:4 to existing grade.

Install 10'x30' of Rip-Rap at outfall of swale. Install Rip-Rap to base of embankment per COW Specs.

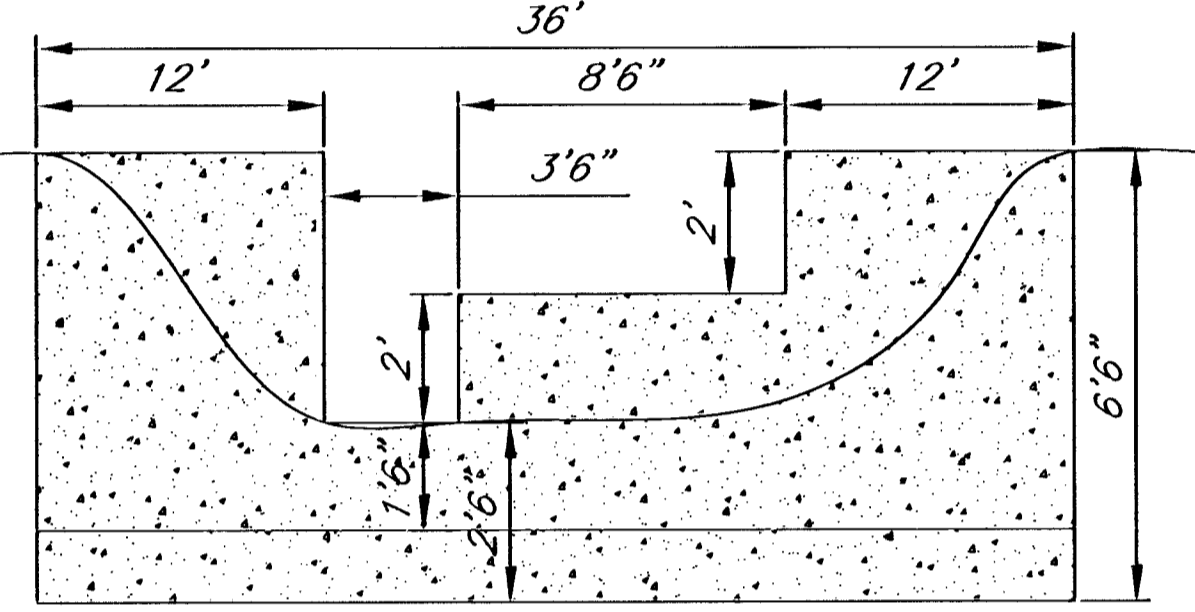
Grade to drain at 0.40% grade

Install 7' wide Conc. Weir Structure. See details. Install 25 sq. yards Rip-Rap downstream of Weir Structure. Install per City of Wichita Construction Specs.

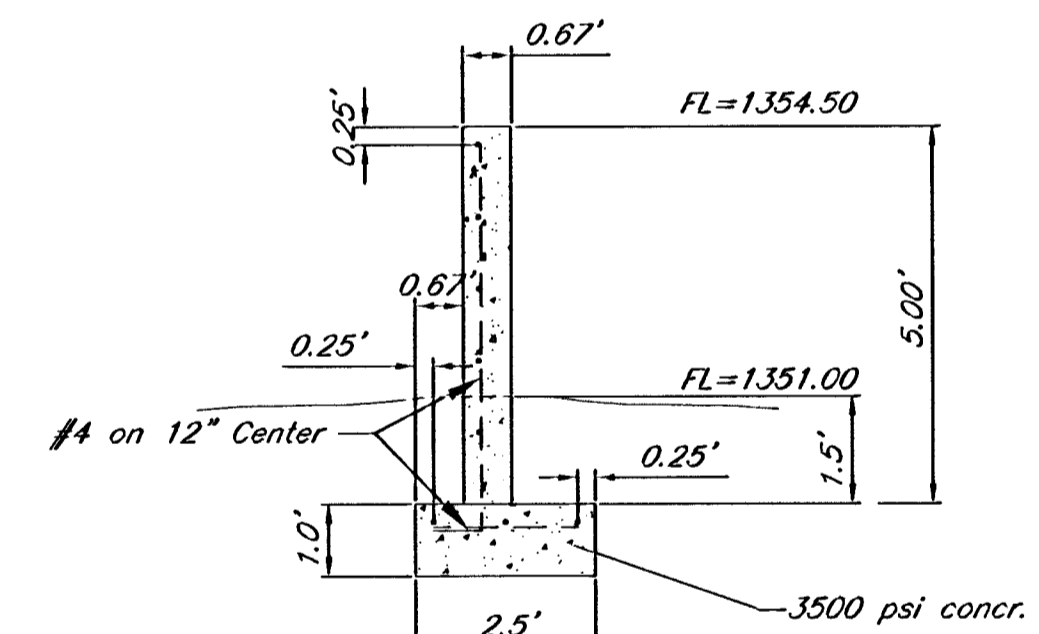
**Pond Construction Note:**  
 Pond shall be lined existing impermeable soil and/or mixed with Bentonite to ensure sealed pond base and embankment to the minimum elevation of 1351.00. Pond liner to be tested by Geotechnical engineer to verify pond impermeability. Embankment and berm to be seeded with Fescue(6lbs/1000sf) / Rye(3lbs/1000sf) blend with 10-20-10 fertilizer (350lbs/acre) Pond shall be seeded within 2 weeks of excavation.

**SECTION A-A**  
NOT TO SCALE

**SECTION B-B Concrete Weir Structure**  
NOT TO SCALE

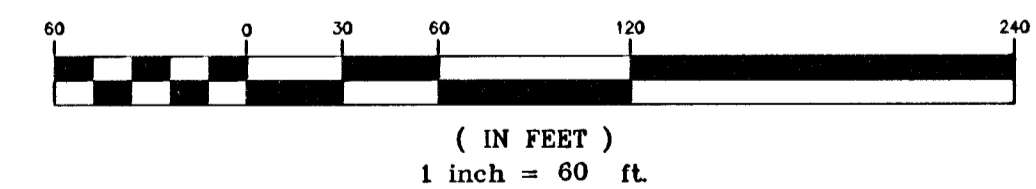


**ELEVATION**  
Not to Scale



**SECTION**  
Not to Scale

**Benchmark:**  
 "k" cut N. top of curb,  
 N. median of access Road.  
 Elev. 1360.60



**Davis-Moore Mazda  
Pond Details  
Wichita, KS**

PROJECT NUMBER <b>PPS 1762 607861</b>	
KEM NO. 06188	FILE pond detail
DESIGN KM	DATE 05/07
DRAWN KM	REVISED 05/21/07
SHEET <b>11</b>	OF <b>11</b>

214 S. WALSH, WICHITA, KS 67203 316/261-1042