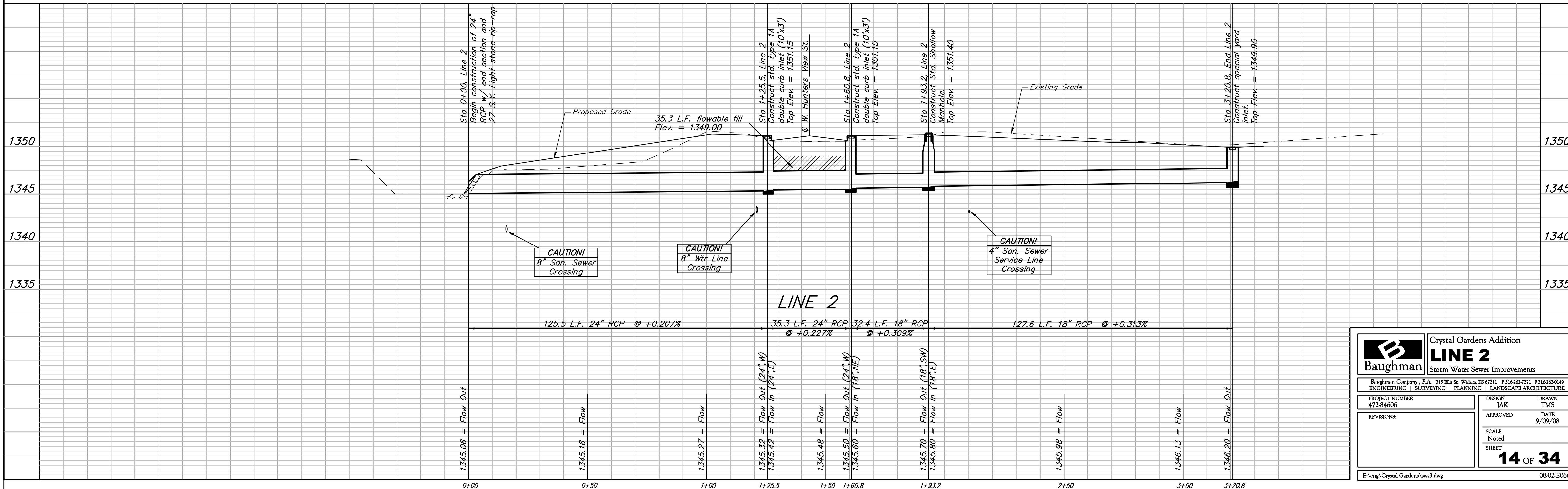
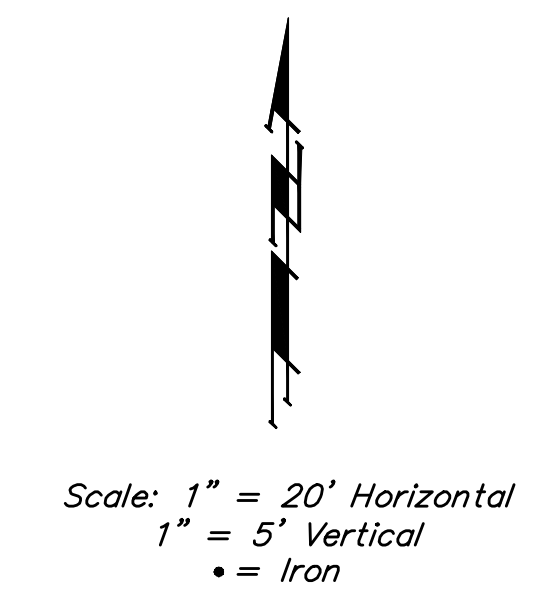
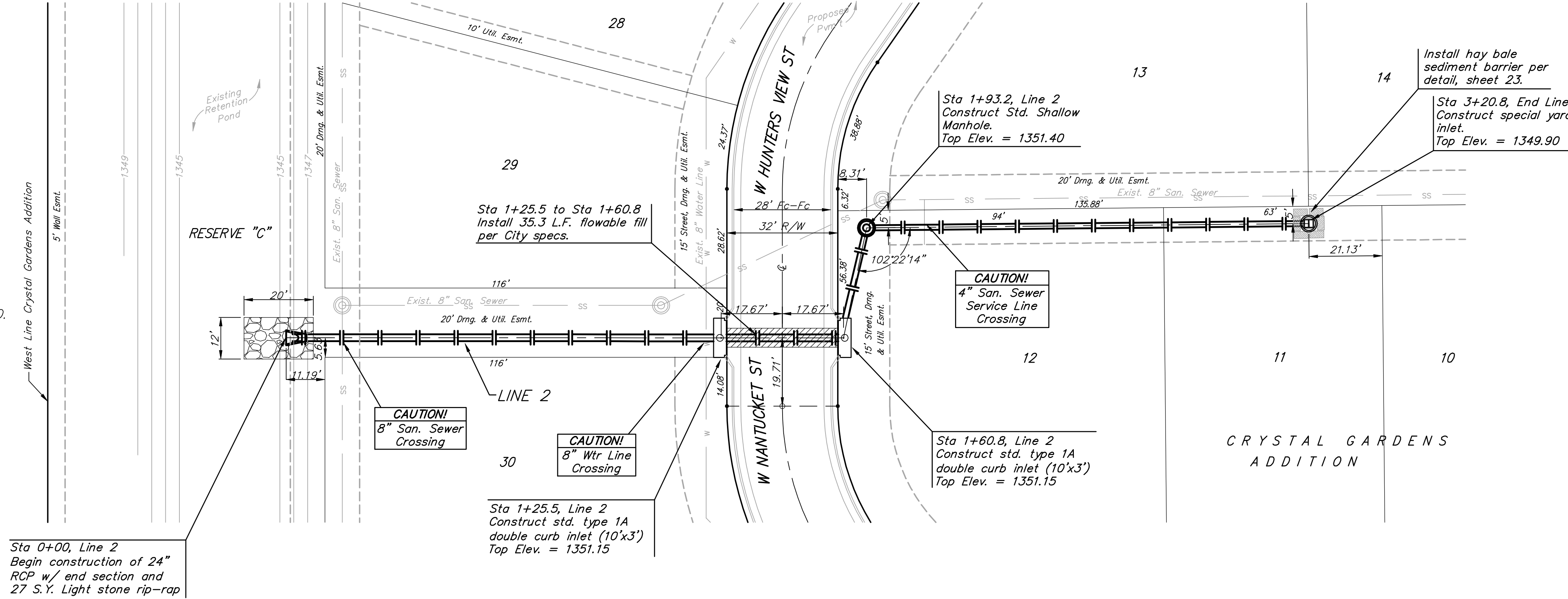


BENCHMARKS:
 Cross Cut In North End of Concrete Valley Gutter, Nickelton & Nickelton Ct., Adjacent to SW Cor. Lot 6, Block C, Silverton Addition.
 Elev. = 1361.49 NGVD 29

Cross Cut In Concrete, \bar{L} of Curb In Front of Catch Basin, Adjacent to SW Cor. Lot 6, Block B, Silverton Addition.
 Elev. = 1360.34 NGVD 29

"□" Cut In SW Cor of Curb Inlet Top, Adjacent to NE Cor Lot 6, Block B, Copper Gate North Addition.
 Elev. = 1361.77 NGVD 29

LOT 1
 VINCE GARCIA ADD.



		Crystal Gardens Addition	
		LINE 2	
ENGINEERING SURVEYING PLANNING LANDSCAPE ARCHITECTURE		Storm Water Sewer Improvements	
PROJECT NUMBER 472-84606	DESIGN JAK	DRAWN TMS	
REVISIONS:	APPROVED	DATE 9/09/08	
	SCALE Noted	SHEET	
		14 OF 34	
E:\eng\Crystal Gardens\sws3.dwg		08-02-ED066	