

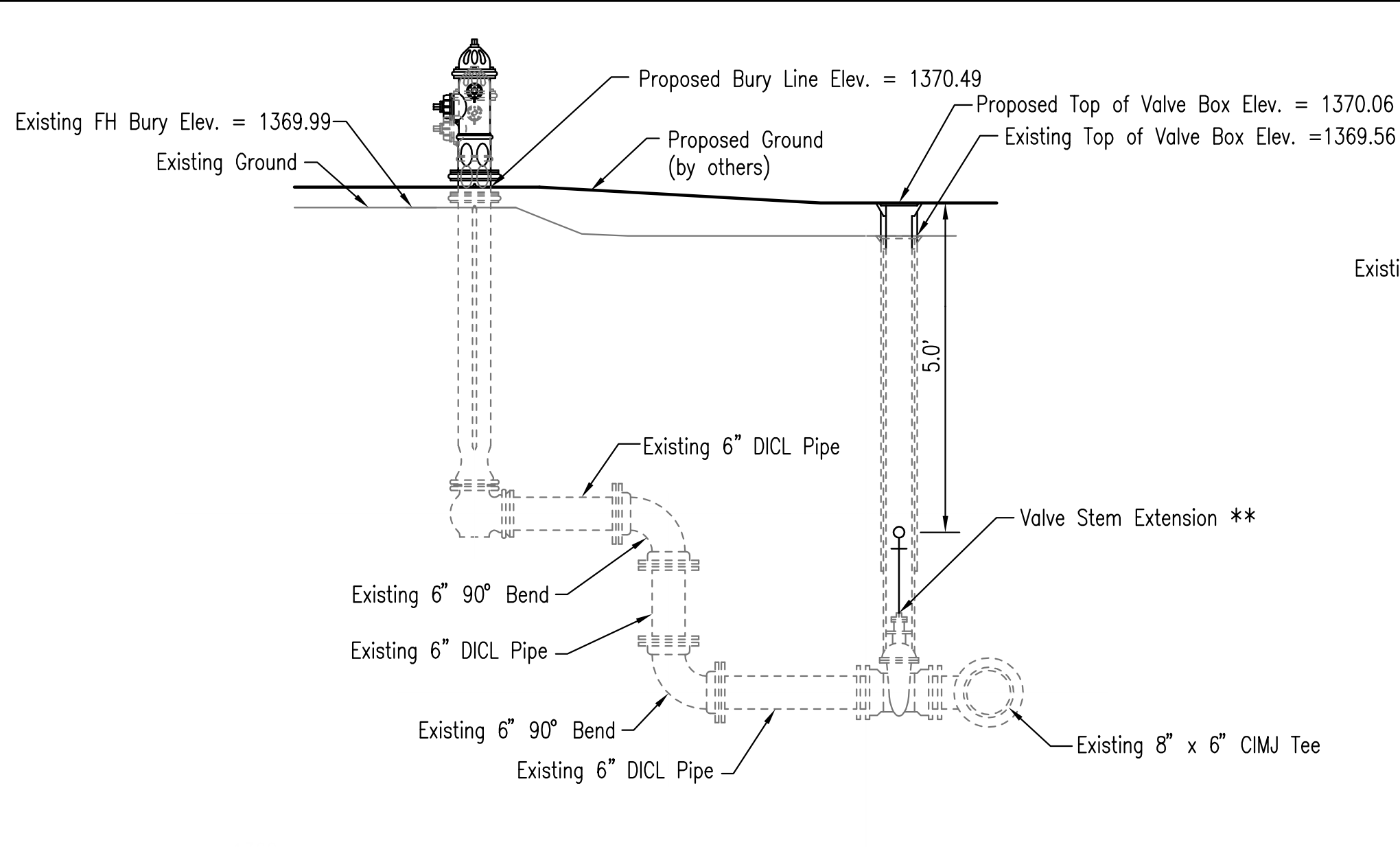
**FH ADJUSTMENT NO. 6 \***

(Plan View, sheet no. B13)

TOTAL HYDRANT ADJUSTMENT = +1.0' (UP)  
TOTAL VALVE ADJUSTMENT = +1.42' (UP)

NOTE: INSTALL 1- 12" FIRE HYDRANT EXTENSION.

CONTRACTOR SHALL VERIFY FIRE HYDRANT BURY DEPTH AND EXISTING EXTENSIONS TO MAKE ADJUSTMENT AS NECESSARY. ALL ADJUSTMENT NOTES ARE FOR AN ASSUMED 5' BURY. CONTRACTOR SHALL PROVIDE NEW FIRE HYDRANT WITH BURY DEPTH AS REQUIRED IF 12" EXTENSION DOES NOT EXIST ON EXISTING FIRE HYDRANT.



(Looking Southerly)  
SCALE: 1" = 1/2'

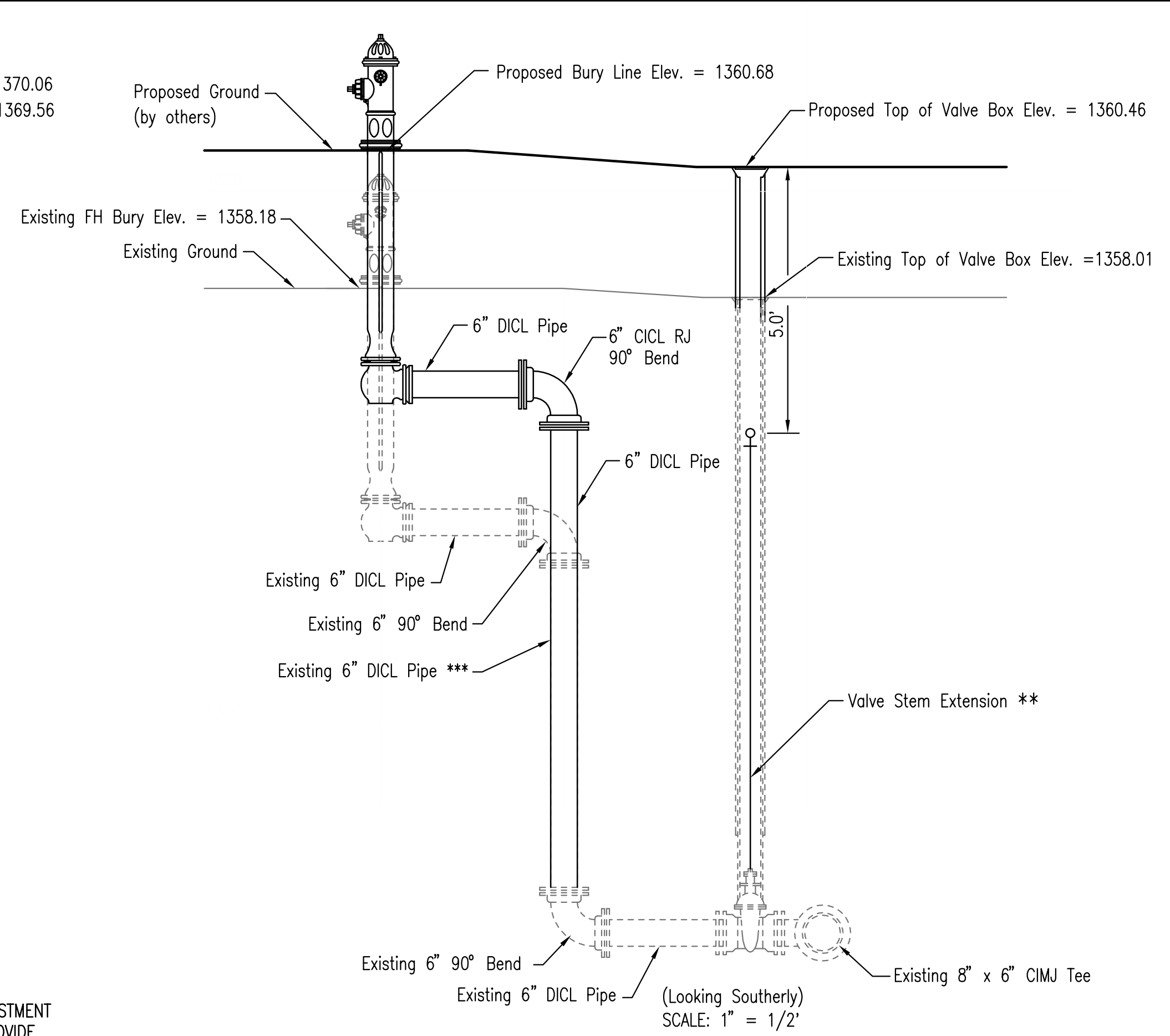
**FH ADJUSTMENT NO. 7 \***

(Plan View, sheet no. B13)

TOTAL HYDRANT ADJUSTMENT = +0.50' (UP)  
TOTAL VALVE ADJUSTMENT = +0.72' (UP)

NOTE: INSTALL 1- 6" FIRE HYDRANT EXTENSION.

CONTRACTOR SHALL VERIFY FIRE HYDRANT BURY DEPTH AND EXISTING EXTENSIONS TO MAKE ADJUSTMENT AS NECESSARY. ALL ADJUSTMENT NOTES ARE FOR AN ASSUMED 5' BURY. CONTRACTOR SHALL PROVIDE NEW FIRE HYDRANT WITH BURY DEPTH AS REQUIRED IF 12" EXTENSION DOES NOT EXIST ON EXISTING FIRE HYDRANT.



(Looking Southerly)  
SCALE: 1" = 1/2'

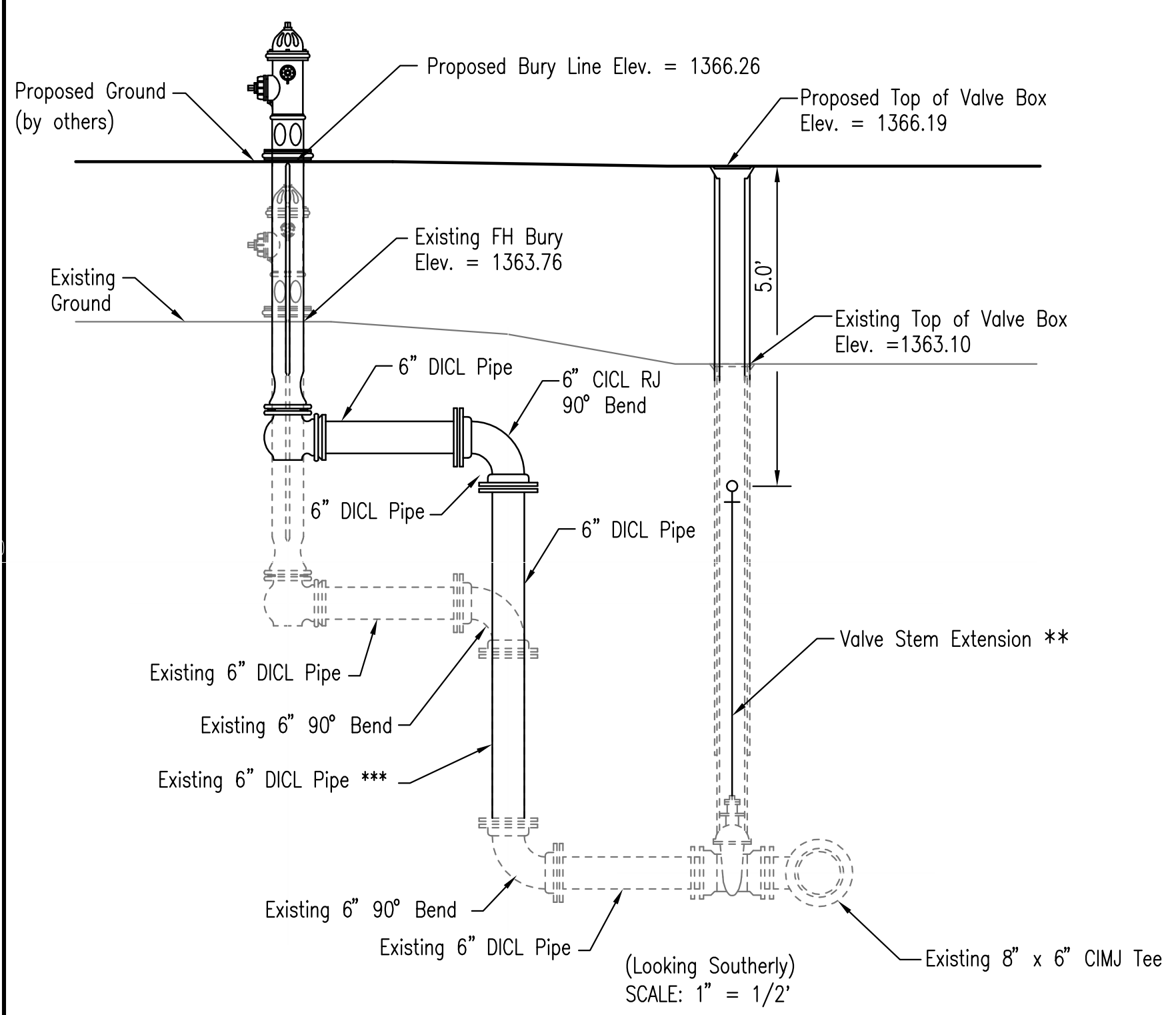
**FH ADJUSTMENT NO. 8 \***

(Plan View, sheet no. B15)

TOTAL HYDRANT ADJUSTMENT = +2.5' (UP)  
TOTAL VALVE ADJUSTMENT = +2.45' (UP)

NOTE: CONTRACTOR SHALL PROVIDE NEW PIPE/FITTING FOR THIS ADJUSTMENT. ALL PIPE/FITTINGS SHALL BE RESTRAINED TO EXISTING PIPING AND FIRE HYDRANT WITH THE USE OF TIE RODS. INSTALL 2 - 12" FIRE HYDRANT EXTENSIONS AND 1-6" FIRE HYDRANT EXTENSION.

CONTRACTOR SHALL VERIFY FIRE HYDRANT BURY DEPTH AND EXISTING EXTENSIONS TO MAKE ADJUSTMENT AS NECESSARY. ALL ADJUSTMENT NOTES ARE FOR AN ASSUMED 5' BURY. CONTRACTOR SHALL PROVIDE NEW FIRE HYDRANT WITH BURY DEPTH AS REQUIRED IF 12" EXTENSION DOES NOT EXIST ON EXISTING FIRE HYDRANT.



(Looking Southerly)  
SCALE: 1" = 1/2'

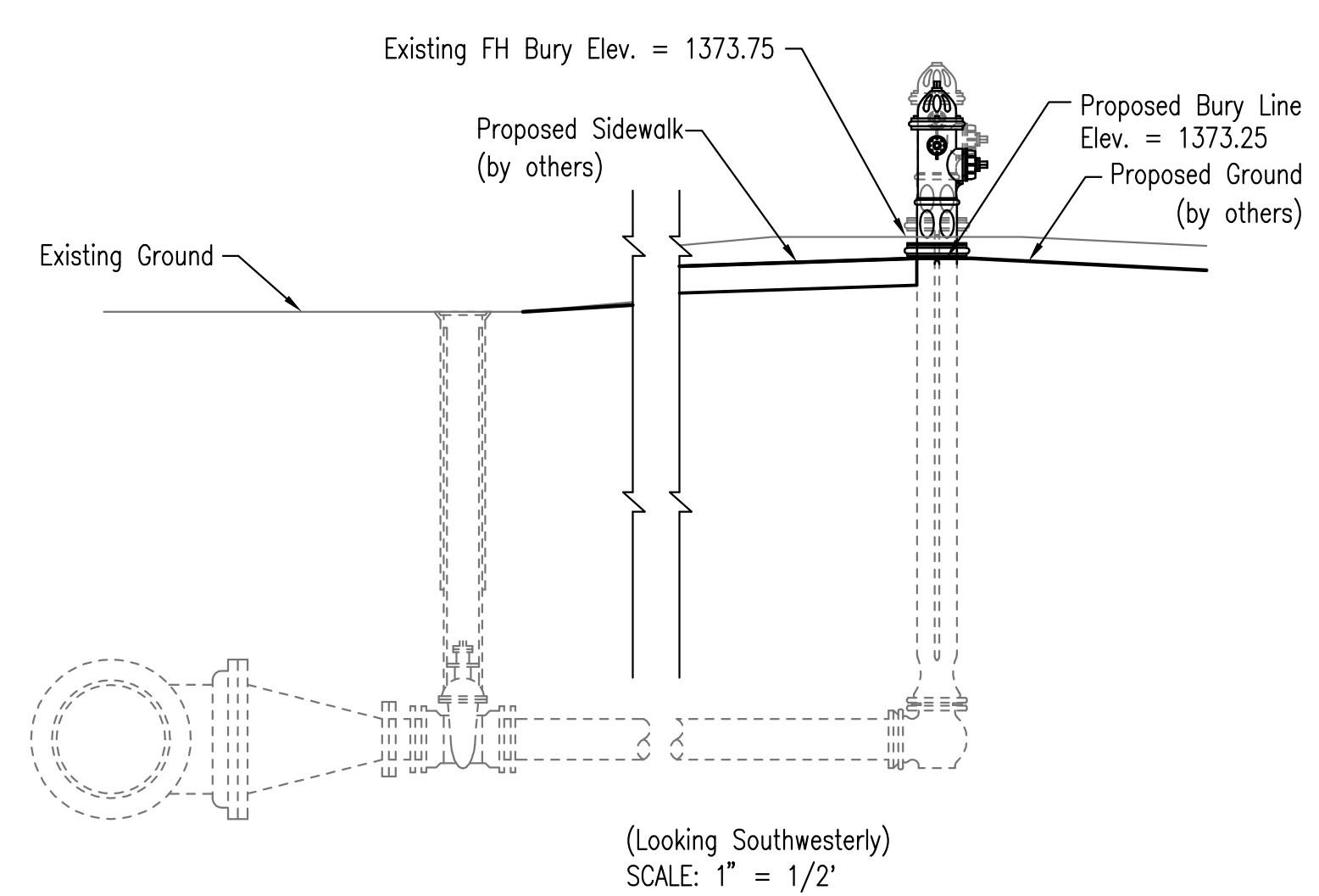
**FH ADJUSTMENT NO. 9 \***

(Plan View, sheet no. B16)

TOTAL HYDRANT ADJUSTMENT = +2.50' (UP)  
TOTAL VALVE ADJUSTMENT = +3.09' (UP)

NOTE: REUSE EXISTING FIRE HYDRANT. PROVIDE PIPE AS REQUIRED TO ACHIEVE PROPOSED BURY LINE ELEVATION.

CONTRACTOR SHALL VERIFY FIRE HYDRANT BURY DEPTH AND EXISTING EXTENSIONS TO MAKE ADJUSTMENT AS NECESSARY. ALL ADJUSTMENT NOTES ARE FOR AN ASSUMED 5' BURY. CONTRACTOR SHALL PROVIDE NEW FIRE HYDRANT WITH BURY DEPTH AS REQUIRED IF 12" EXTENSION DOES NOT EXIST ON EXISTING FIRE HYDRANT.



(Looking Southwesterly)  
SCALE: 1" = 1/2'

**FH ADJUSTMENT NO. 11 \***

(Plan View, sheet no. B26)

TOTAL HYDRANT ADJUSTMENT = -0.50' (DOWN)

NOTE: CONTRACTOR SHALL PROVIDE NEW PIPE/FITTING FOR THIS ADJUSTMENT. ALL PIPE/FITTINGS SHALL BE RESTRAINED TO EXISTING PIPING AND NEW FIRE HYDRANT WITH THE USE OF TIE RODS.

CONTRACTOR SHALL VERIFY FIRE HYDRANT BURY DEPTH AND EXISTING EXTENSIONS TO MAKE ADJUSTMENT AS NECESSARY. ALL ADJUSTMENT NOTES ARE FOR AN ASSUMED 5' BURY. CONTRACTOR SHALL PROVIDE NEW FIRE HYDRANT WITH BURY DEPTH AS REQUIRED IF 12" EXTENSION DOES NOT EXIST ON EXISTING FIRE HYDRANT.

\* EXISTING BURY DEPTH IS BASED ON RECORD INFORMATION. PRIOR TO PERFORMING WORK CONTRACTOR SHALL EXCAVATE TO VERIFY ACTUAL BURY DEPTH OF HYDRANT, NUMBER OF BARREL EXTENSION SECTIONS (AND LENGTHS) AND REPORT FINDINGS TO THE FIELD ENGINEER. COST FOR ADJUSTMENTS TO THE PROPOSED GRADES SHALL BE INCLUDED IN THE LUMP SUM BID PRICE FOR FIRE HYDRANT ADJUSTMENT. CONTRACTOR SHALL PROVIDE ADEQUATE LENGTH OF DICL PIPE IN ORDER TO REUSE THE EXISTING FIRE HYDRANT.

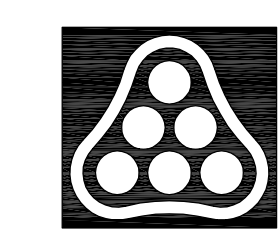
THE CONTRACTOR SHALL ADJUST ALL VALVE BOXES DEPENDANT ON THE MATERIAL COMPOSITION OF THE VALVE BOX. THE 2" SQUARE OPERATING NUT SHALL BE A MAXIMUM OF 5' FROM THE GROUND SURFACE.

IF THE REQUIRED HYDRANT BURY IS IN EXCESS OF 5', BUT LESS THAN 7', CONTRACTOR SHALL USE STANDARD 5' HYDRANT BURY AND HYDRANT BARREL EXTENSIONS AS NECESSARY. IF THE REQUIRED HYDRANT BURY IS GREATER THAN 7', CONTRACTOR SHALL USE 5' HYDRANT BURY, 2-MJ 90° BENDS, 6" ANCHOR COUPLING AND 6" DICL SPOOL PIPE AS NECESSARY FOR VERTICAL ADJUSTMENT. THE CONTRACTOR SHALL PROVIDE ADEQUATE THRUST BLOCKING AT HYDRANT AND MEALUGS, ROD AND LUG OR SIMILAR RESTRAINT BETWEEN 90° BENDS TO SECURE ALL FITTINGS DURING TESTING AND OPERATION. THE CONTRACTOR SHALL PROVIDE A VALVE STEM EXTENSION PER DETAIL THIS SHEET.

\*\* VALVE STEM EXTENSION SHALL BE MODIFIED AS NECESSARY FOR VALVE BOX ADJUSTMENT.

\*\*\* REMOVE EXISTING 6" DICL PIPE AND REPLACE WITH NEW 6" DICL RJ PIPE (NO PIPE JOINTS).

Scaled 08-13-2008 4:36:30 PM by CSL  
 Plot Scale 1:2 09-02-2008 3:00:41 PM  
 02\_V2007\01616\002\01616-002-C-FH\_Ajd\Detail\_02 by BJW



No.	Revision	By	Date
21ST STREET N. - FROM K-96 TO 159TH STREET E. WATERLINE ADJUSTMENTS <b>FH ADJUSTMENT DETAILS</b> JAMES L. ARMOUR, P.E. - CITY ENGINEER CITY OF WICHITA PROJECT NO. 448-90380 <b>Professional Engineering Consultants, P.A.</b> 303 S. TOPEKA • WICHITA, KANSAS 67202 316-262-2691 • FAX 316-262-3003			
Designed by	MDK	Job No.	35-01616-002
Drawn by	CSL, JAN	Date	JANUARY 2003
			Sht. B37 of 40