

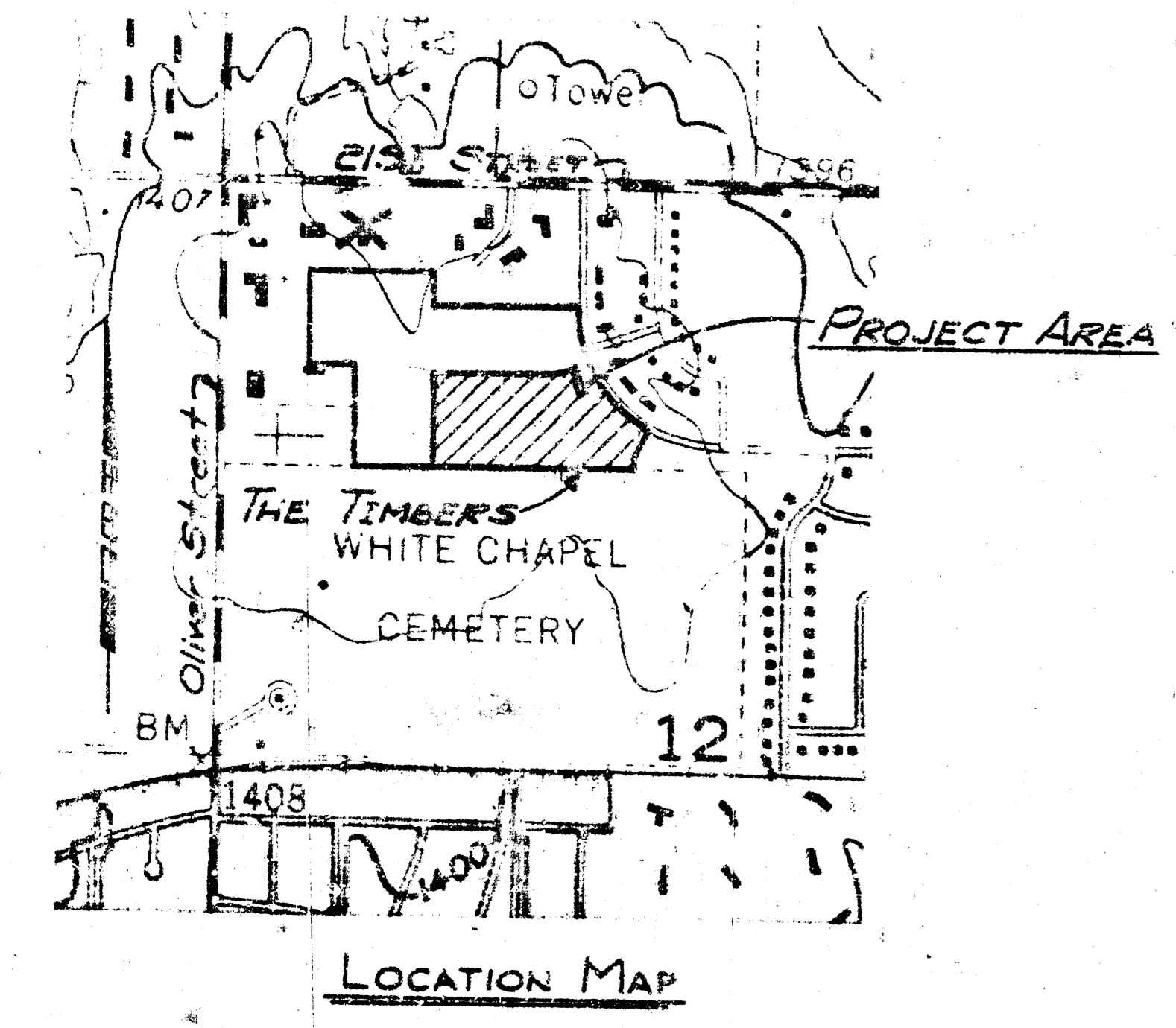
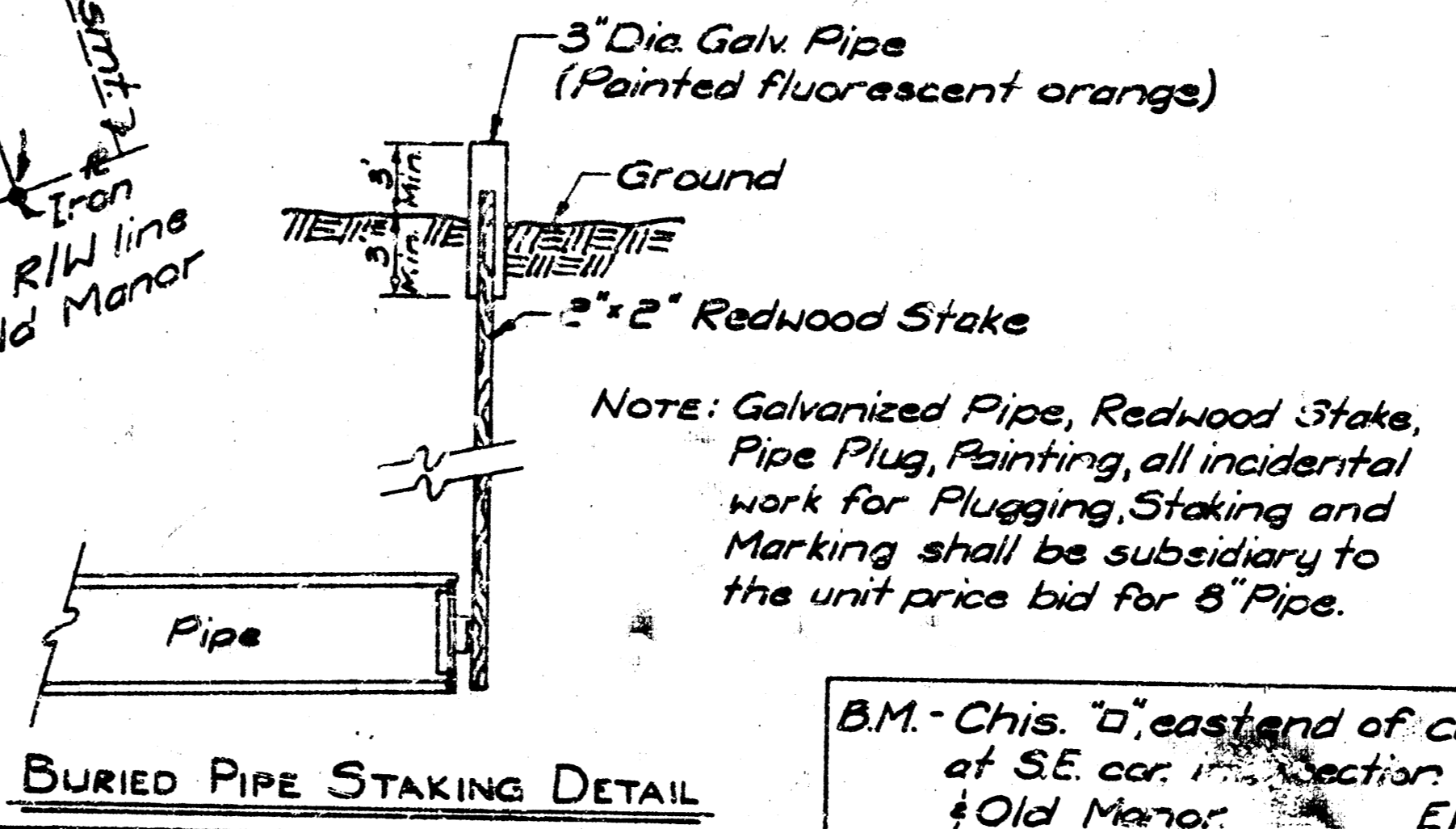
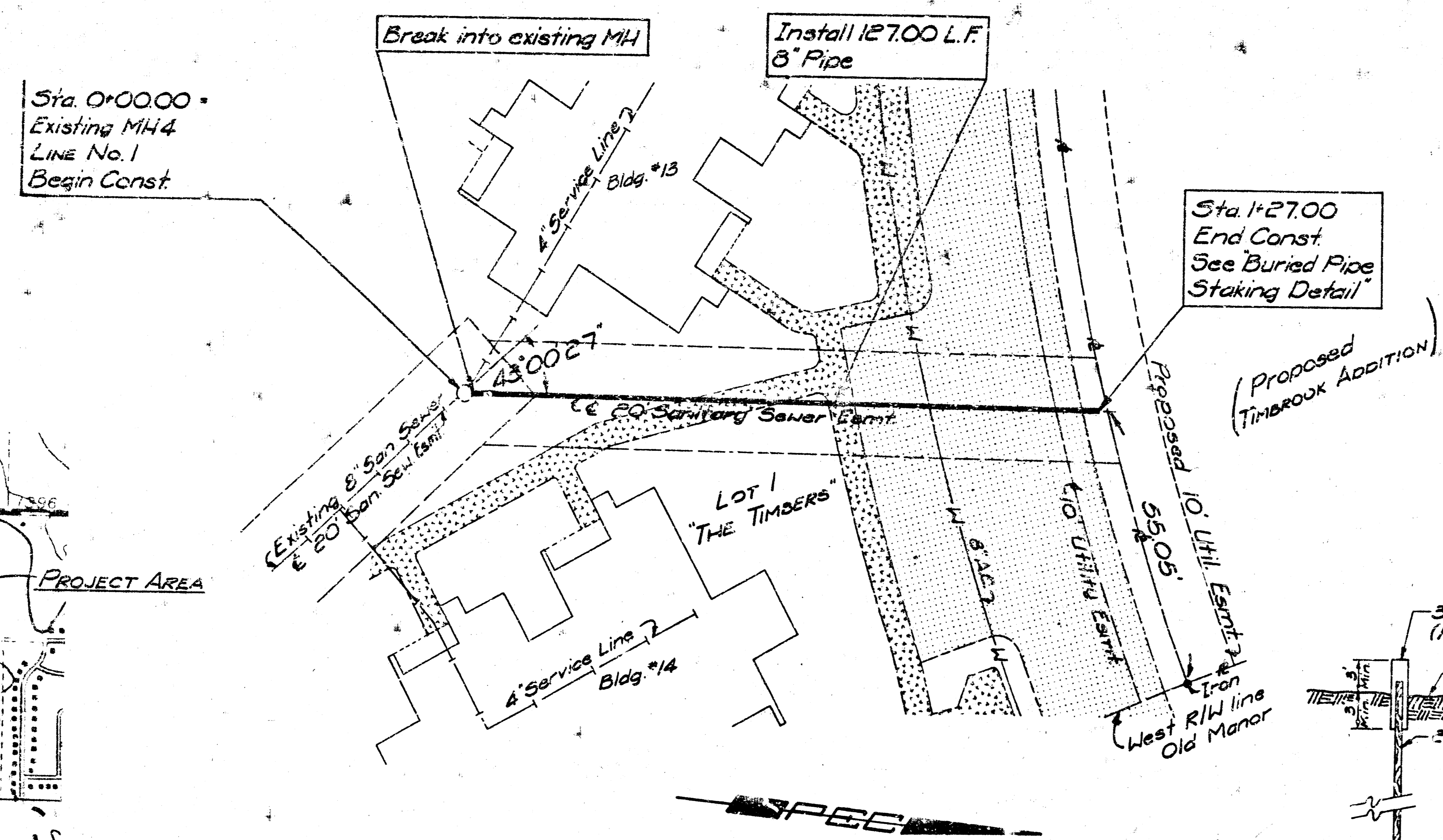
NOTES

1. All construction and materials to comply with standard City of Wichita Specifications.
2. Sewer line to be inspected by the Dept. of Public Works Inspection.
3. Sidewalks, drives, and parking to be constructed under separate contract after completion of sanitary sewer construction.
Sidewalk [Pattern]
Bituminous parking and drive [Pattern]
4. The contractor will be required to notify each of the following utility companies prior to the beginning of construction and should request that any existing lines be flagged:

City of Wichita Water Dept.
455 N. Main St.
268-4557 Benny Gegen
5. The contractor is responsible for supporting and protecting the 8" A.C. Waterline during the period of time it is uncovered and for properly backfilling it in accordance with standard City of Wichita Specifications.
6. The existing 8" Sanitary Sewer and MH4 were constructed under City of Wichita Sanitary Sewer Project No. DBKW 7070G3.

NOTE TO CONTRACTOR
This project will be under the supervision of the City Engineer and conform to the City of Wichita specifications. The contractor will be responsible for all cost of inspection.

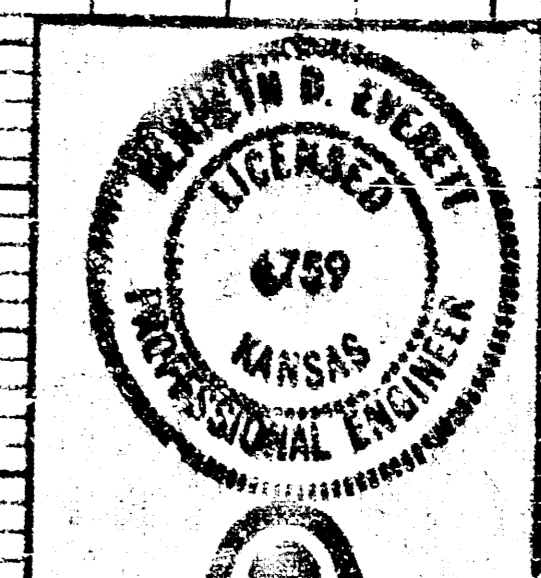
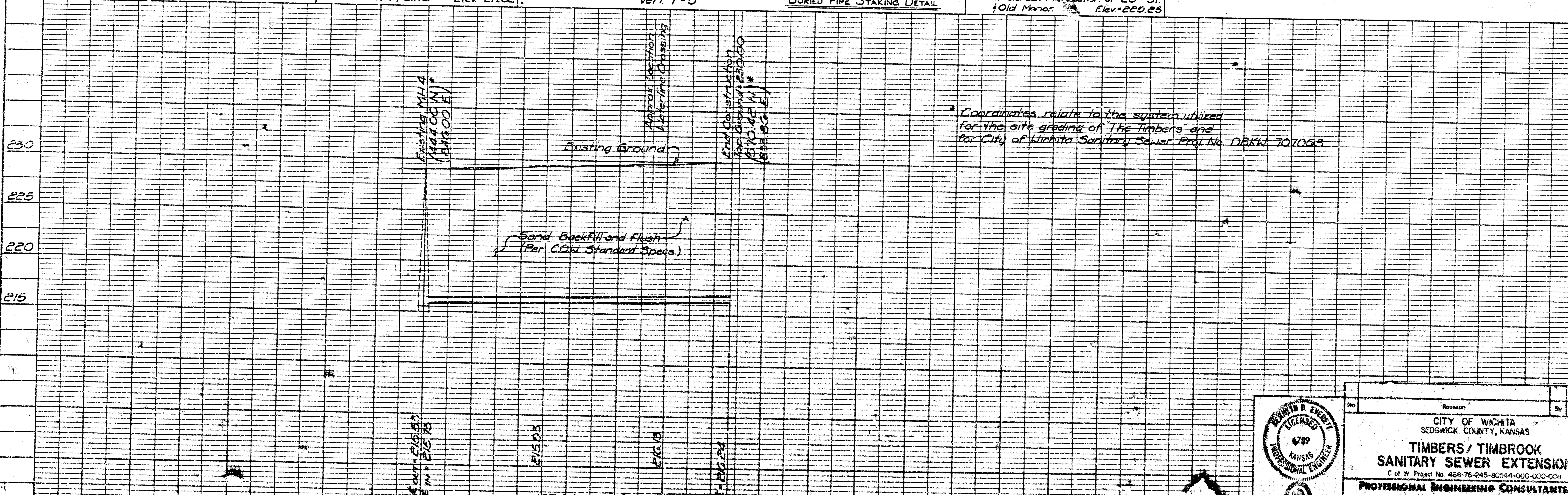
5-20-78
APPROVED AS NOTED
BY CITY ENGINEER
Sanitary Sewers
Drainway Approaches



B.M. - City of Wichita disc, 33' West + 42' North of E Intersection of 21st North + Oliver Elev. = 217.82

SCALE:
PLAN 1"=20'
PROFILE Horiz. 1"=20'
Vert. 1"=5'

B.M. - Chis. 'a' east of curb return at SE cor. 1st Section of 20th St. + Old Manor. Elev. = 220.26



City of Wichita
Sedgwick County, Kansas
TIMBERS / TIMBROOK
SANITARY SEWER EXTENSION
C of W Project No. 458-76-245-80244-000-000-000
PROFESSIONAL ENGINEERING CONSULTANTS