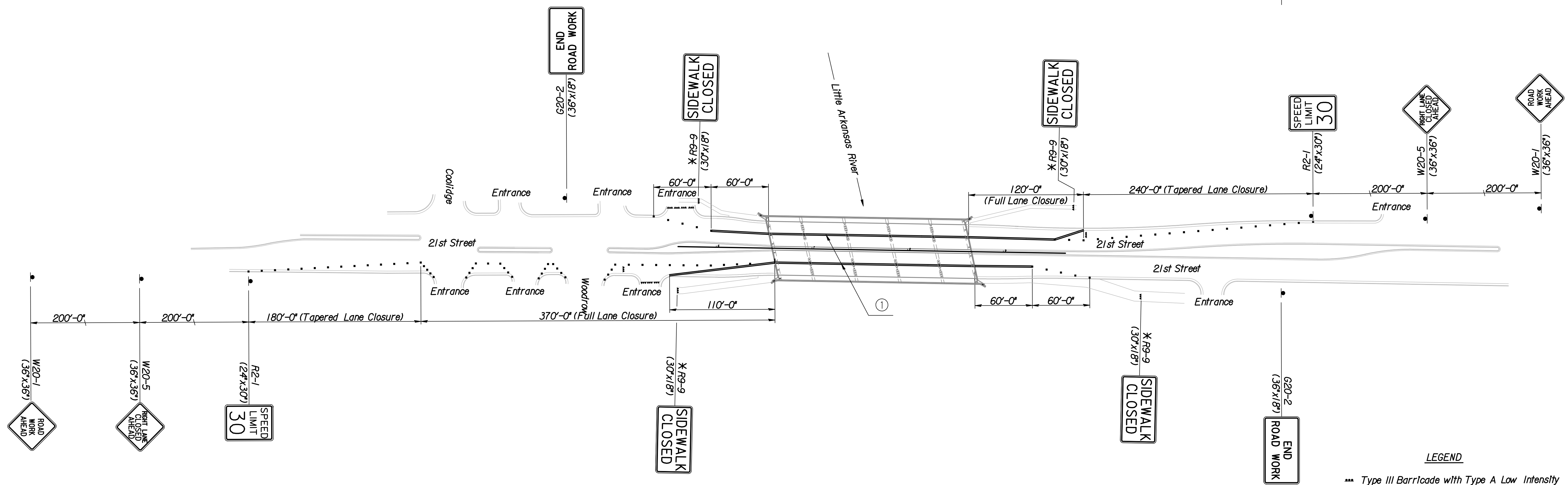
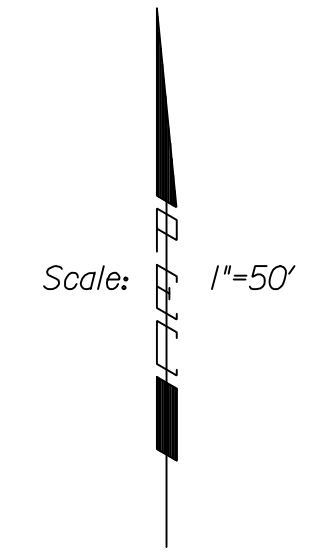


STATE	PROJECT NO.	YEAR	SHEET NO.	TOTAL SHEETS
KANSAS	472-84748	2008	40	52
KDOT PROJECT NO. 87 N-0429-01				



LEGEND

- *** Type III Barricade with Type A Low Intensity Flashing Warning Lights.
- * Sign to be mounted on Type III Barricade
- ① Temporary Concrete Safety Barrier. Contractor shall provide a minimum lane width of 11'-0".

Channelization devices shall have a minimum spacing of 15 feet.

No.	Revisions	By	Date

CITY OF WICHITA
 BR. NO. 430400876500010 STA. 17+62.50
TRAFFIC CONTROL PLAN
PHASE I
21ST STREET OVER LAR
 PROJECT NO. 472-84748 SEDGWICK COUNTY

Professional Engineering Consultants, P.A.
 303 S. TOPEKA • WICHITA, KANSAS 67202
 316-262-2691 • FAX 316-262-3003

Designed by	M.S.N.	Checked by	R.A.S.
Drawn by	M.S.N.	Date	April 2008 Job No. 06009

Plotted by : msn 9-2-2008
 Drawn by : msn
 I:\2006\06009\Final\09_02_2008\06009-000-Traffic-Control_L.dgn