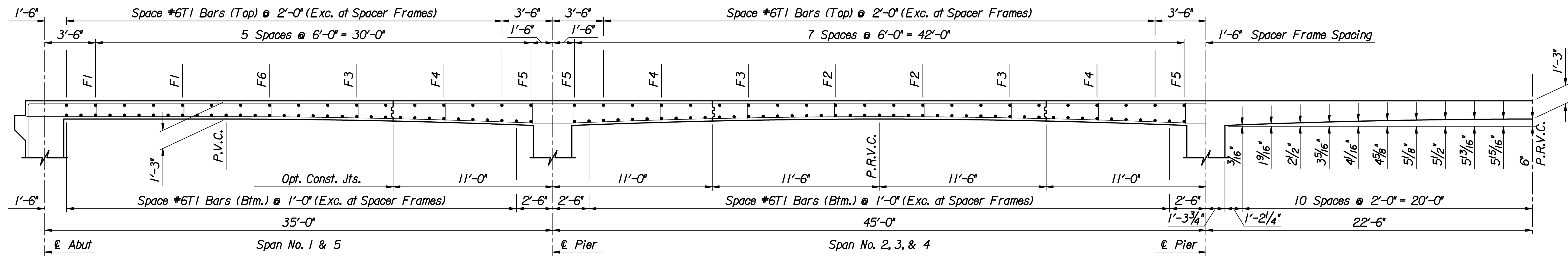
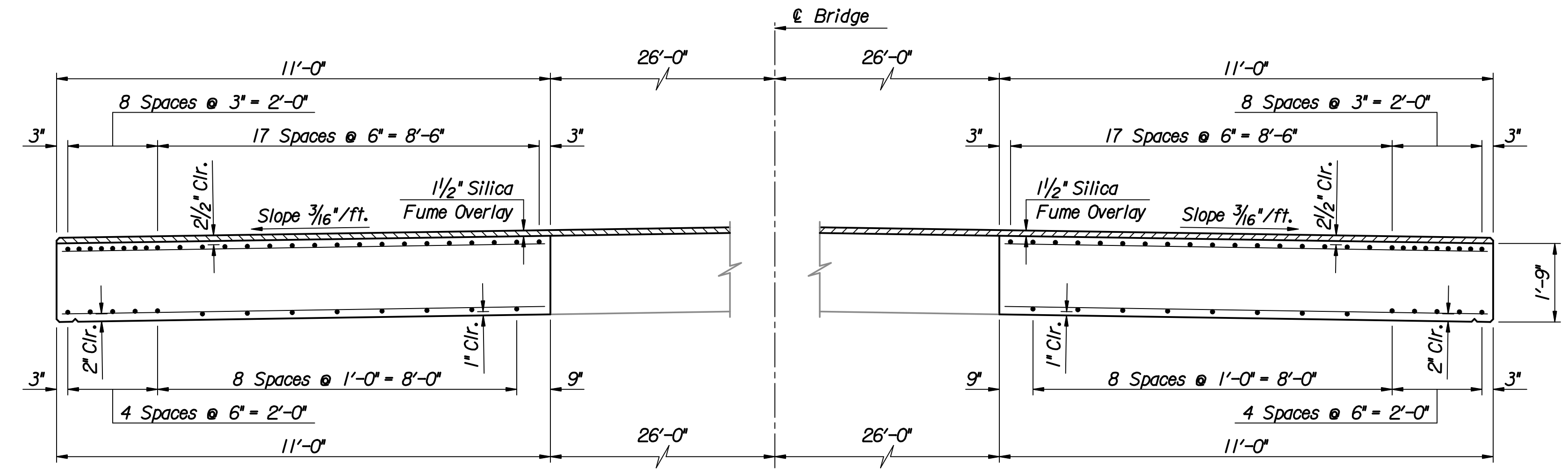


STATE	PROJECT NO.	YEAR	SHEET NO.	TOTAL SHEETS
KANSAS	472-84595	2008	22	43
KDOT PROJECT NO. 87 N-0360-01				

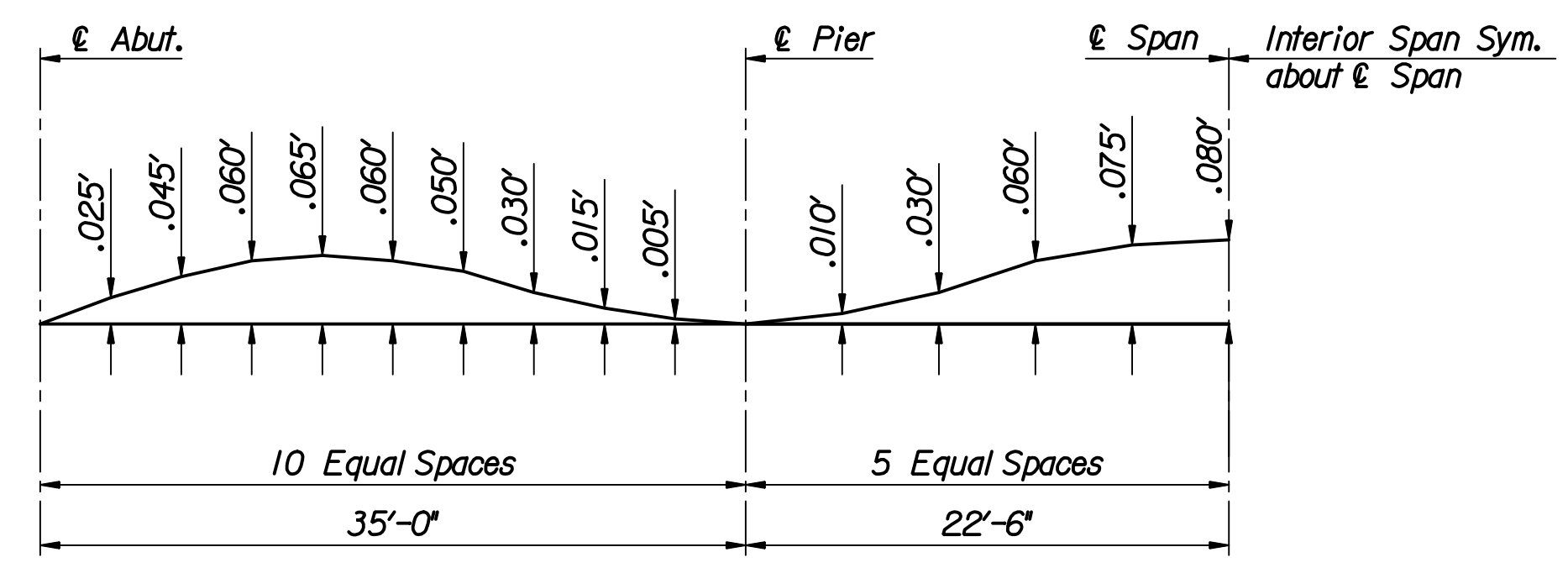


PARTIAL LONGITUDINAL SECTION

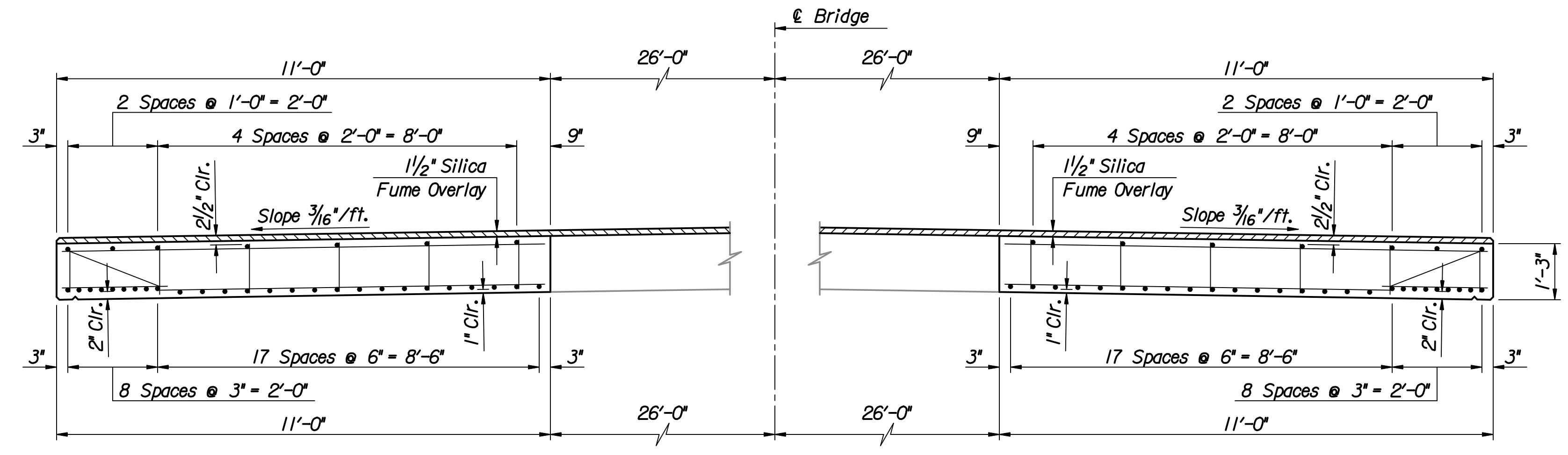
HAUNCH ORDINATES



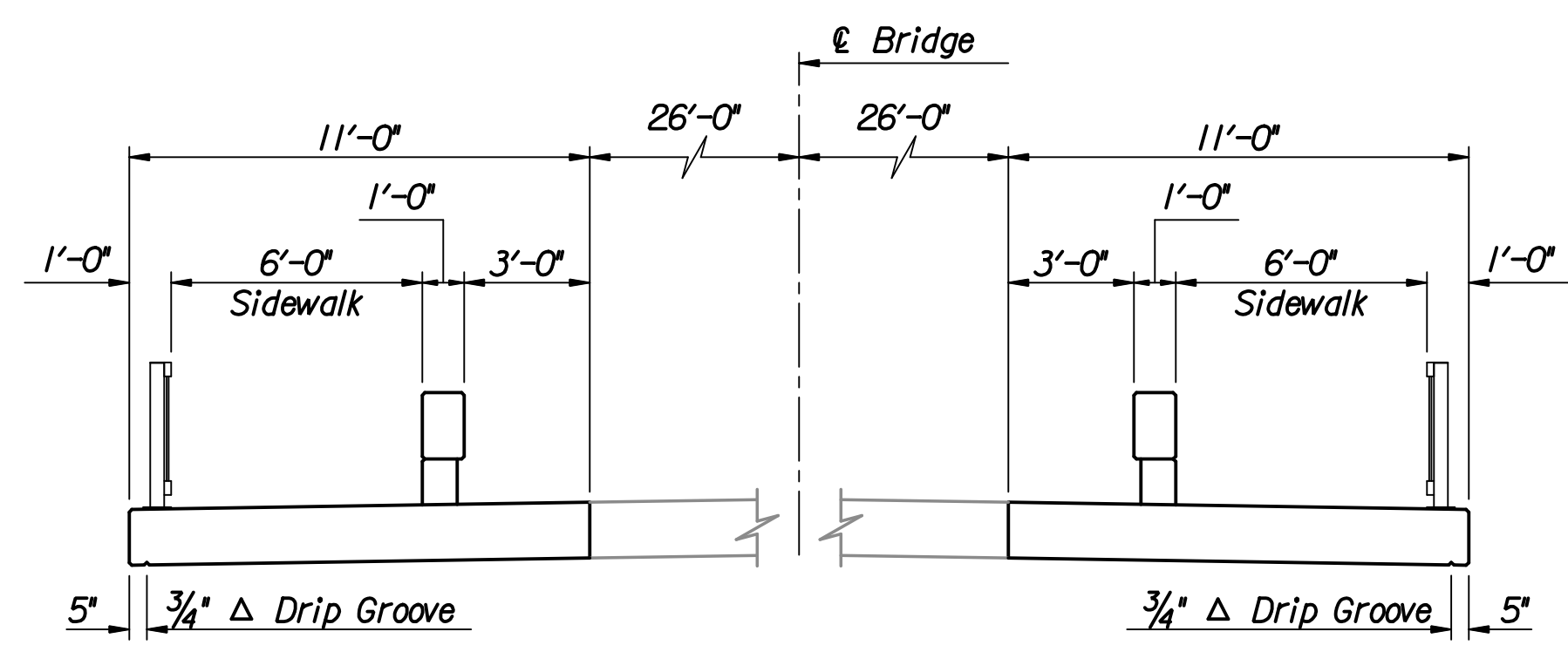
TYPICAL SECTION
Near Pier



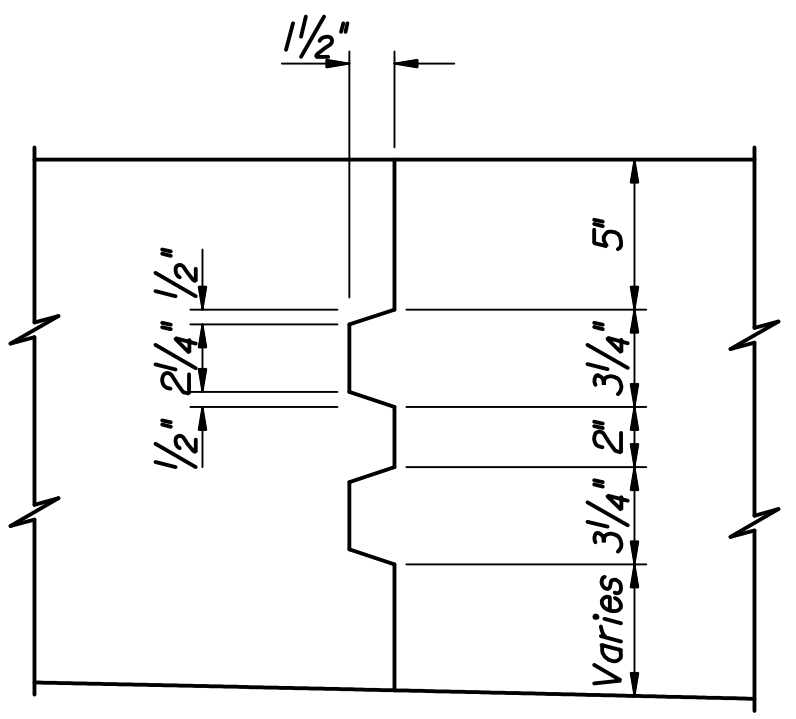
DEAD LOAD CAMBER DIAGRAM



TYPICAL SECTION
Near Midspan
(Transverse reinforcing lapped to existing)



TYPICAL SECTION



CONSTRUCTION JOINT
Optional

Plotted by : msn 9-3-2008
 Drawn by : msn
 I:\2006\06008\Final\09_02_2008\06008-000-MiscSSdef.dgn

No.	Revisions	By	Date
CITY OF WICHITA BR. NO. 530400870LAR100 STA. 69+55.00 PROPOSED SUPERSTRUCTURE DETAILS 25TH STREET OVER LAR PROJECT NO. 472-84595 SEDGWICK COUNTY			
Professional Engineering Consultants, P.A. <small>303 S. TOPEKA • WICHITA, KANSAS 67202 316-262-2691 • FAX 316-262-3003</small>			
Designed by	M.S.N.	Checked by	R.A.S.
Drawn by	M.S.N.	Date	Apr 11 2008 Job No. 06008