

STATE	PROJECT NO.	YEAR	SHEET NO.	TOTAL SHEETS
KANSAS	472-84595	2008	25	43
KDOT PROJECT NO. 87 N-0360-01				

GENERAL NOTES

The horizontal members of the Rail and Posts shall be hollow structural tubing. All structural steel tubing shall comply to A.S.T.M. designation A36 or A500 Grade B respectively.

Rail shall be fabricated in lengths as shown from joint to joint and joint to end.

Post and Bars shall be set vertical and shimmed if required.

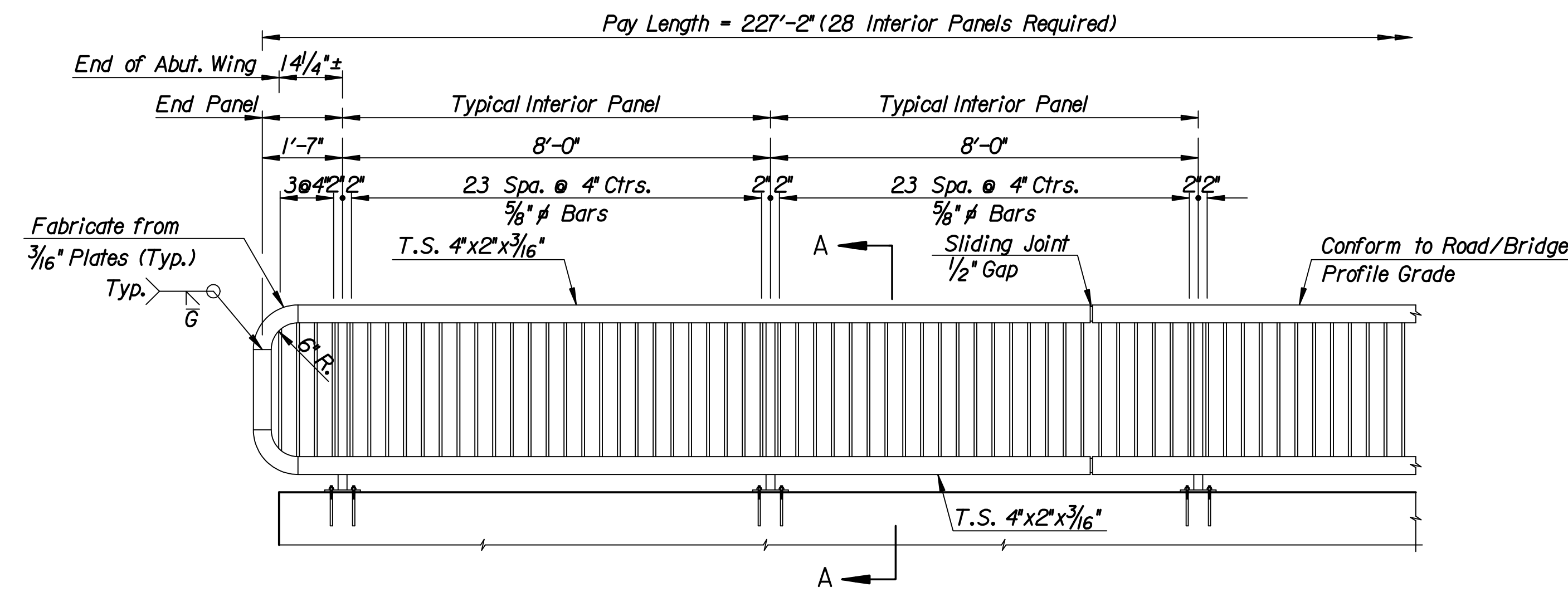
Prior to painting abrasive blast to commercial finish SSPC-SP6 to obtain a surface profile of 1-1/2 Mils. The shop and field coats applied to structural steel shall conform to an inorganic Zinc Primer with water-borne Acrylic finish coat. (The finish coat shall match Carboline C-900) Provide a color sample to the Engineer with shop drawing submittal.

Material and construction shall conform to the structural welding code A.W.S. D1.1-01.

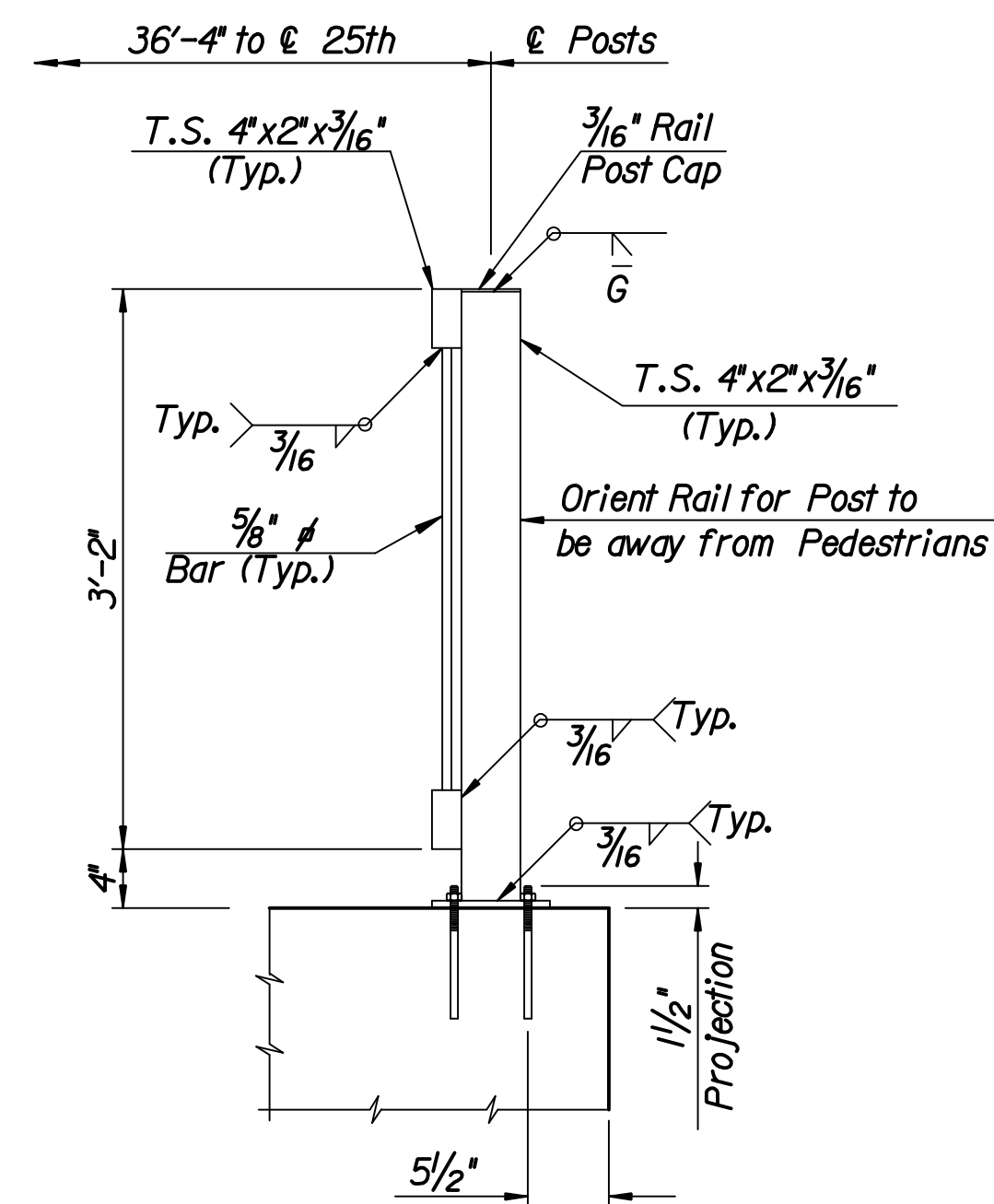
Shop details must be submitted and approved by the Engineer.

Slope of Handrail shall match the slope of the Wingwall.

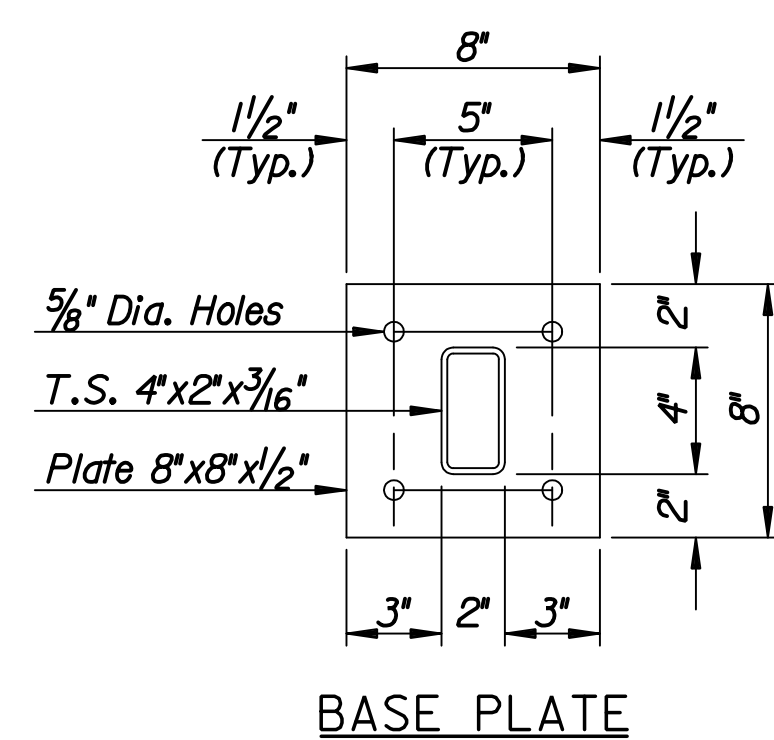
All work associated with furnishing and installing Handrail shall be paid for as "Bridge Handrail (Steel)(Pedestrian)".



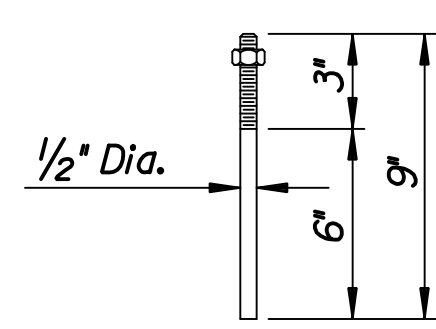
HANDRAIL ELEVATION



SECTION A-A

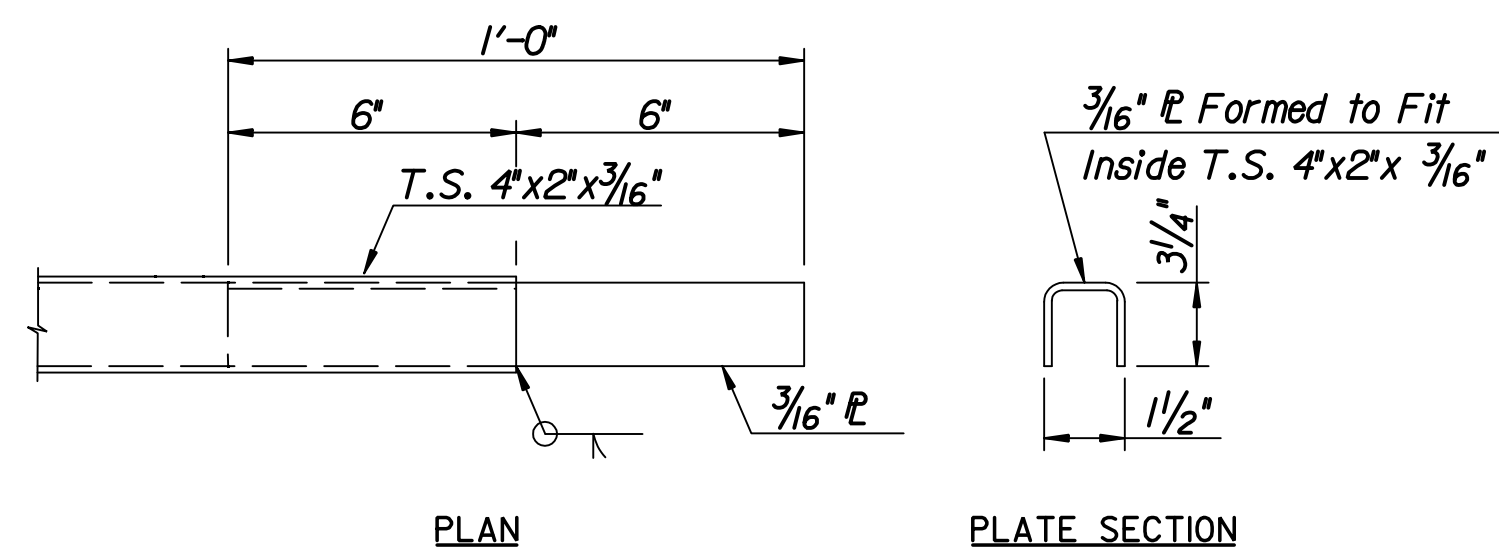


BASE PLATE



ANCHOR BOLT

(May substitute expandable anchor bolts when approved by the Engineer)



PLAN

PLATE SECTION

SLIDING JOINT DETAIL

NOTE : Sliding Joints, when required, on interior panels shall be centered 2'-0" from posts.

Plotted by : msn 9-3-2008
 Drawn by : msn
 I:\2006\06008\Final\09_02_2008\06008-000-Handrail.dgn

No.	Revisions	By	Date
CITY OF WICHITA BR. NO. 530400870LARI00 STA. 69+55.00 HANDRAIL DETAILS 25TH STREET OVER LAR PROJECT NO. 472-84595 SEDGWICK COUNTY			
Professional Engineering Consultants, P.A. 303 S. TOPEKA • WICHITA, KANSAS 67202 316-262-2691 • FAX 316-262-3003			
Designed by	M.S.N.	Checked by	R.A.S.
Drawn by	M.S.N.	Date	Apr 11 2008 Job No. 06008