

STATE	PROJECT NO.	YEAR	SHEET NO.	TOTAL SHEETS
KANSAS	472-84595	2008	38	43
KDOT PROJECT NO. 87 N-0360-01				

### GENERAL NOTES

- 1) The use of Straw or Hay Bales, Silt Fence or Biodegradable Logs is at the option of the Contractor.
- 2) The slope barriers shall be placed along contour lines, with a short section turned upgrade at each end of the barrier.
- 3) At culverts, the Straw or Hay Bales or Silt Fence shall be placed over the culvert, not through the streambed flowline.
- 4) Barriers damaged by Contractor's negligence, including improper maintenance or lack of maintenance, shall be repaired immediately by Contractor at no additional cost to KDOT.
- 5) Agricultural products, such as native prairie hay, used for mulching and erosion control practices, excluding wood based mulch, shall meet the North American Weed Free Forage Standards.

### INSTALLATION NOTES

#### STRAW OR HAY BALES:

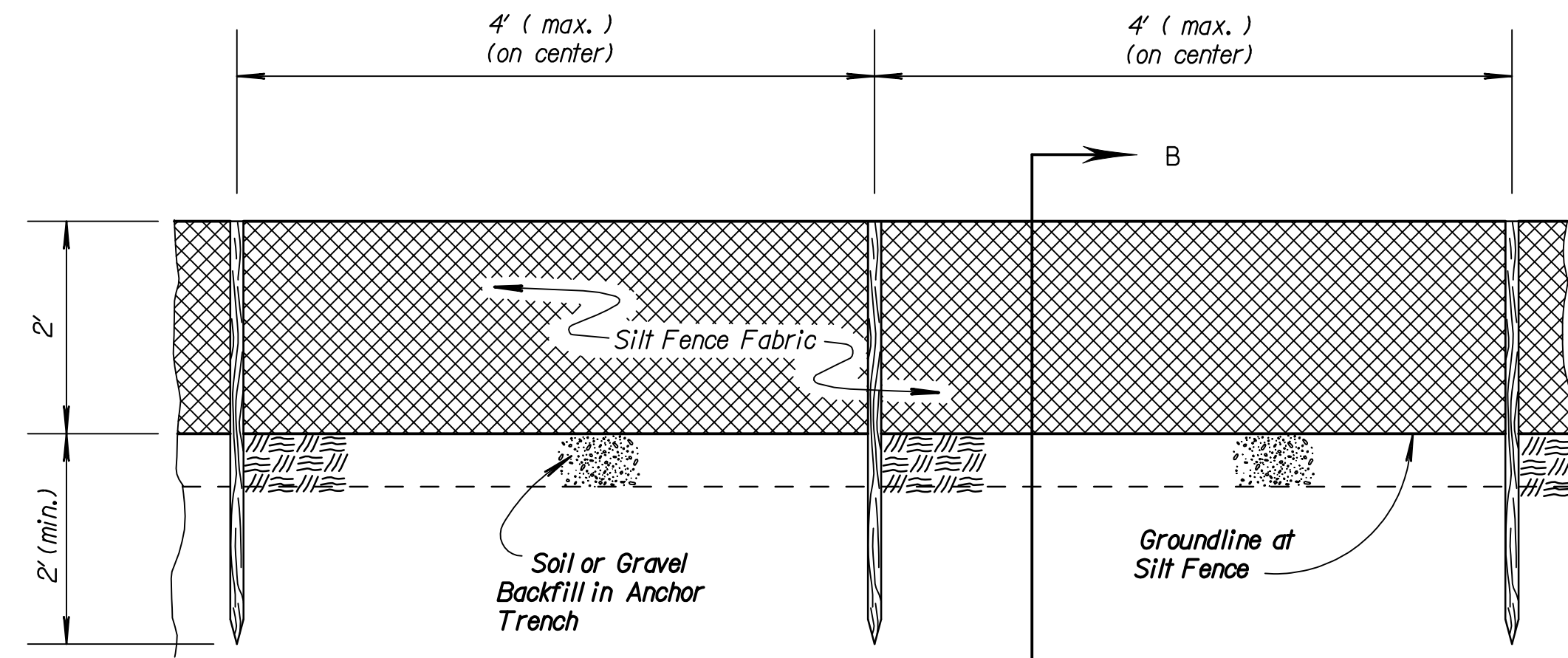
1. Place bales tightly together, with loose straw or hay wedged between bales to close off openings.
2. Wood stakes shall be 2" x 2" (nom.) x 4' (min.) long.
3. Refer to plans sheets to estimate the length of bales required.
4. Use only twine to bind bales. The use of wire binding is prohibited because it does not readily biodegrade.

#### SILT FENCE:

1. Stakes shall be 4' (min.) long and of one of the following materials:
  - a. Hardwood - 1 3/16" x 1 3/16";
  - b. Southern Pine (No. 2) - 2 5/8" x 2 5/8";
  - c. Steel U, T, L, or C Section - 1.33 lbs. per 1'-0"; or
  - d. Synthetic - same strength as wood stakes.
2. Attach fence fabric to stakes with staples, wire or nails.
3. Refer to plan sheets to estimate the length of Silt Fence required.

#### BIODEGRADABLE LOG BARRIERS

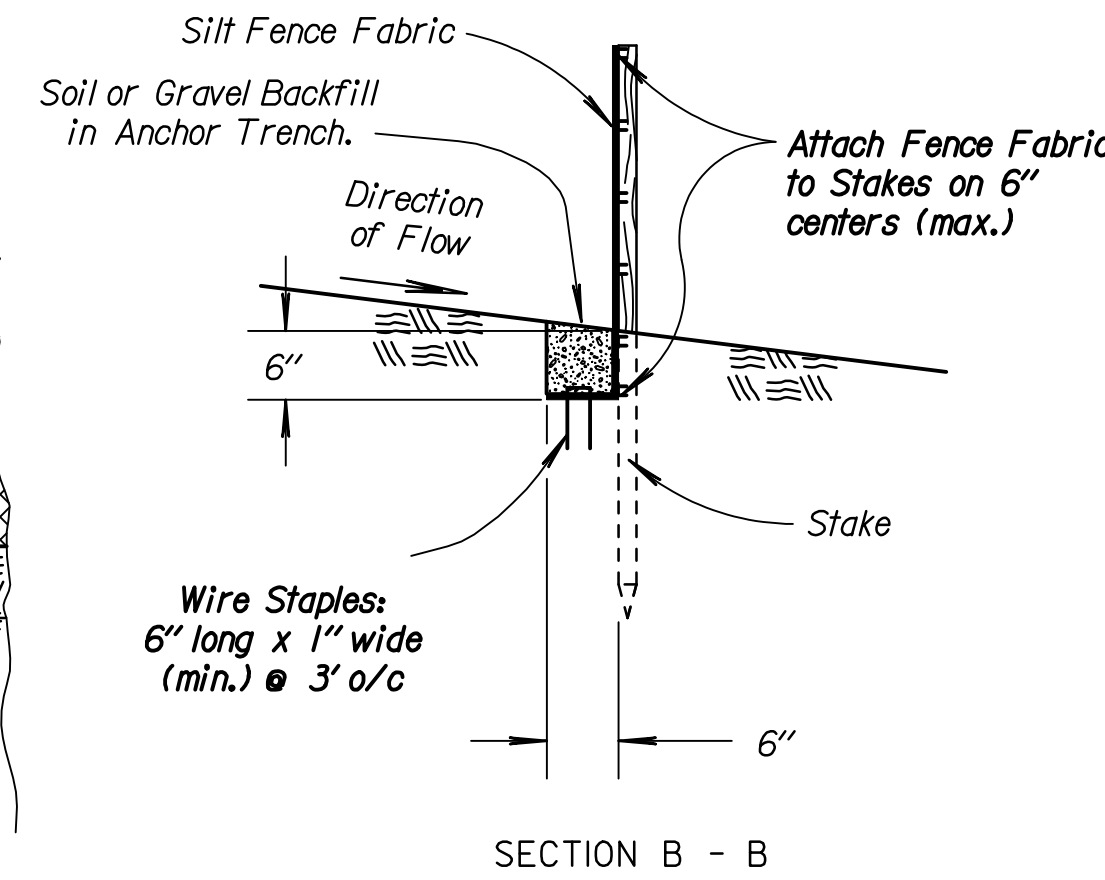
1. Place biodegradable logs tightly together.
2. Wood stakes shall be 2" x 2" (nom.) x 4' (min.) long.
3. Wire staples shall be 6" long x 1" wide (min.) and placed on 3' (max.) centers.
4. Refer to plan sheets to estimate length of biodegradable log barriers required.



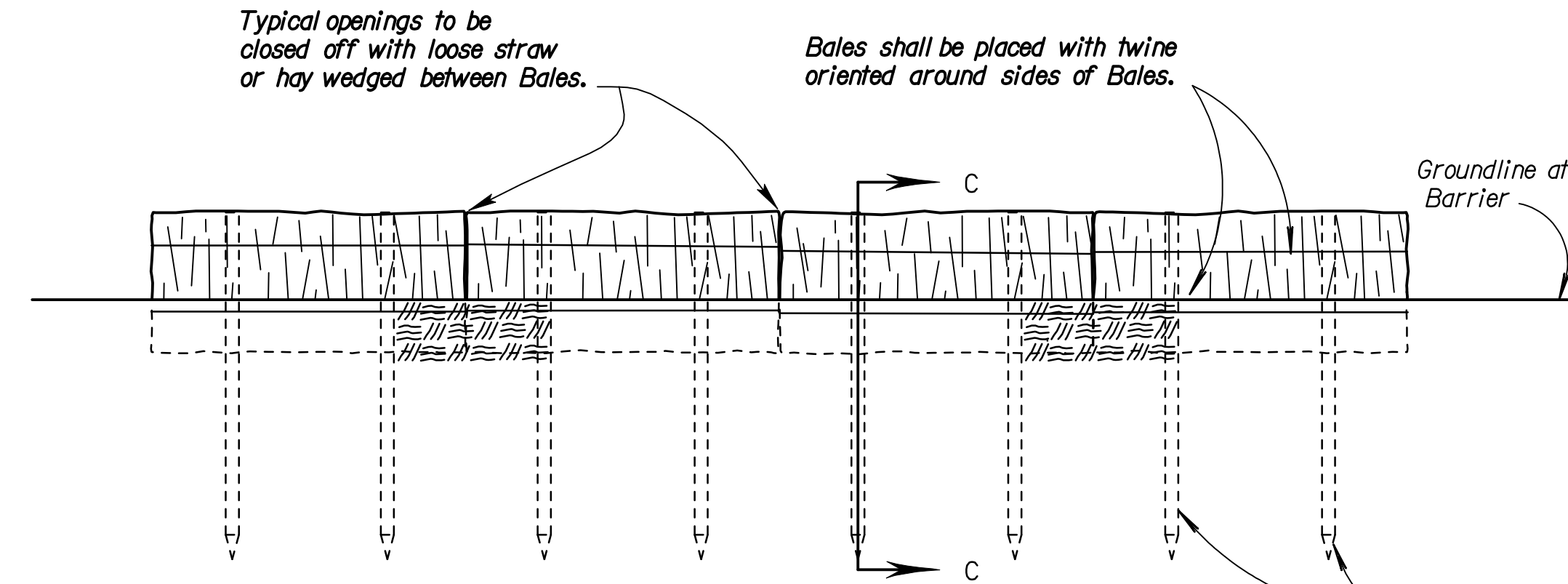
TYPICAL ELEVATION

### SILT FENCE SLOPE BARRIER

NO SCALE



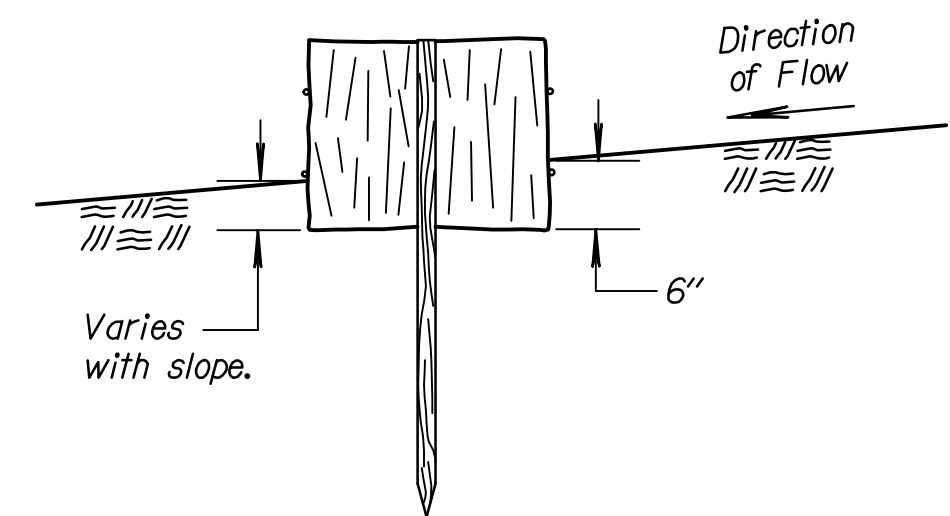
SECTION B - B



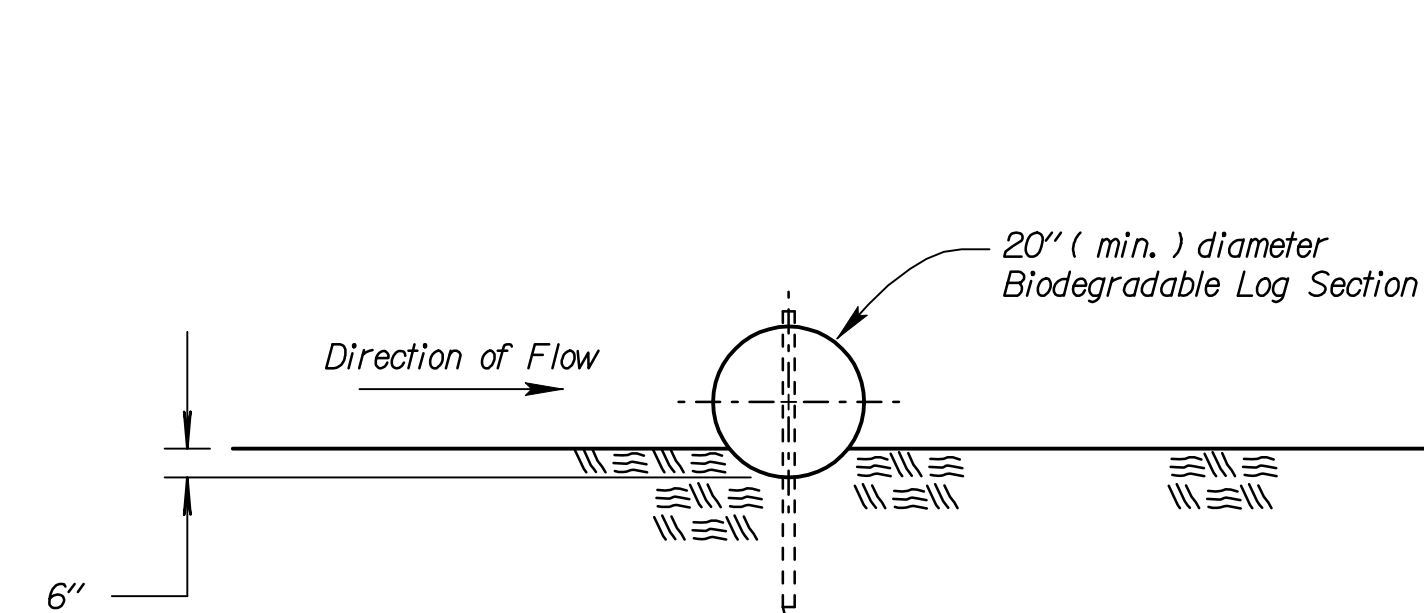
TYPICAL ELEVATION

### STRAW BALE SLOPE BARRIER

NO SCALE



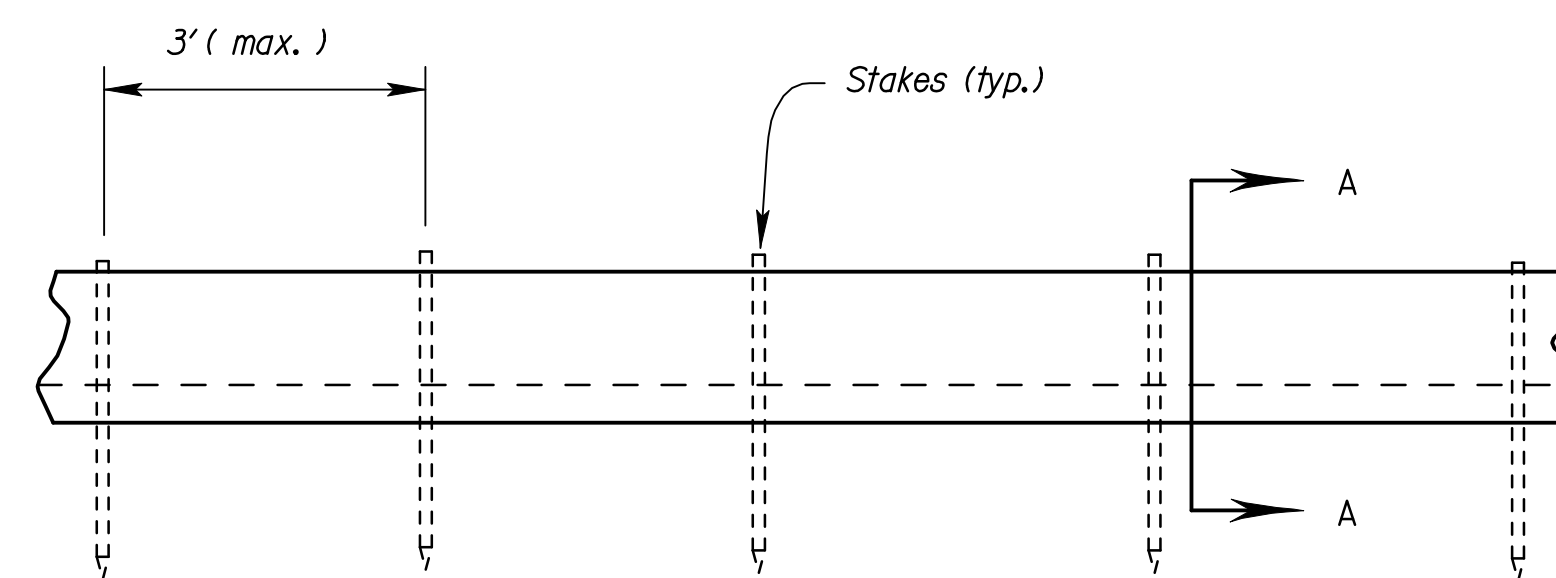
SECTION C - C



SECTION A - A

### BIODEGRADABLE LOG SLOPE BARRIER

NO SCALE



TYPICAL ELEVATION

Std. Base File: la852d.dgn  
 Plotted By: unfiled  
 File: I:\2006\06008\trm\09\_02\_2008\06008-000-La852d.dgn  
 Plot Date: 9/3/2008

3	9/10/07	Revised Standard	MRM	SHS
2	6/16/05	Revised Standard	MRM	SHS
1	5/10/99	Revised Standard	WCL	RDR
NO.	DATE	REVISIONS	BY	APP'D
<b>KANSAS DEPARTMENT OF TRANSPORTATION</b> <b>TEMPORARY EROSION AND POLLUTION CONTROL</b> <b>STRAW OR HAY BALE SLOPE BARRIERS</b> <b>SILT FENCE SLOPE BARRIERS</b> <b>BIODEGRADABLE LOG SLOPE BARRIERS</b> <b>LA852D</b>				
F.H.W.A. APPROVAL	6/22/2005	APP'D	Scott H. Shields	MRM
DESIGNED	MRM	DETAILED	MRM	QUANTITIES
DESIGN CK.	SHS	DETAIL CK.	SHS	QUAN. CK.
				TRACED
				TRACE CK.
				SHS