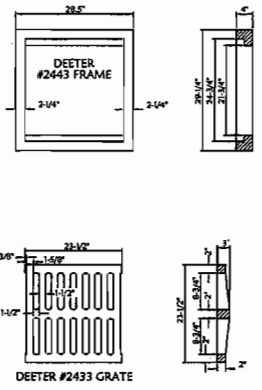


The bolt holes are provided for the installation of tie bolts between the flared end section and the adjacent pipe.

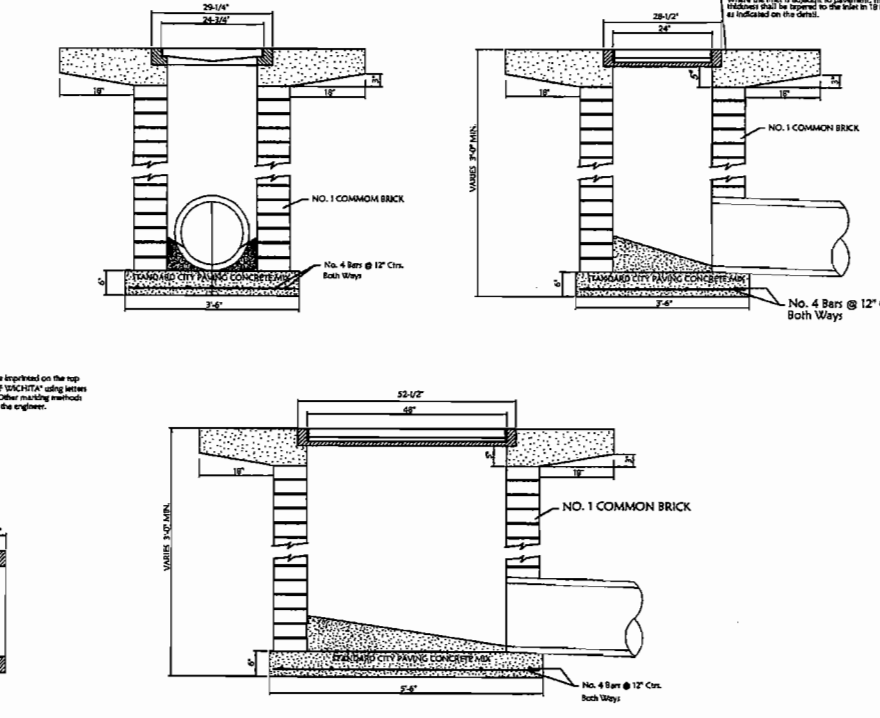
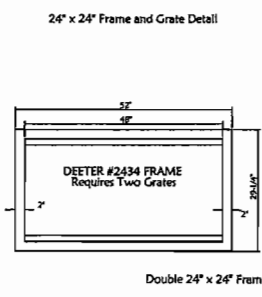
PIPE DIAMETER D INCHES	OUTLET INCHES	INLET INCHES	X TO Y INCHES	T INCHES	A INCHES	B INCHES	F INCHES	G INCHES	WEIGHT PER SECTION LBS.
12	6'-0"	6'-0"	2.4 to 1	2	4	24	24	2	930
15	6'-0"	6'-0"	2.4 to 1	2 1/4	6	27	30	2 1/4	740
18	6'-0"	6'-0"	2.3 to 1	2 1/2	9	27	36	2 1/2	990
21	6'-0"	6'-0"	2.4 to 1	2 3/4	9	36	42	2 3/4	1280
24	6'-0"	6'-0"	2.5 to 1	3	9 1/2	43 1/2	48	3	1930
27	6'-0"	6'-0"	2.5 to 1	3 1/4	10 1/2	49 1/2	54	3 1/4	1930
30	6'-0"	6'-0"	2.5 to 1	3 1/2	12	54	60	3 1/2	2190
33	6'-0"	6'-0"	2.5 to 1	3 3/4	13 1/2	59 1/2	66	3 3/4	2380
36	6'-0"	6'-0"	2.5 to 1	4	15	63	72	4	4000
42	8'-2"	7'-9 1/2"	2.5 to 1	4 1/2	21	63	78	4 1/2	5380
48	8'-2"	7'-9 1/2"	2.5 to 1	5	24	72	84	5	6590
54	8'-2 1/2"	7'-9 1/2"	2.0 to 1	5 1/2	27	65	90	5 1/2	8240
60	8'-3"	7'-10"	1.9 to 1	6	35	65	96	6	8730
66	8'-3"	7'-10"	1.7 to 1	6 1/2	30	72	102	6 1/2	10710
72	8'-3"	7'-10"	1.8 to 1	7	36	78	108	7	12330
78	9'-3"	8'-10"	1.8 to 1	7 1/2	36	90	114	6 1/2	14770
84	9'-3 1/2"	8'-10 1/2"	1.5 to 1	8	36	90 1/2	120	6 1/2	18150
90	9'-3 1/2"	8'-10 1/2"	1.5 to 1	8 1/2	41	87 1/2	132	6 1/2	20900

End section is manufactured in accordance with applicable portions of ASTM Specifications C76.

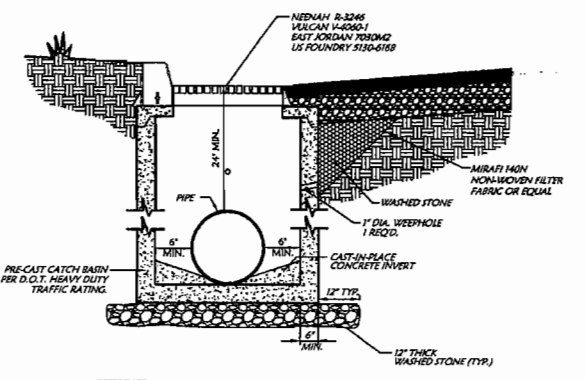
NON-GASKETED PIPE FLARED END SECTIONS



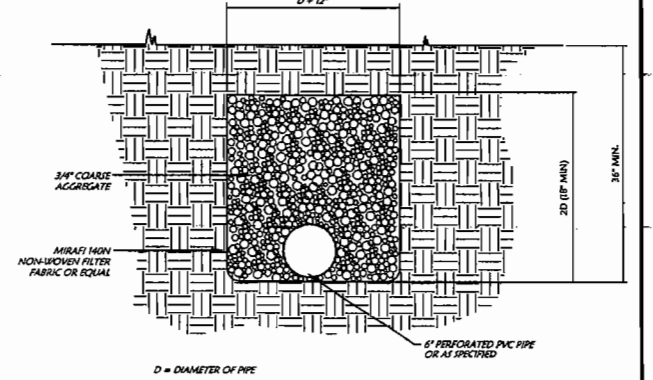
NOTE: Grits shall be impressed on the top surface with "CITY OF WICHITA" using letters at least 1/8" in height. Other marking methods may be approved by the engineer.



CITY OF WICHITA, KANSAS DROP INLET DETAIL



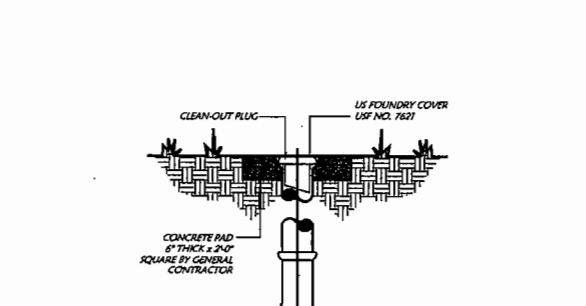
CURB INLET



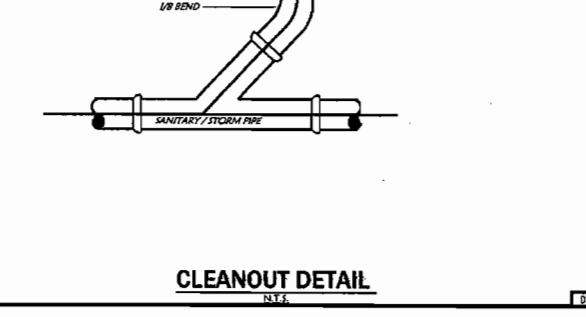
FRENCH DRAIN

REFERENCE SECTION 0260 OF LOWE'S DIVISION 2 STANDARD SITE SPECIFICATIONS AND PROJECT SPECIAL PROVISIONS

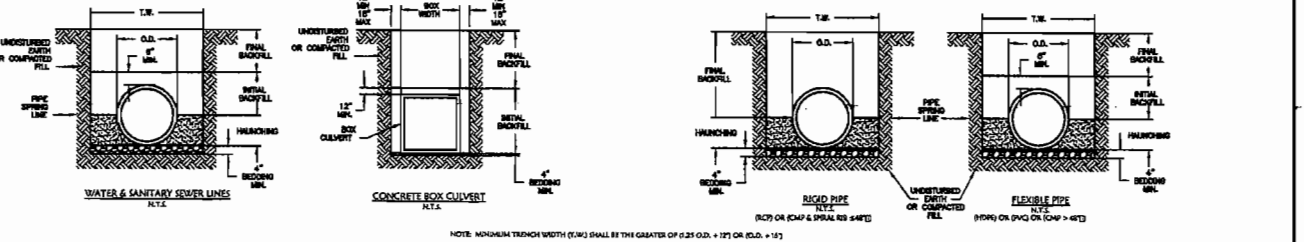
D = DIAMETER OF PIPE
TO BE UTILIZED AS DIRECTED BY THE GEOTECHNICAL ENGINEER AND/OR AS SHOWN ON THE PLANS.



CONCRETE FLUME



CLEANOUT DETAIL



TRENCH AND BEDDING DETAILS

GENERAL NOTES

1. BEDDING SHALL BE CLASSIFIED AS REQUIRED BY LOCAL OR STATE CODES PERMITTING WITH GEOTECHNICAL ENGINEER AND OTHER APPROVAL. MATERIAL SHALL BE USED FOR BEDDING PROVIDED IT MEETS THE REQUIREMENTS AND BACKFILL MATERIALS IN TABLE 1 (EXCLUDING CLAS 1).
2. HUNCHING SHALL BE USED AROUND THE PIPE BY HAND TO REMOVE ROUGHNESS AND SHALL BE CLASS 1A OR CLASS 1B OR CLASS 1C CONFINED TO 10% STANDARD PROCTOR. FILL GRAVEL SHALL NOT BE USED AS A HUNCHING MATERIAL. CLASS 1B MATERIAL SHALL BE ALLOWED FOR 8\"/>
- 3. ALL TRENCH EXCAVATIONS SHALL BE BLOTTED, BORED, SLOTTED, BENCHED, OR OTHERWISE SUPPORTED IN ACCORDANCE WITH OSHA REGULATIONS AND LOCAL ORDINANCES.
- 4. DESIGN ENGINEER SHALL DETERMINE ON THE PLANS WHERE WATER TIGHT JOINTS ARE TO BE LOCATED.
- 5. SPREAD WITH OR INCLUSIVE SOIL AS NECESSARY TO PROVIDE A SUFFICIENT BASE AS DIRECTED BY GEOTECHNICAL ENGINEER OR OWNER.
- 6. WHERE GRAVEL IS USED IF PROPER CLASS 1A MATERIAL SHALL BE HUNCHING WITH A NON-WOVEN FABRIC. INCLUDING BEDDING MATERIAL BETWEEN 4\"/>
- 7. CONTRACTOR SHALL REFER TO THE LATEST VERSION OF ASTM STANDARDS PRIOR TO CONSTRUCTION.

TABLE 1: CLASSES OF BEDDING AND BACKFILL MATERIALS

ASTM D 2922 MATERIAL CLASS	ASTM D 2487 USE SOIL GROUP	MATERIAL TYPE	% PASSING			
			1 1/2" BL.	NO. 4	NO. 200	LL
MA	NONH	MANUFACTURED OPEN GRADED AGGREGATE	100%	≥100%	<5%	NON PLASTIC
MB	NONH	MANUFACTURED DENSE GRADED AGGREGATE	100%	≥95%	<5%	NON PLASTIC
I	CU	COMAR-GRADED SOIL CLEAN	100%	<5% OF "COARSE" FRACTION	<5%	NON PLASTIC
	CP			<5% OF "COARSE" FRACTION		
	SP			<5% OF "COARSE" FRACTION		
II	GA	COMAR-GRADED SOIL W/ FINES	100%	<5% OF "COARSE" FRACTION	125 TO 500	<1 OR <2" LINE
	GC			<5% OF "COARSE" FRACTION		<7 OR >2" LINE
	JD			<5% OF "COARSE" FRACTION		>4 OR <2" LINE
	JC			<5% OF "COARSE" FRACTION		>7 OR >2" LINE
IIIA	HL	FINE-GRADED SOIL	100%	100%	>50%	<4 OR <2" LINE
	CL					>7 OR >2" LINE

REVISIONS

DATE	DESCRIPTION

Lowes
Civil Engineering Inc.
Bentonville • Kansas City • Austin

LOWE'S HOME CENTERS, INC.
1665 CURTIS BRIDGE ROAD
REC DOCK
WILKESBORO, NC 28697
336.658.4000 (V) 336.658.3257 (F)

LOWE'S

DETAIL SHEET
LOWE'S OF
N.W. WICHITA
MAIZE RD. & CENTRAL PARK ST.
WICHITA, KS.
PROJECT NO. 04-0660
DRAWN BY: JAC
CHECKED BY: JAC

ORIGINAL ISSUE DATE:
PERMIT SET ISSUE DATE:
CONSTRUCTION SET ISSUE DATE: 8-17-07
DRAWING NUMBER:
19