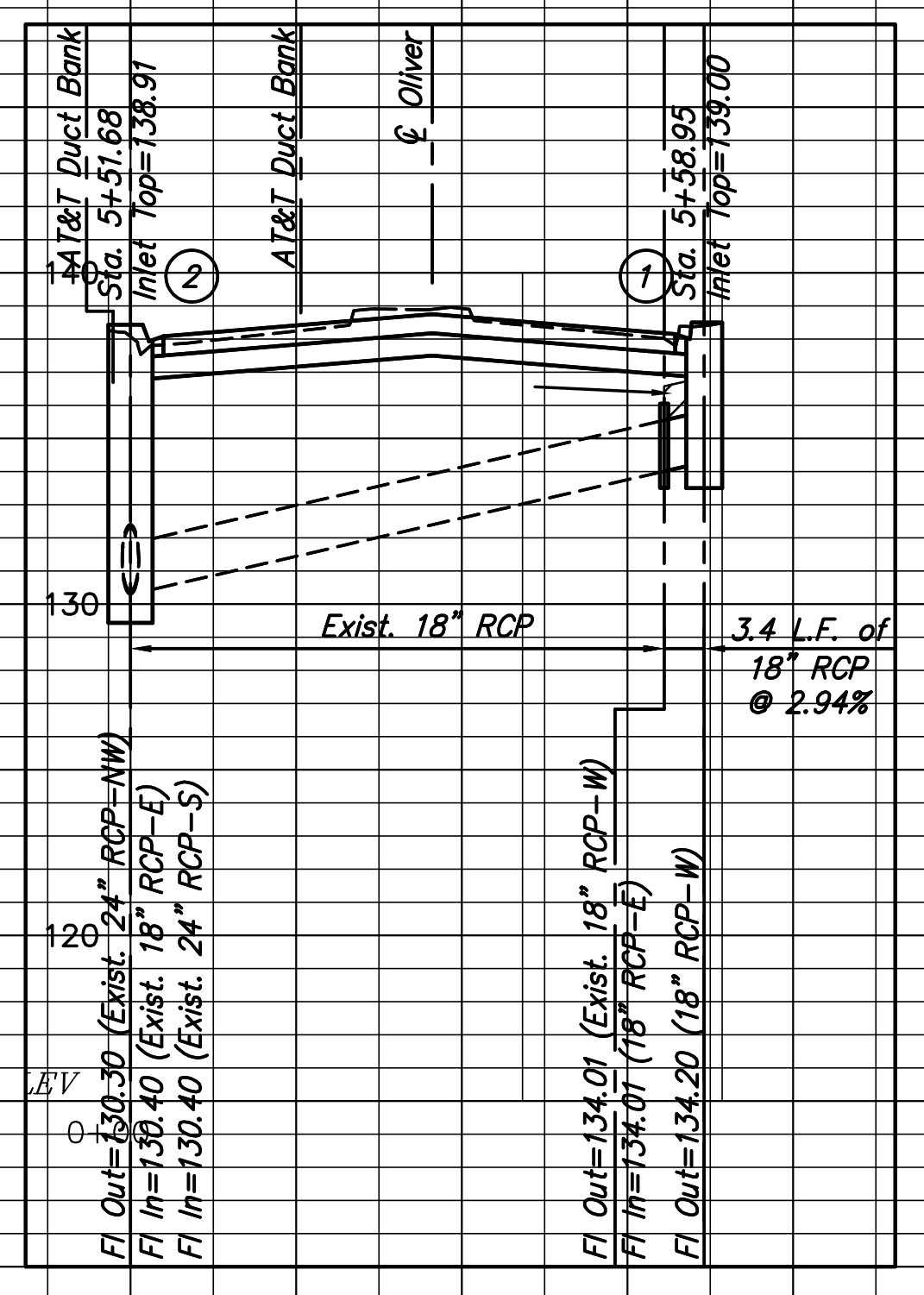
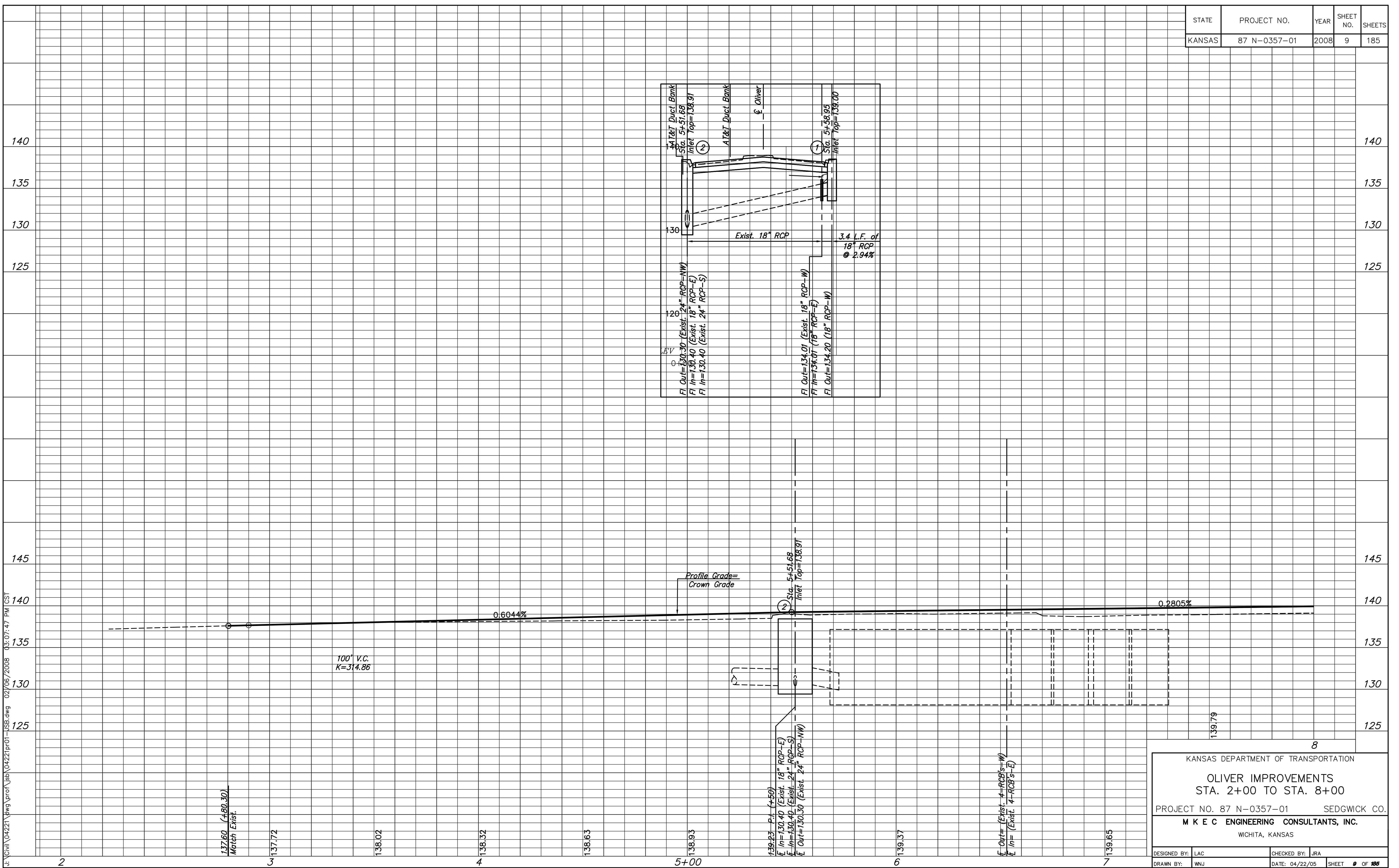


| | | | | |
|--------|--------------|------|-----------|--------|
| STATE | PROJECT NO. | YEAR | SHEET NO. | SHEETS |
| KANSAS | 87 N-0357-01 | 2008 | 9 | 185 |

U:\Q:\w\04221\Bwg\prct\jsh\04221pr01-USB.dwg 02/06/2008 03:07:47 PM GST



KANSAS DEPARTMENT OF TRANSPORTATION

OLIVER IMPROVEMENTS
STA. 2+00 TO STA. 8+00

PROJECT NO. 87 N-0357-01 SEDGWICK CO.

M K E C ENGINEERING CONSULTANTS, INC.
WICHITA, KANSAS

| | |
|------------------|-------------------------------|
| DESIGNED BY: LAC | CHECKED BY: JRA |
| DRAWN BY: WNU | DATE: 04/22/05 SHEET 9 OF 185 |