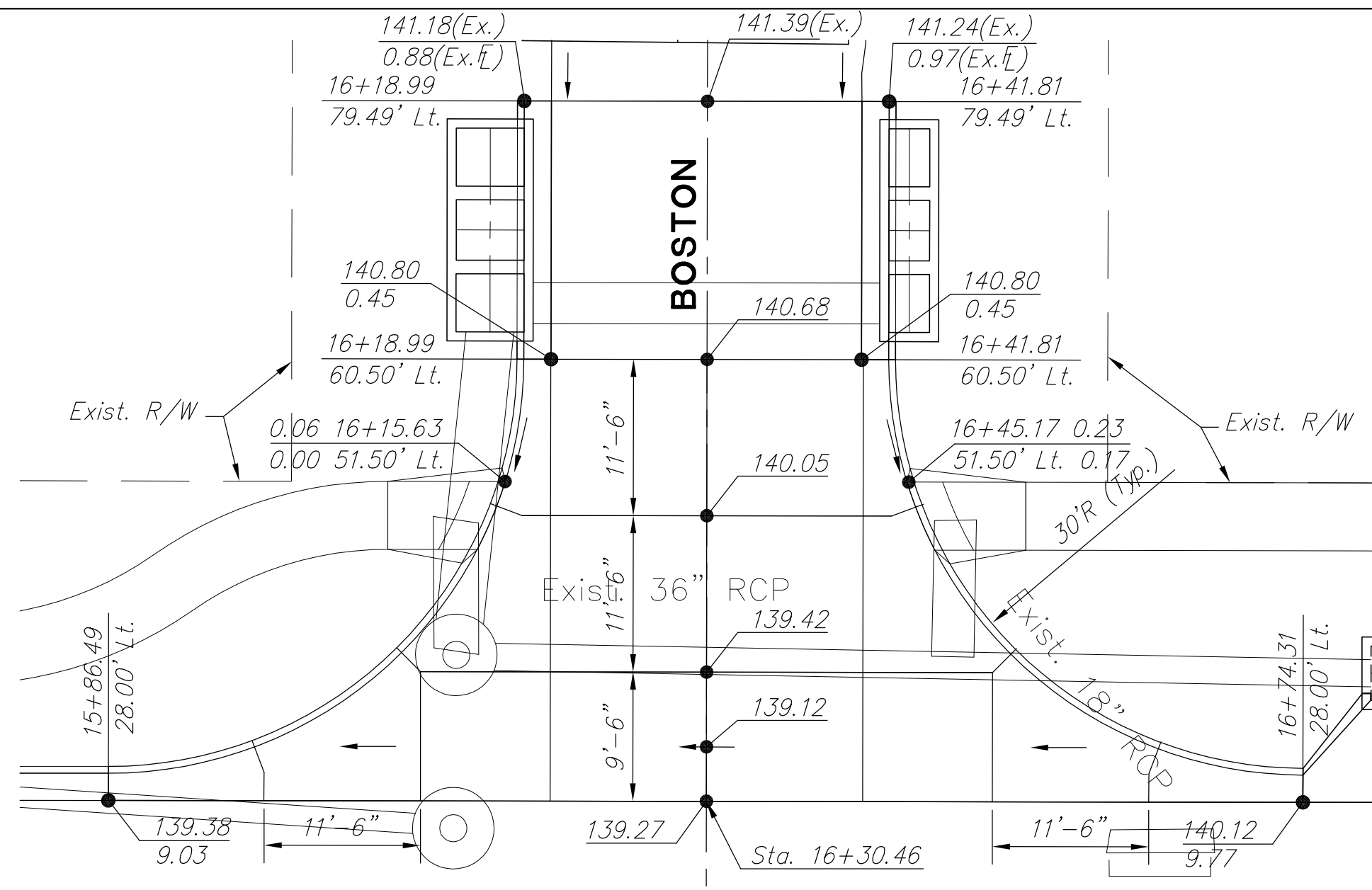
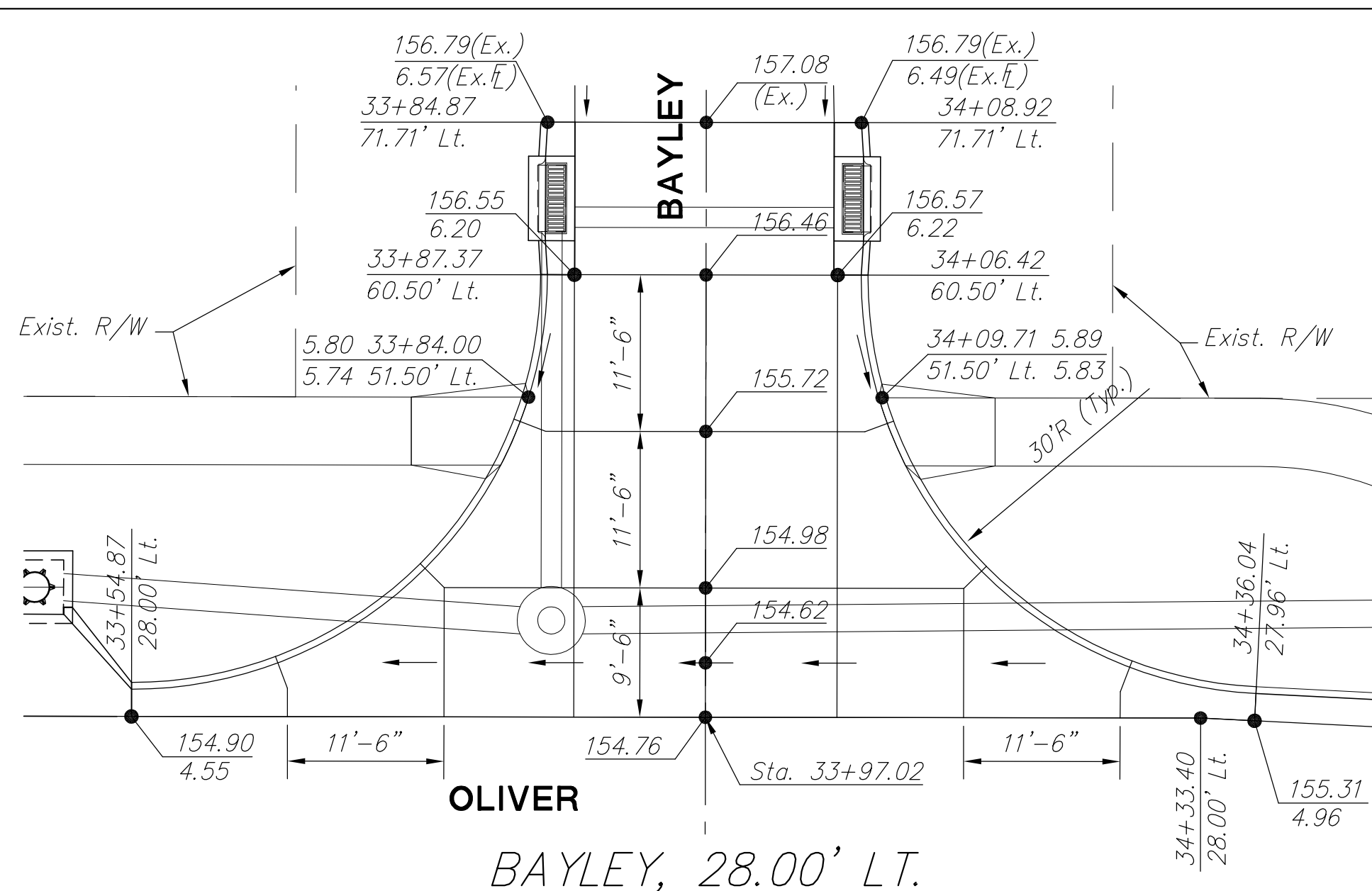


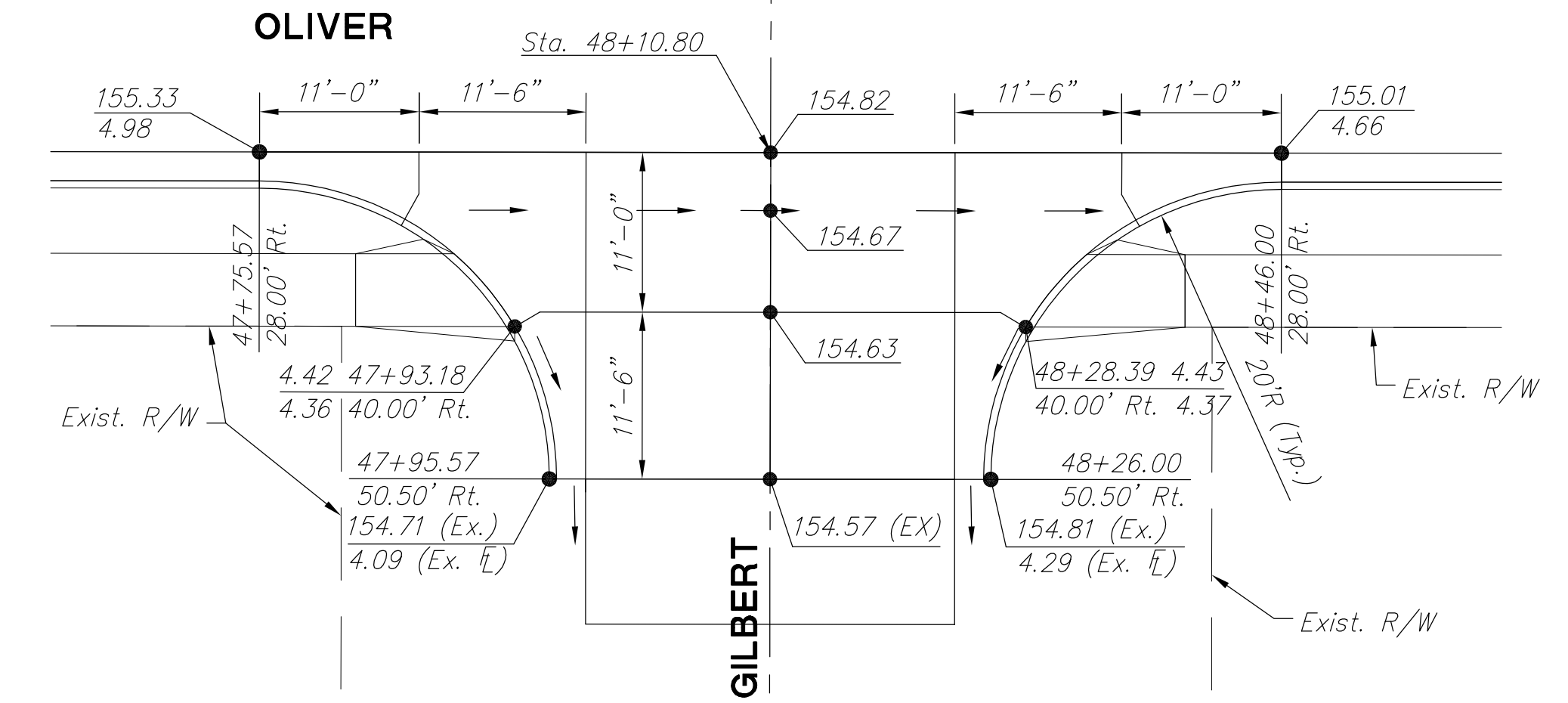
STATE	PROJECT NO.	YEAR	SHEET NO.	TOTAL SHEETS
KANSAS	87 N-0357-01	2008	48	185



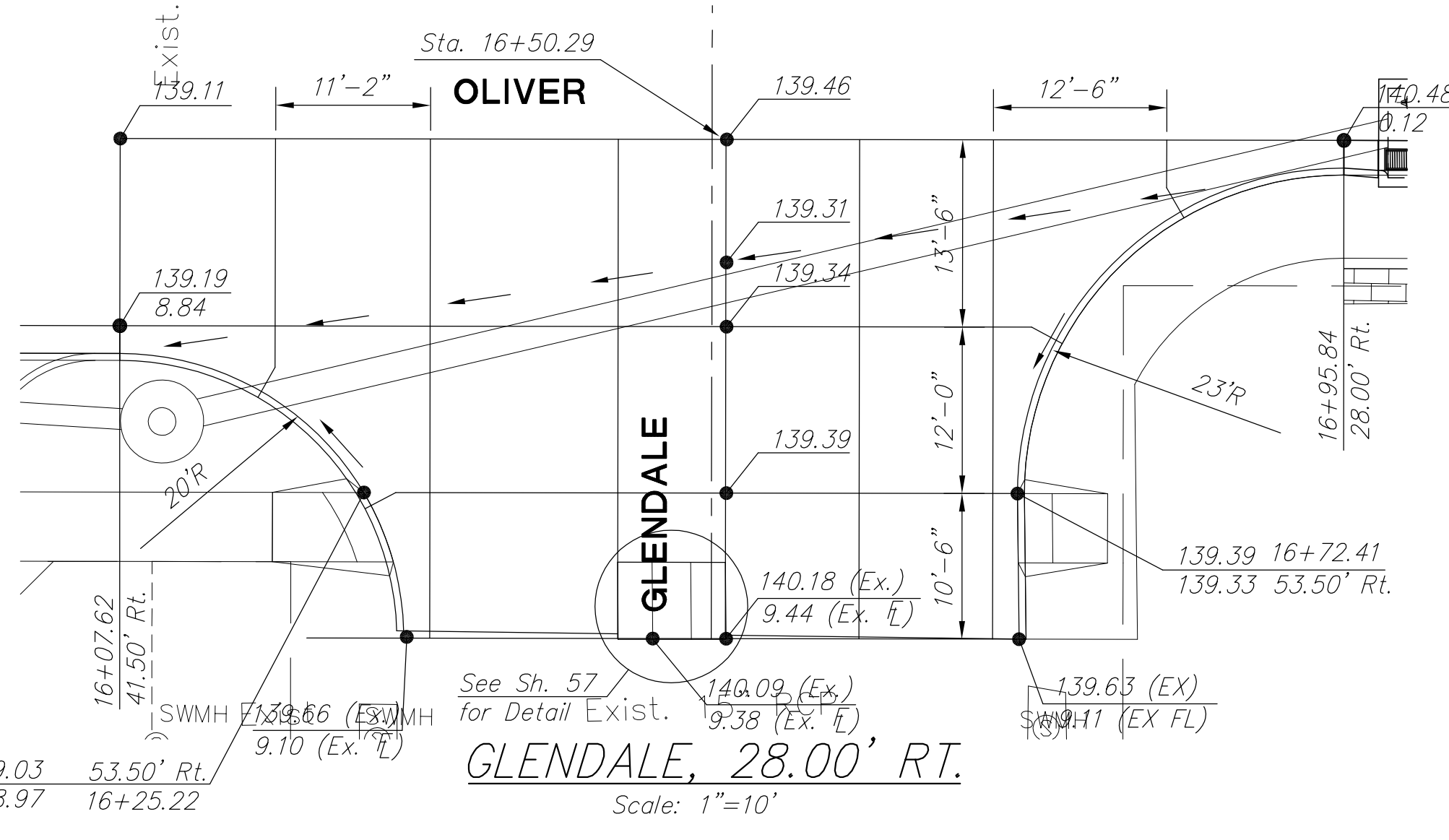
**BOSTON, 28.00' LT.**  
Scale: 1"=10'



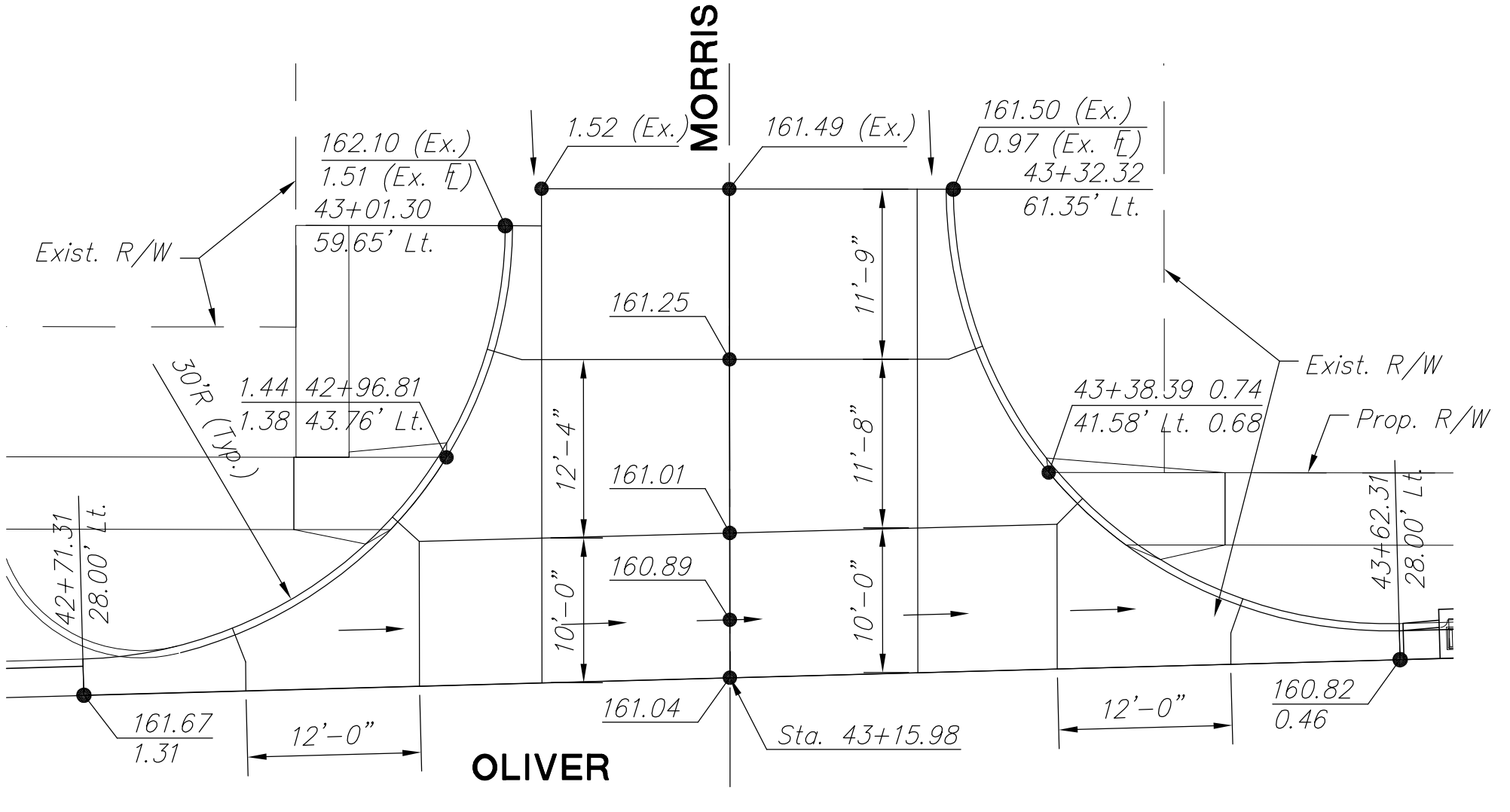
**BAYLEY, 28.00' LT.**  
Scale: 1"=10'



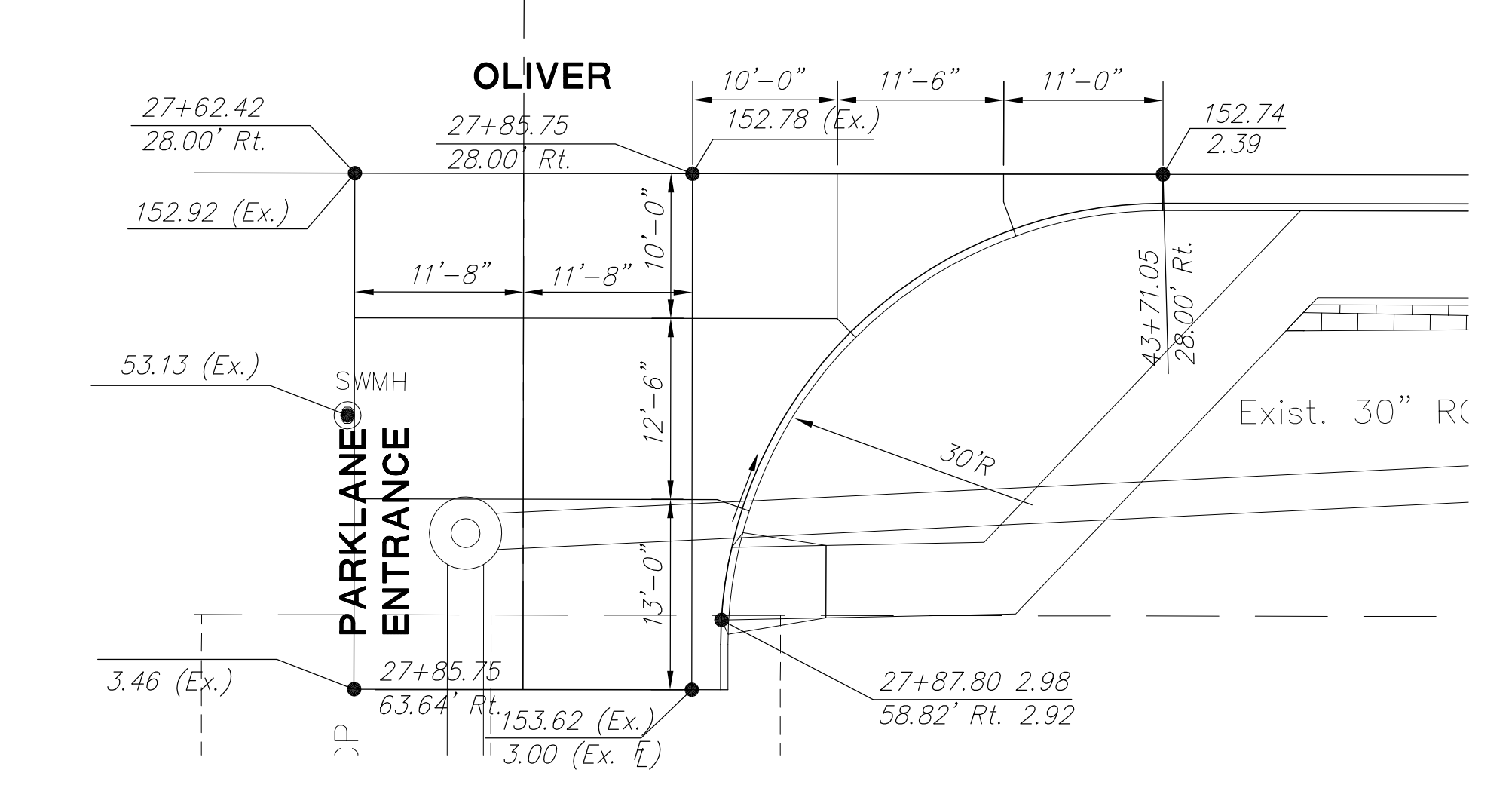
**GILBERT, 28.00' RT.**  
Scale: 1"=10'



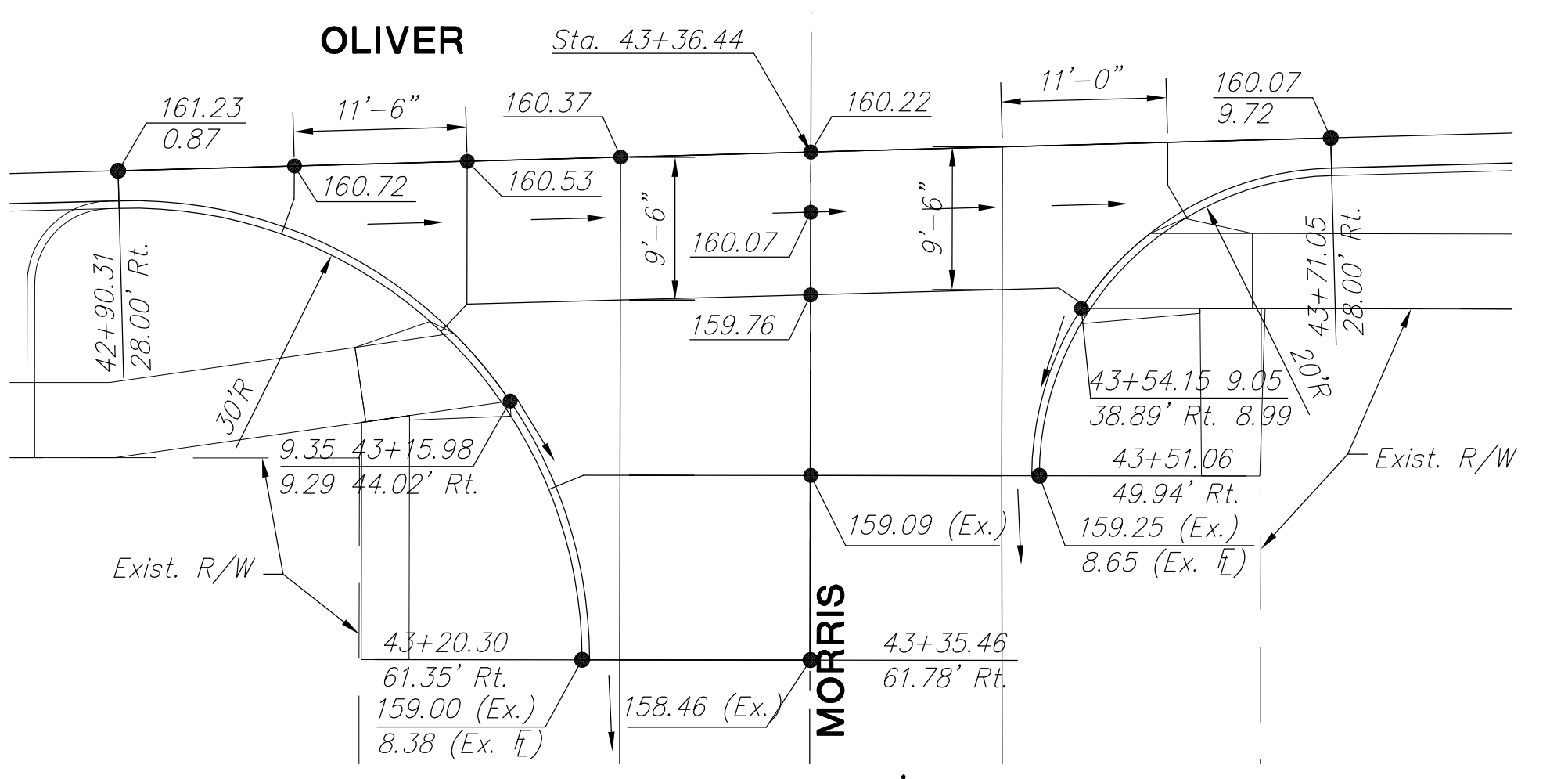
**GLENDALE, 28.00' RT.**  
Scale: 1"=10'



**MORRIS, 28.00' LT.**  
Scale: 1"=10'



**PARKLANE ENTRANCE, 28.00' RT.**  
Scale: 1"=10'



**MORRIS, 28.00' RT.**  
Scale: 1"=10'

See Sheet 52 for Valley Gutter Details. See Sheet 7 for Side Road Typical Sections.

- LEGEND**
- C.J. Contraction Joint
  - L.J. Longitudinal Joint
  - I.J. Isolation Joint
  - T.J. Tied Construction Joint
  - D.E.J. Doweled Expansion Joint
  - Valley Gutter Flow Location
  - 100.00 Back of Curb Elevation
  - 00.00 Flow Line Elevation
  - 100.00 Back of Curb Elevation
  - 00.00 High Edge of Curb Elevation

J:\Civil\04221\dwg\pav\04221int3.dwg 10/20/2007 11:20:38 AM CDT  
KANSAS DEPARTMENT OF TRANSPORTATION  
**OLIVER IMPROVEMENTS INTERSECTION DETAILS**  
PROJECT NO. 87 N-0357-01 SEDGWICK CO.  
M K E C ENGINEERING CONSULTANTS, INC.  
WICHITA, KANSAS

DESIGNED BY: LAC	CHECKED BY: JRA
DRAWN BY: WNJ	DATE: 1/11/06

SHEET 48 OF 185