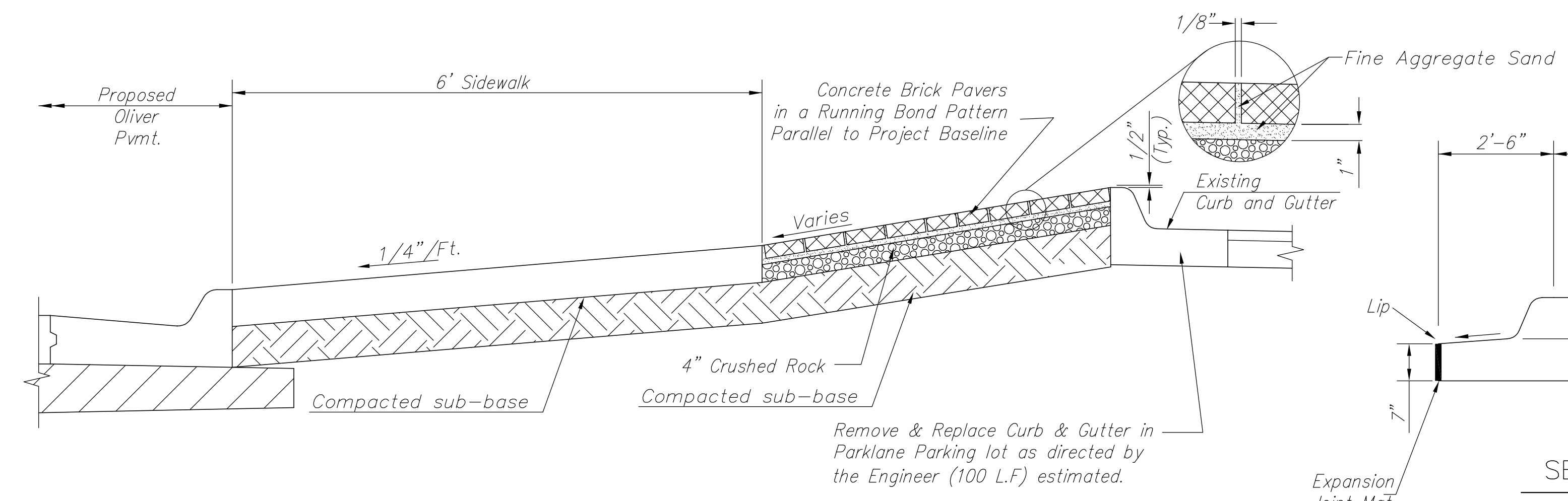
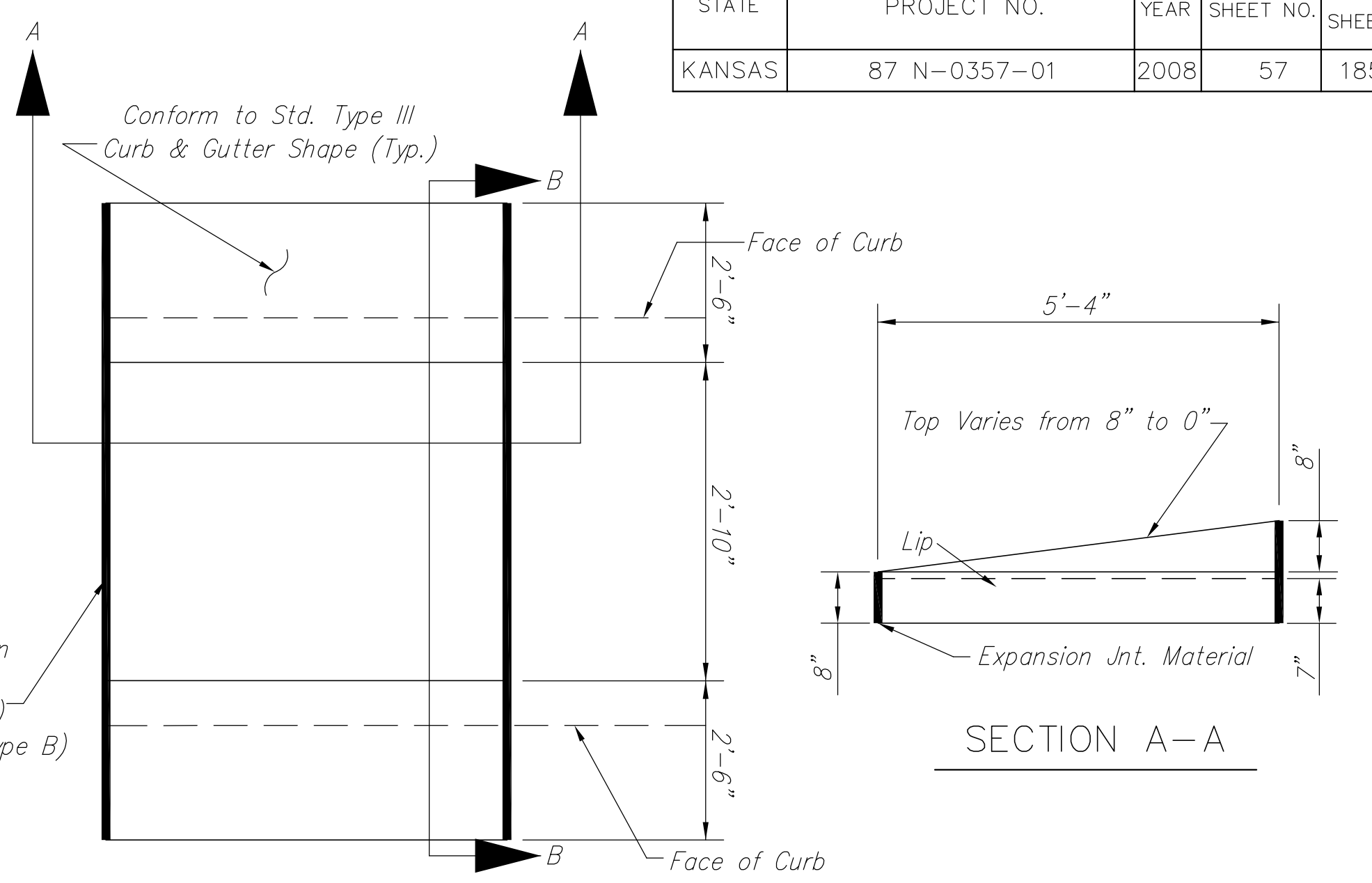
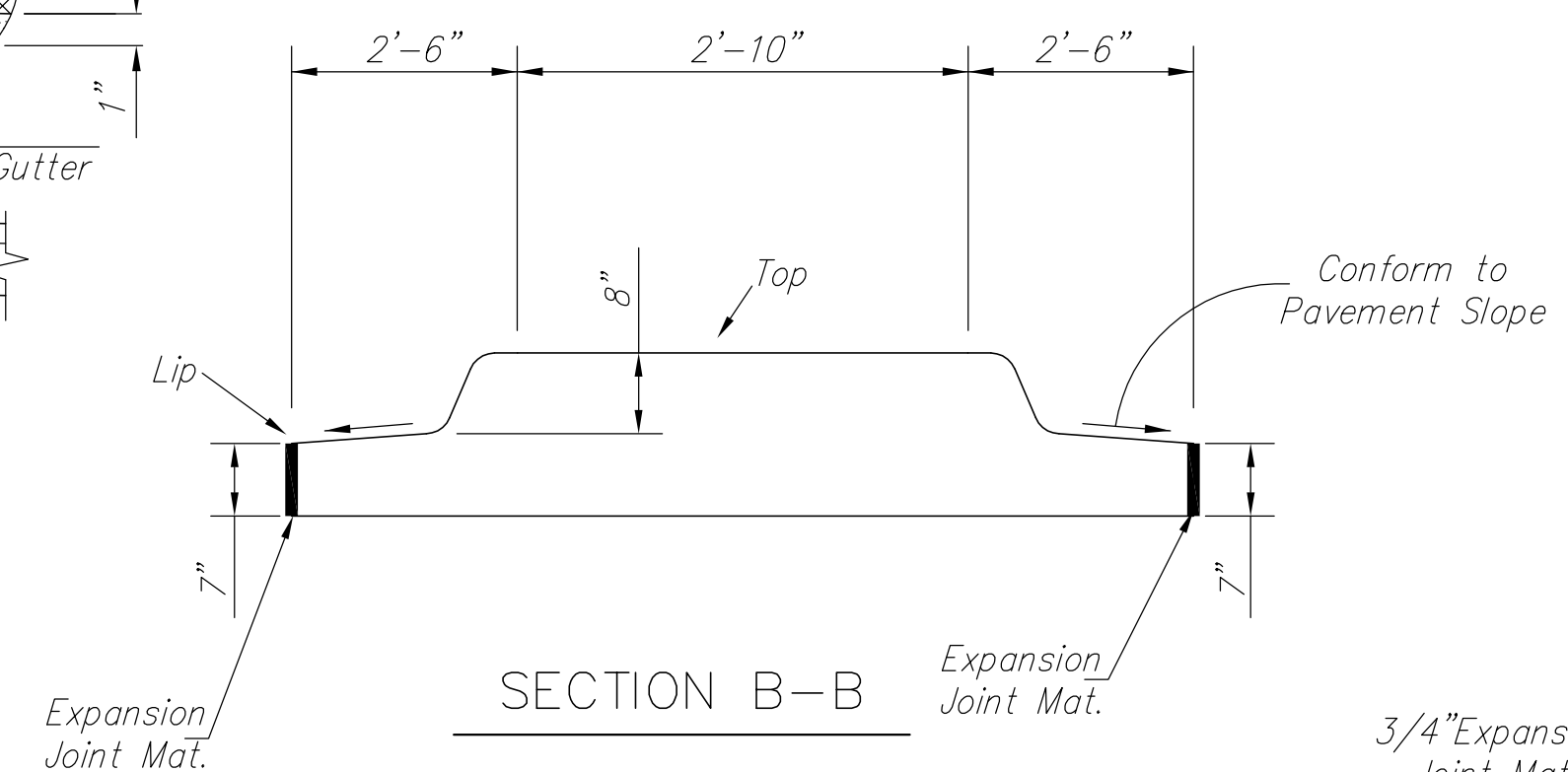


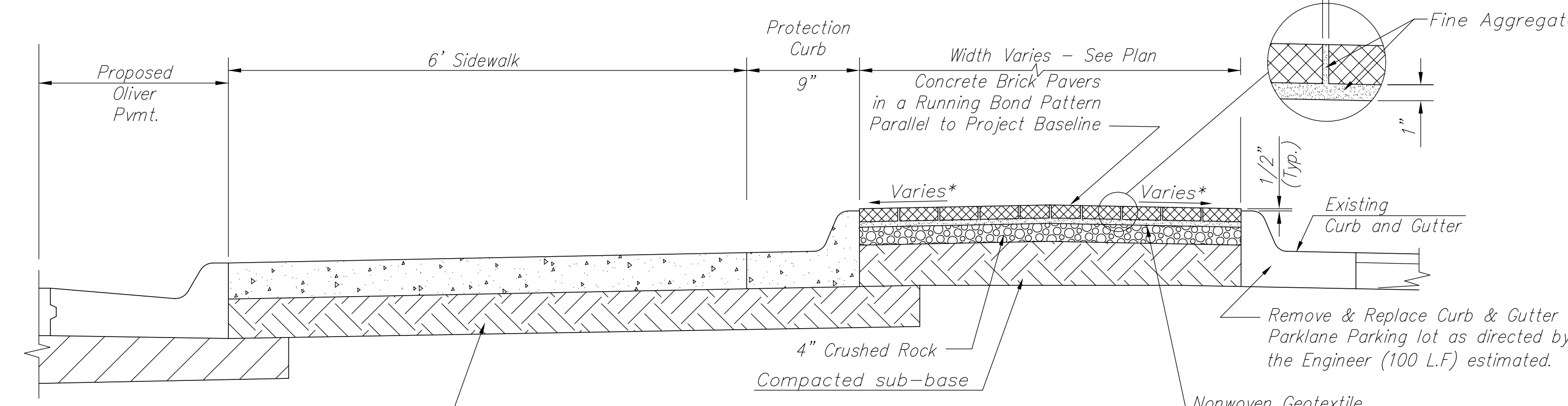
STATE	PROJECT NO.	YEAR	SHEET NO.	TOTAL SHEETS
KANSAS	87 N-0357-01	2008	57	185



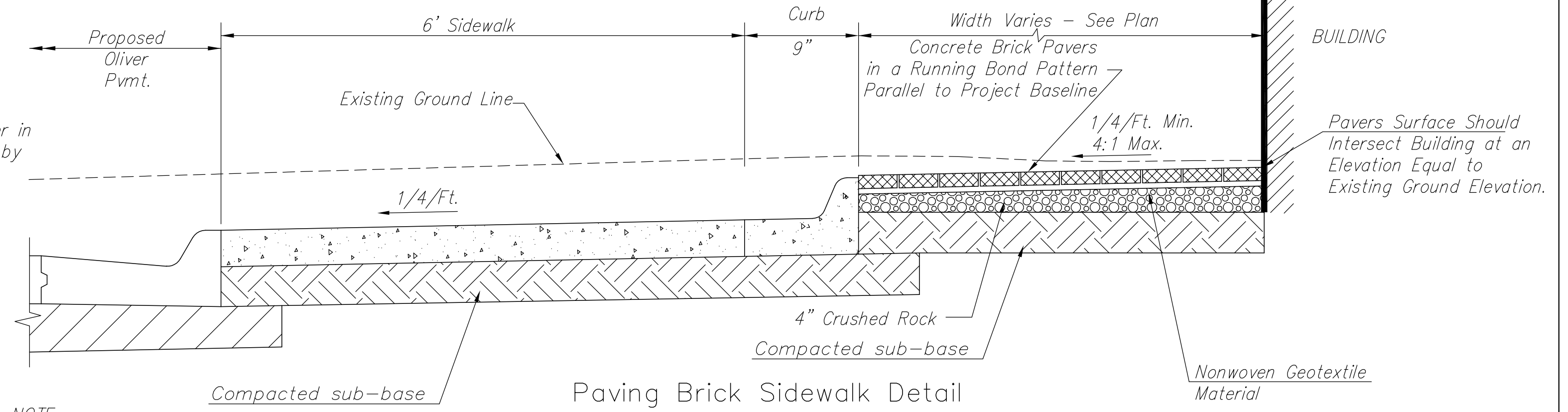
Paving Brick Sidewalk Detail
(Adjacent to Sidewalk)



Concrete Median Nose Detail (Sta. 46+47.41, 58.5 Rt.)



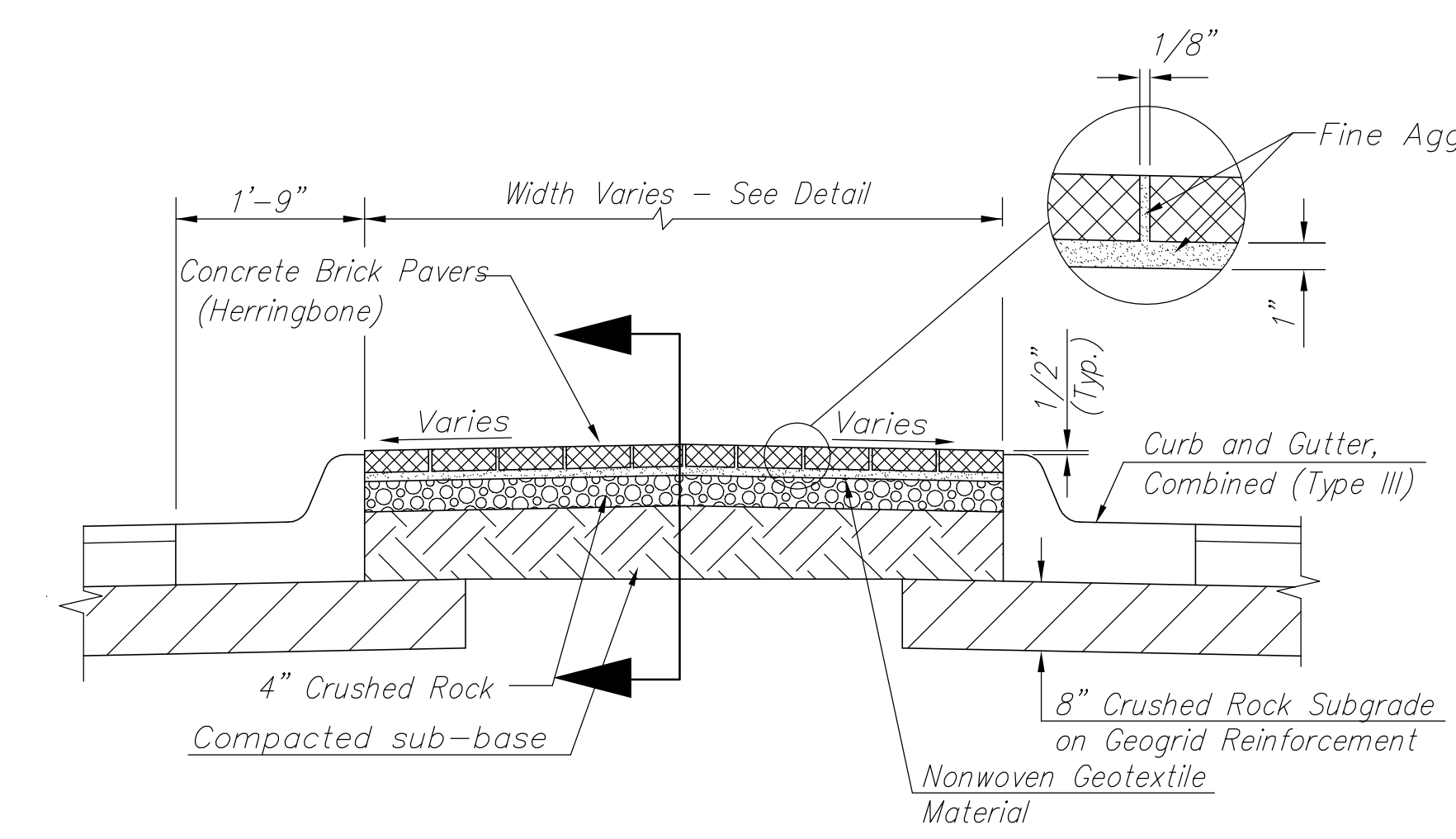
Paving Brick Sidewalk Detail
(Adjacent to Protection Curb)



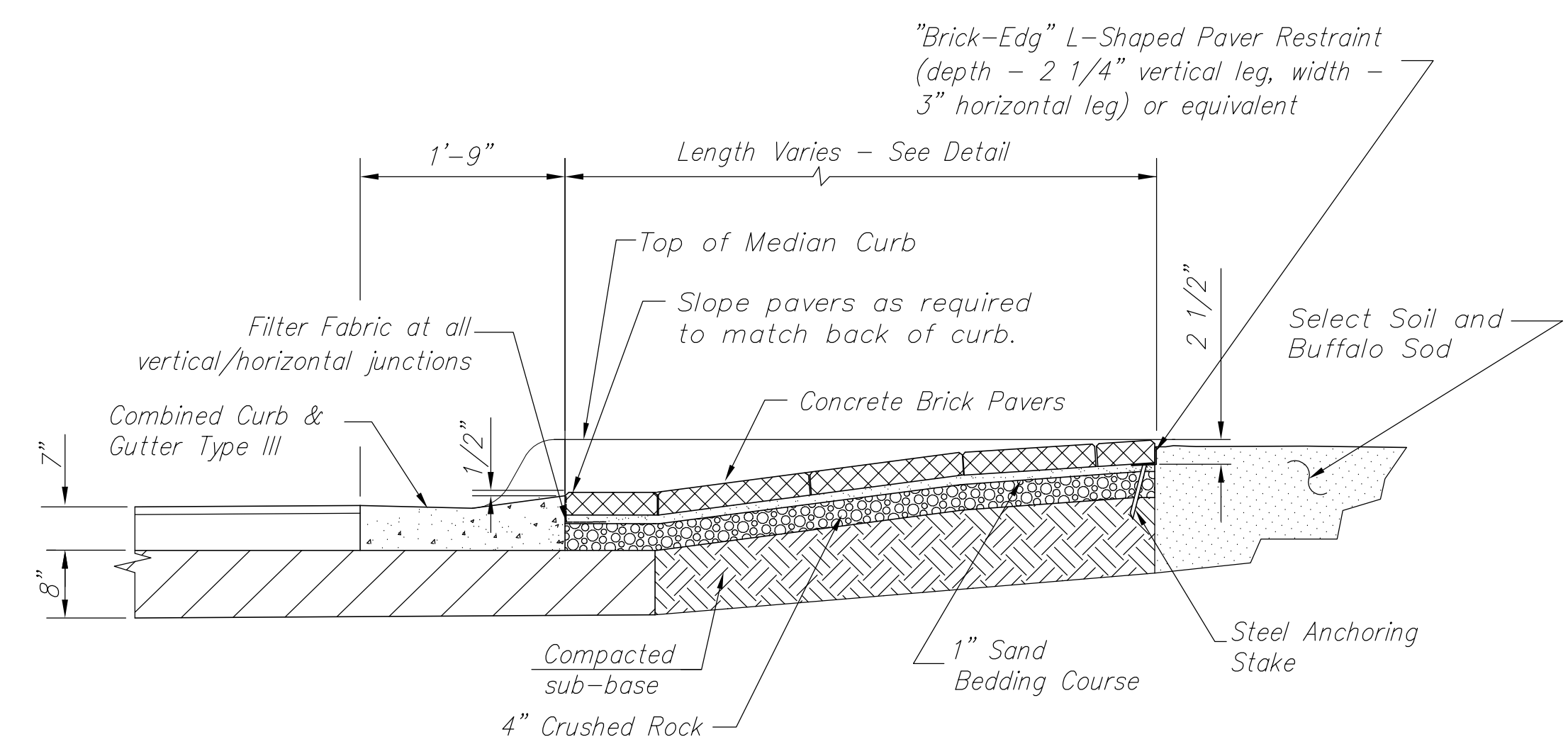
Paving Brick Sidewalk Detail
(Adjacent to Buildings)

* Crown Pavers if a Minimum Cross-Slope of 1/4 in./ft. Cannot be Achieved in a Single Direction

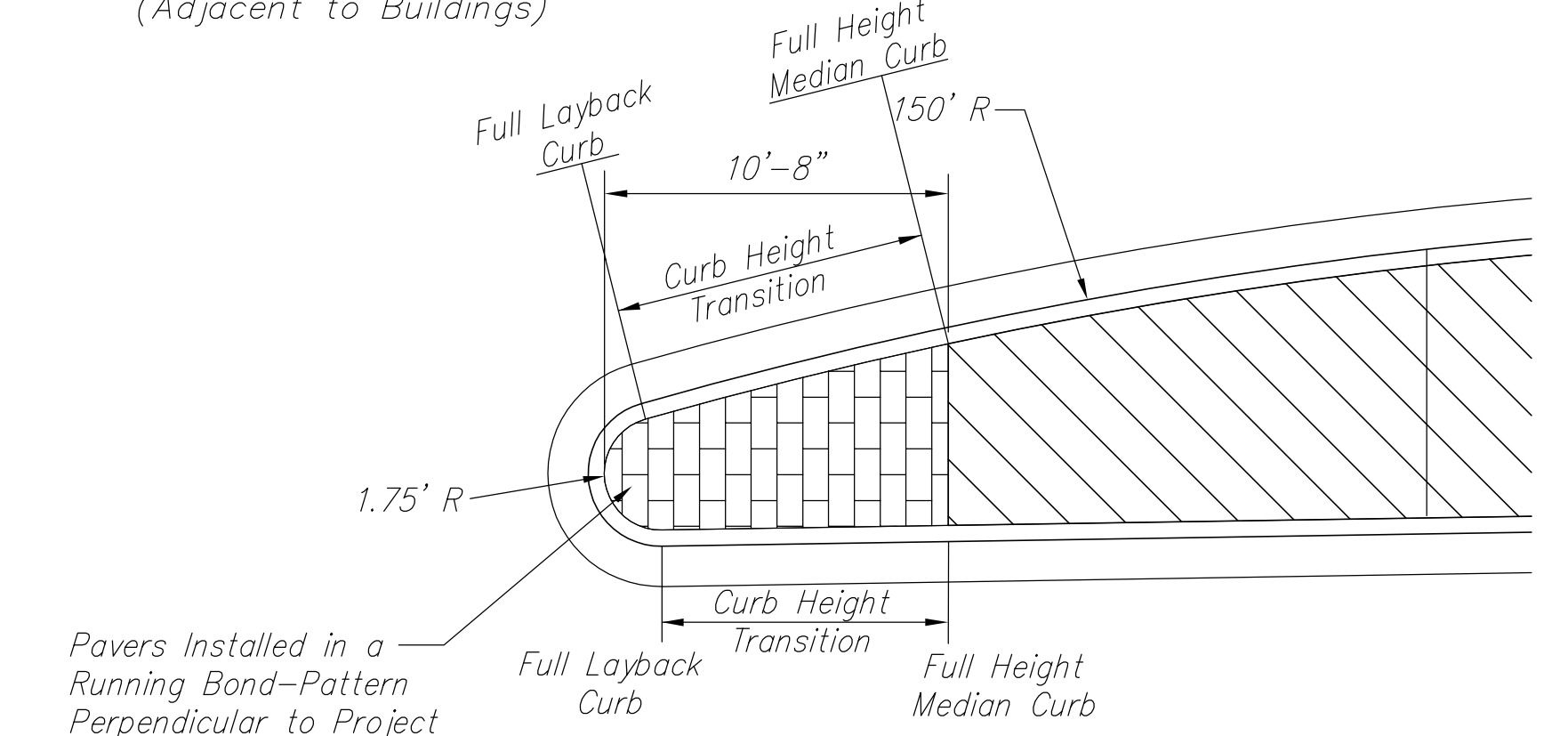
NOTE: Contractor Shall Confirm Subsurface Conditions Below Walk and Pavers Prior to Construction.



Paving Brick Median Detail



Section Through Median Nose



Curb Transition at Median Nose

Note: Refer to Sheet 46 for Paver and Paver Installation Details.

Note: Refer to Paving Plans and Bubble Map for Curb Geometrics

J:\Civil\04221\dwg\details\04221median-pavrs.dwg 10/23/2007 04:49:03 PM CST

KANSAS DEPARTMENT OF TRANSPORTATION
**OLIVER IMPROVEMENTS
 MEDIAN & BRICK PAVER DETAILS**
 PROJECT NO. 87 N-0357-01 SEDGWICK CO.
 M K E C ENGINEERING CONSULTANTS, INC.
 WICHITA, KANSAS

DESIGNED BY: JRA	CHECKED BY: JRA
DRAWN BY: JSB	DATE: 4/07/05

SHEET 57 OF 185