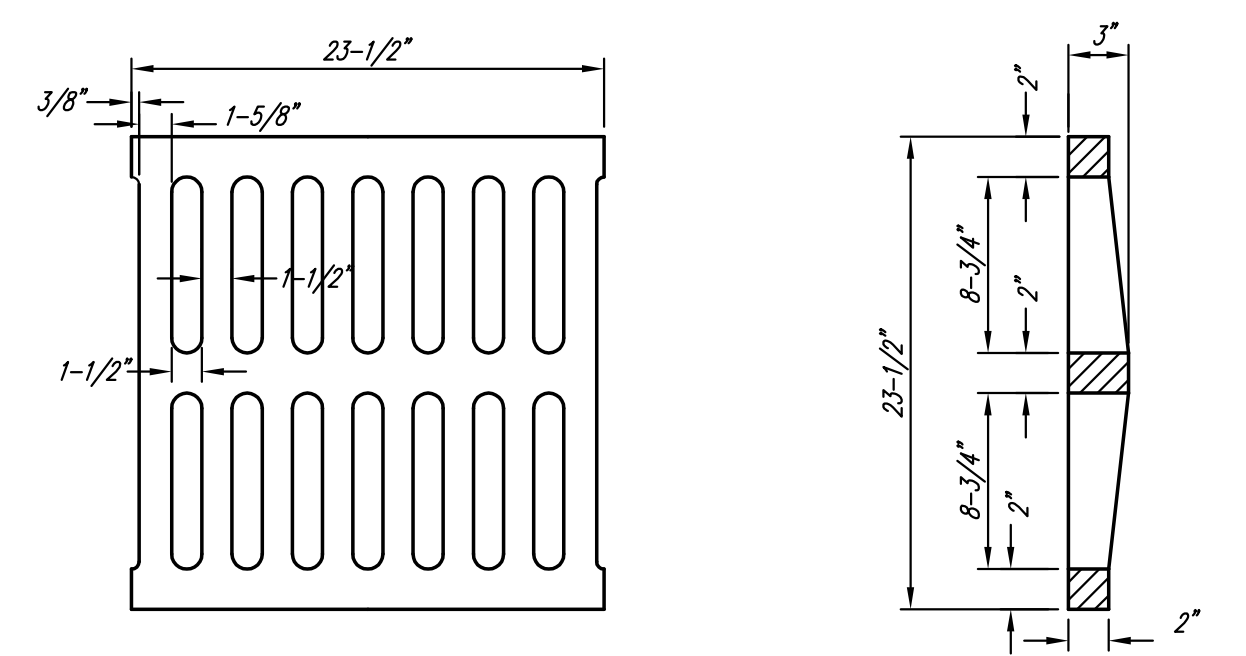
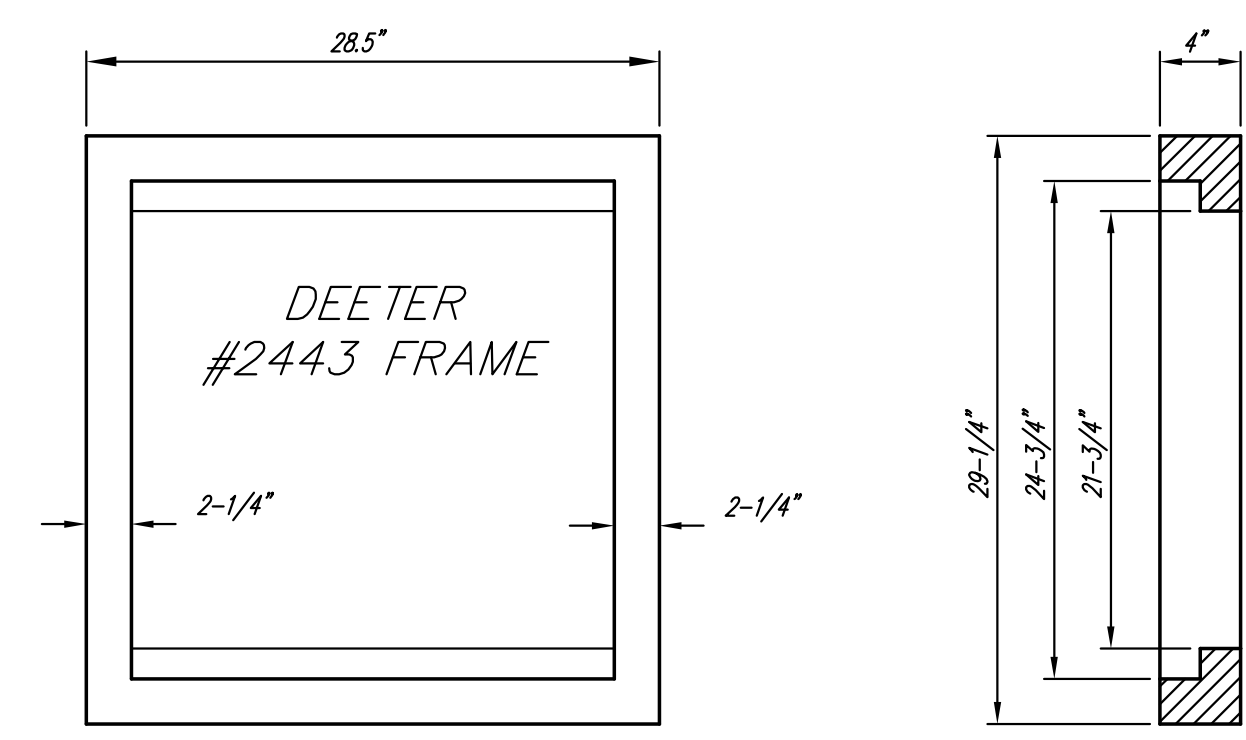


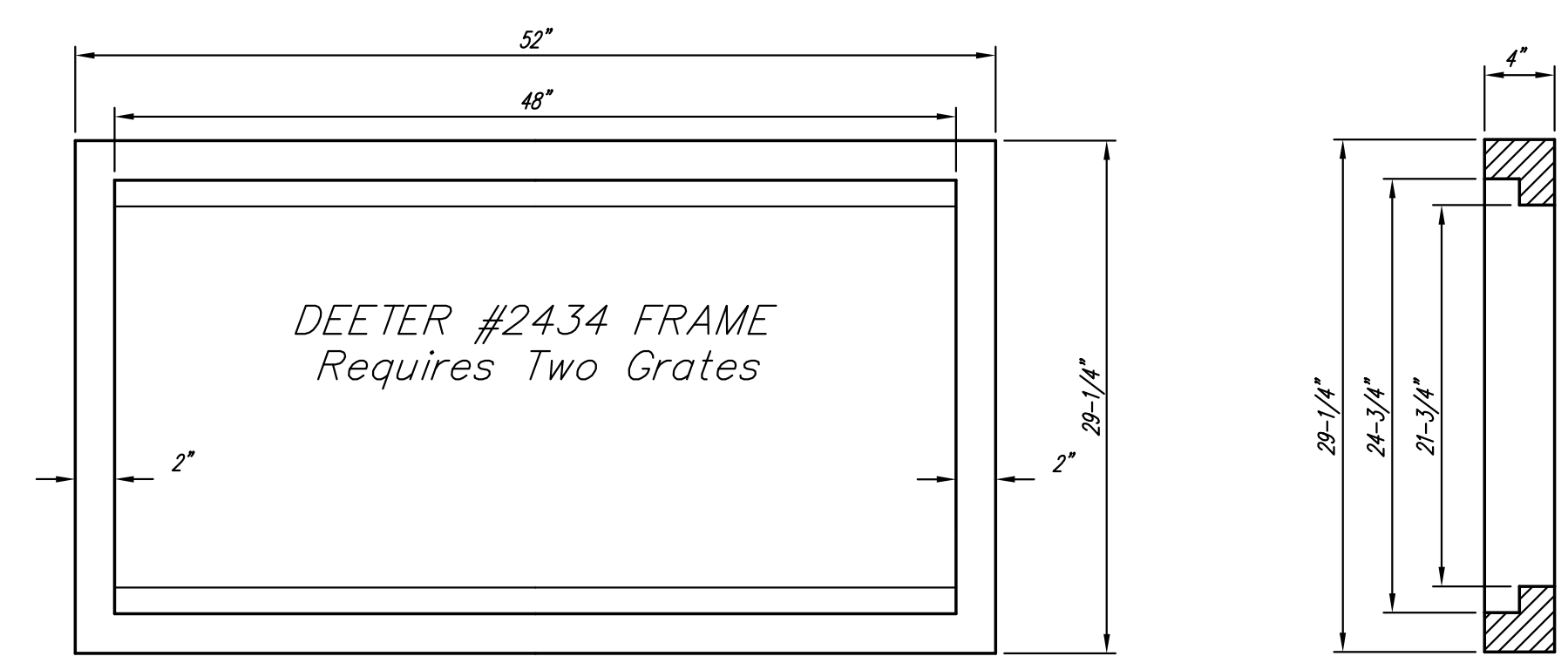
STATE	PROJECT NO.	YEAR	SHEET NO.	SHEETS
KANSAS	87 N-0357-01	2008	67	185



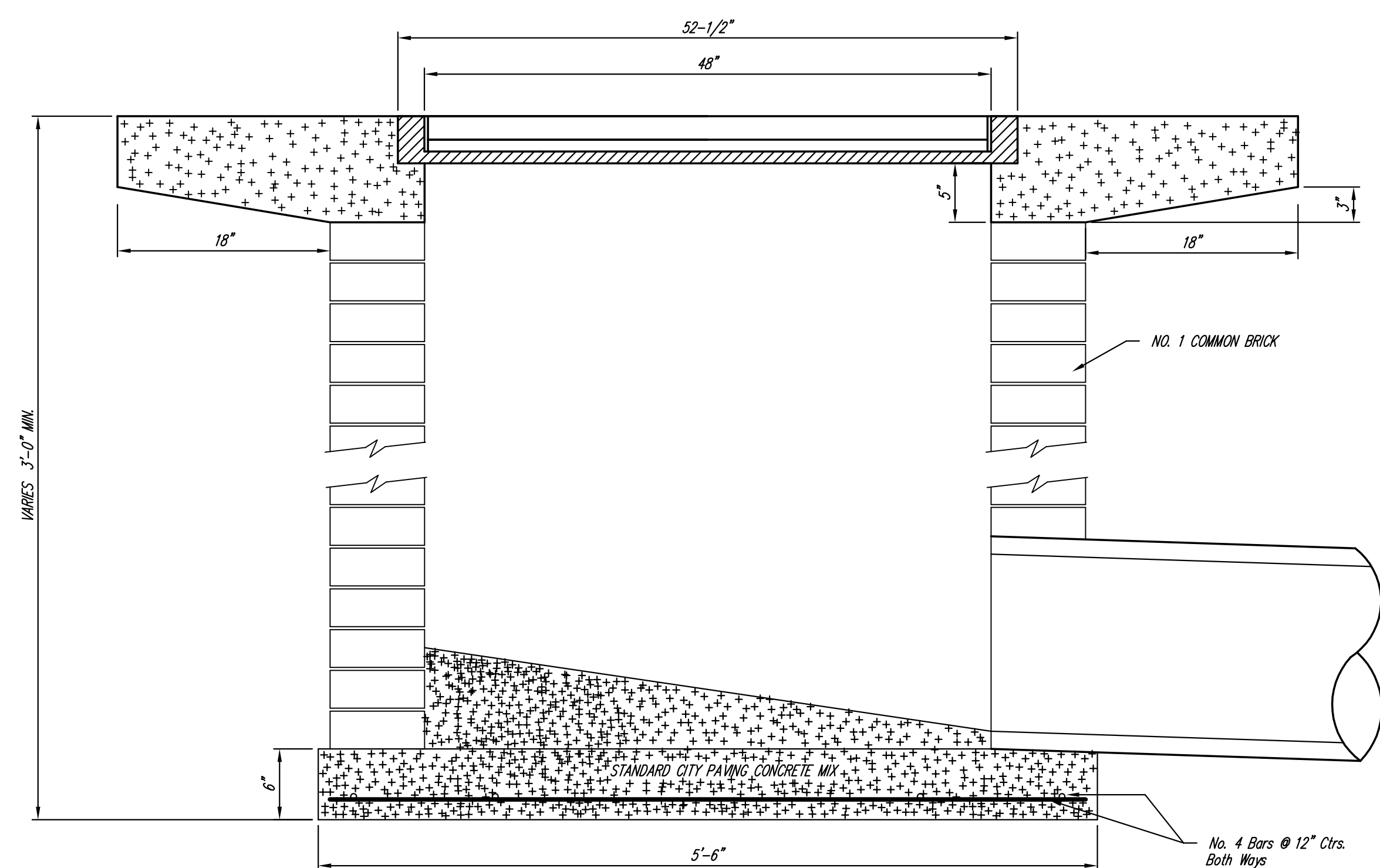
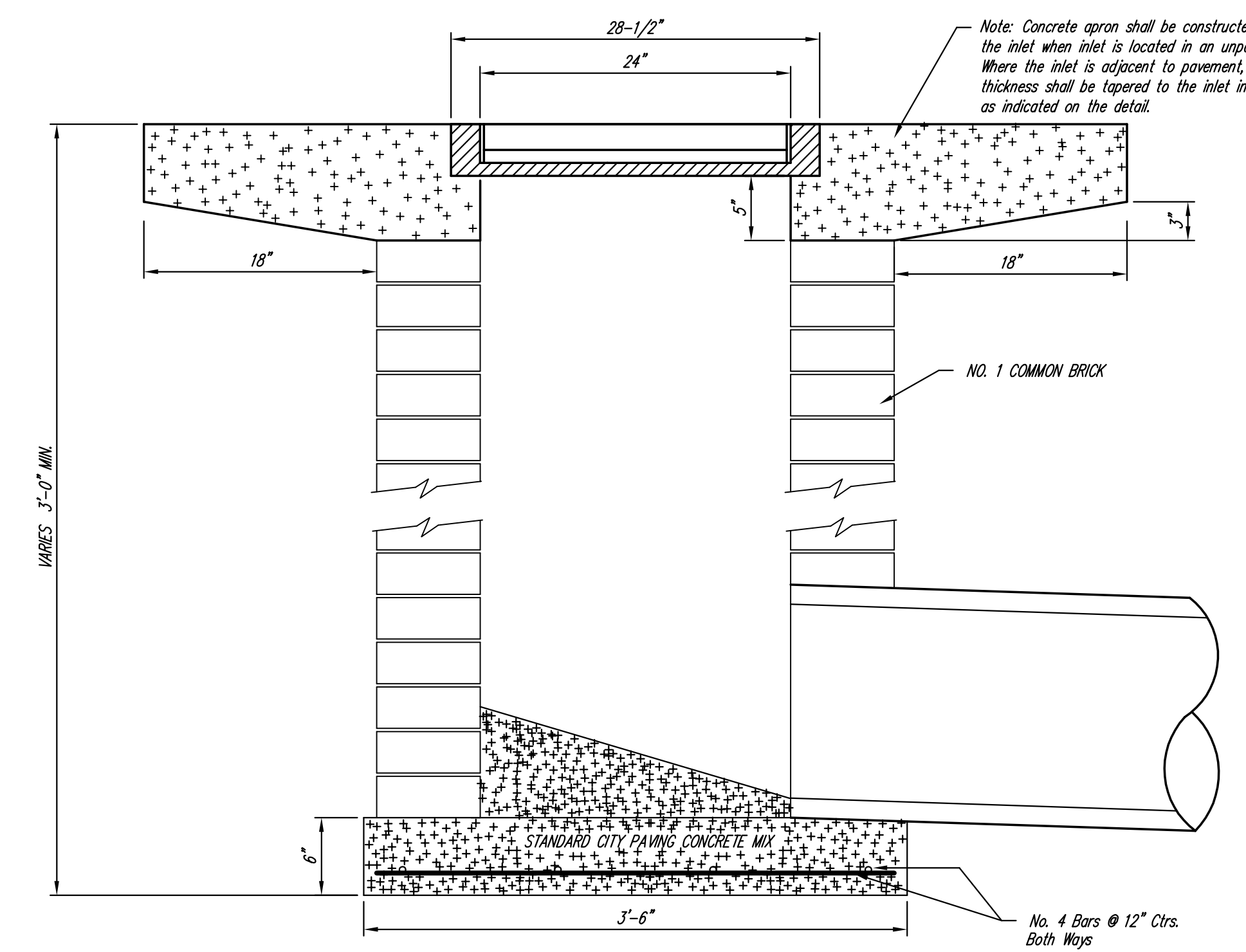
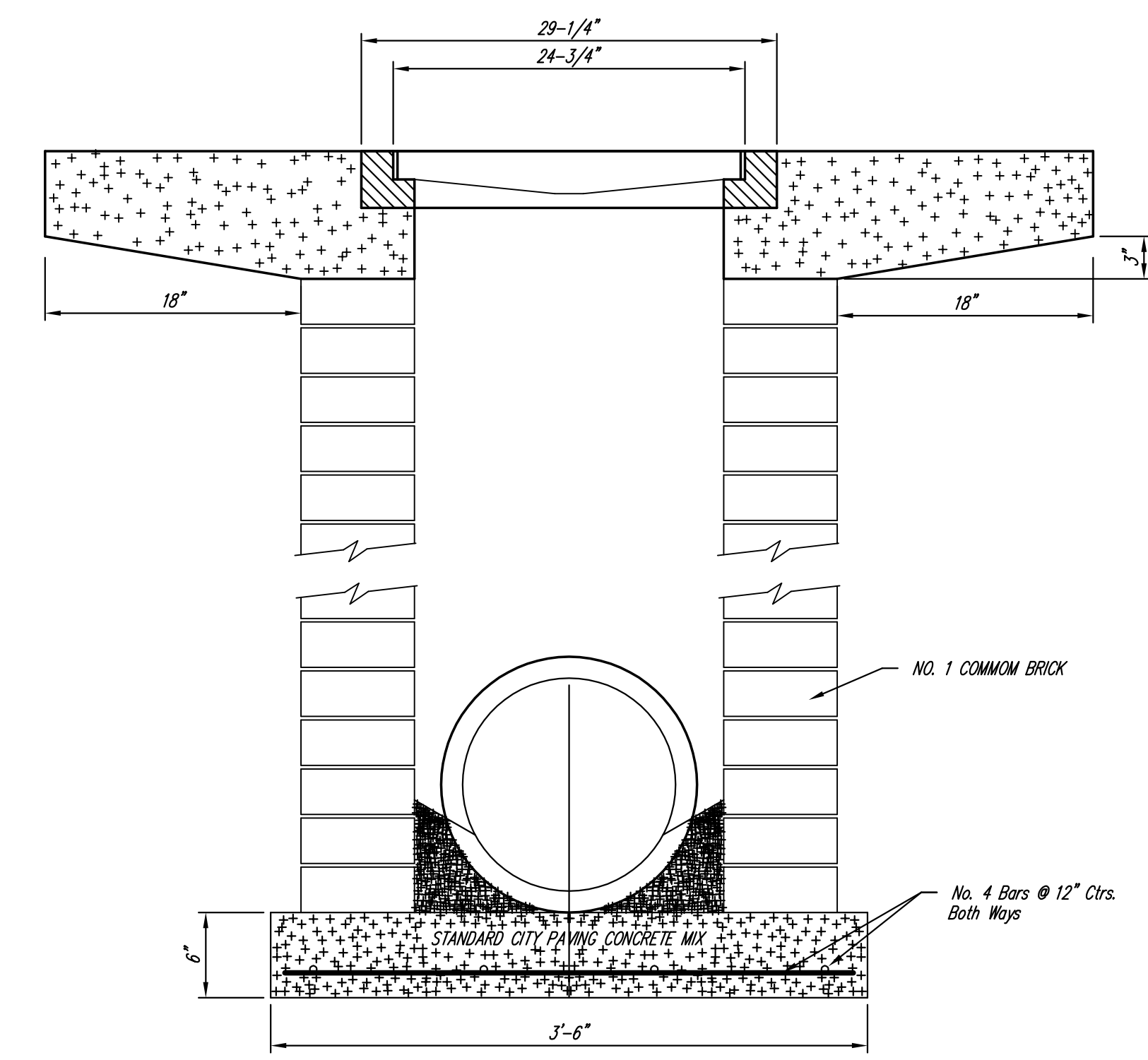
DEETER #2433 GRATE

24" x 24" Frame and Grate Detail

NOTE: Grates shall be imprinted on the top surface with "CITY OF WICHITA" using letters at least 1" in height. Other marking methods may be approved by the engineer.



Double 24" x 24" Frame Detail



J:\Civil\04221\dwg\details\DROP INLET.DWG 06/10/2008 04:18:53 PM CST

KANSAS DEPARTMENT OF TRANSPORTATION

DROP INLET
2' X 2'/2' X 4'

PROJECT NO. 87 N-0235-01 SEDGWICK CO.

M K E C ENGINEERING CONSULTANTS, INC.
WICHITA, KANSAS

DESIGNED BY: JRA	CHECKED BY: JRA
DRAWN BY: WNJ	DATE: JULY 2004 SHEET 67 OF 185