

STATE	PROJECT NO.	YEAR	SHEET NO.	TOTAL SHEETS
KANSAS	87N-0357-01	2008	76	185

GENERAL NOTES

UNIT STRESSES: Grade 4.0 Concrete; $f'_c = 4,000$ p.s.i.
Reinforcing Steel; $f_y = 60,000$ p.s.i.

CONCRETE: Grade 4.0 Concrete shall be used throughout. Bevel all exposed edges with a 3/4 inch triangular moulding.

REINFORCING: All reinforcing shall conform to ASTM A615, Grade 60. Welded Wire Fabric shall conform to ASTM A185. All dimensions relative to reinforcing steel shall be to center-line of bar unless otherwise noted.

QUANTITIES: Wingwall Quantities include all quantities outside the neat lines of the box, excluding the hubguard.

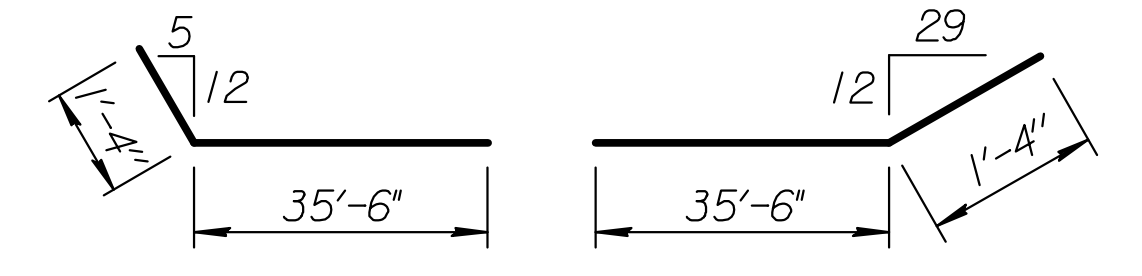
FOUNDATION AND BACKFILL MATERIAL: See "RCB Auxiliary Details" for foundation and backfill requirements.

Bar	Incrmts.	
V3S	3 1/8"	Var. 6'-4" to 9'-9" by equal increments (See Table)
V4S	4 3/4"	

V3S & V4S

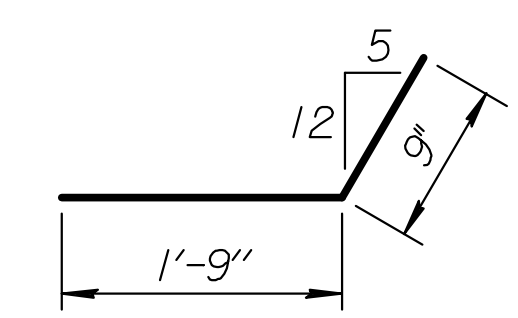
Bar	Incrmts.	
V3L	1 1/4"	Var. 6'-3" to 9'-11" by equal increments (See Table)
V4L	2"	

V3L & V4L



E2

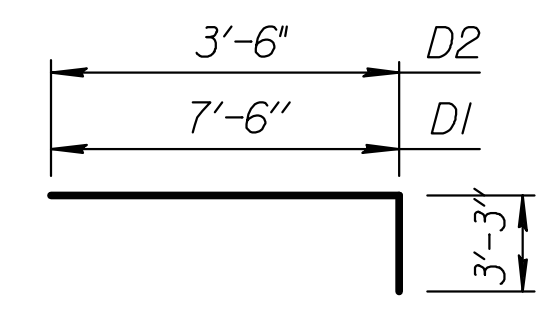
E3



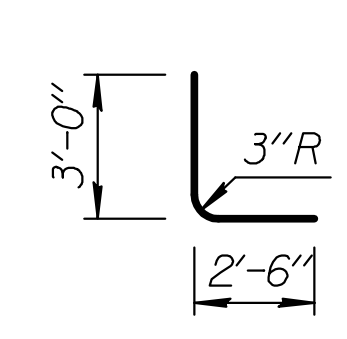
H5S, H6S

H6L

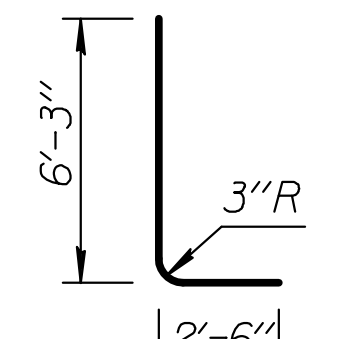
H7



D1, D2



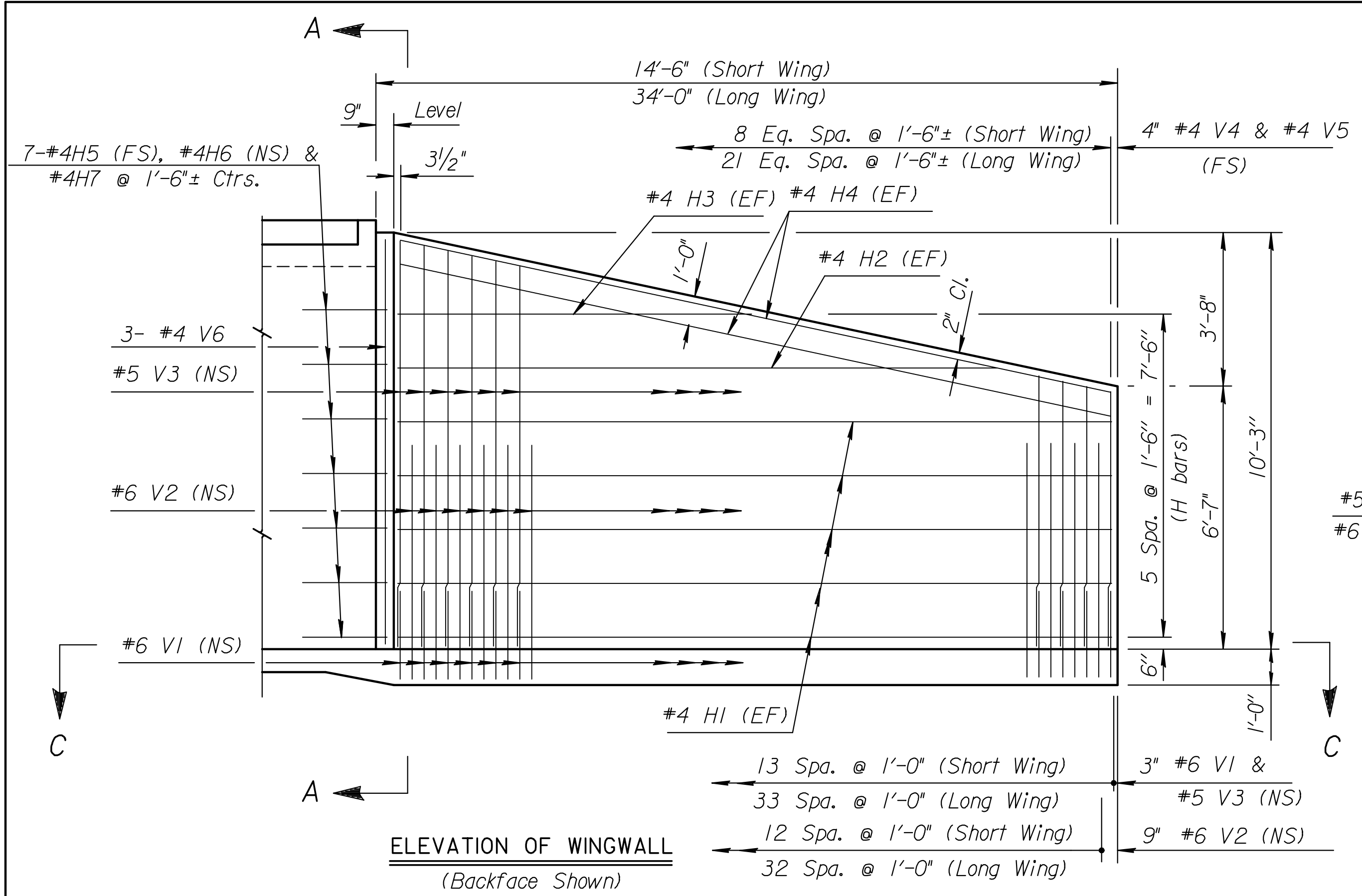
V1



V2

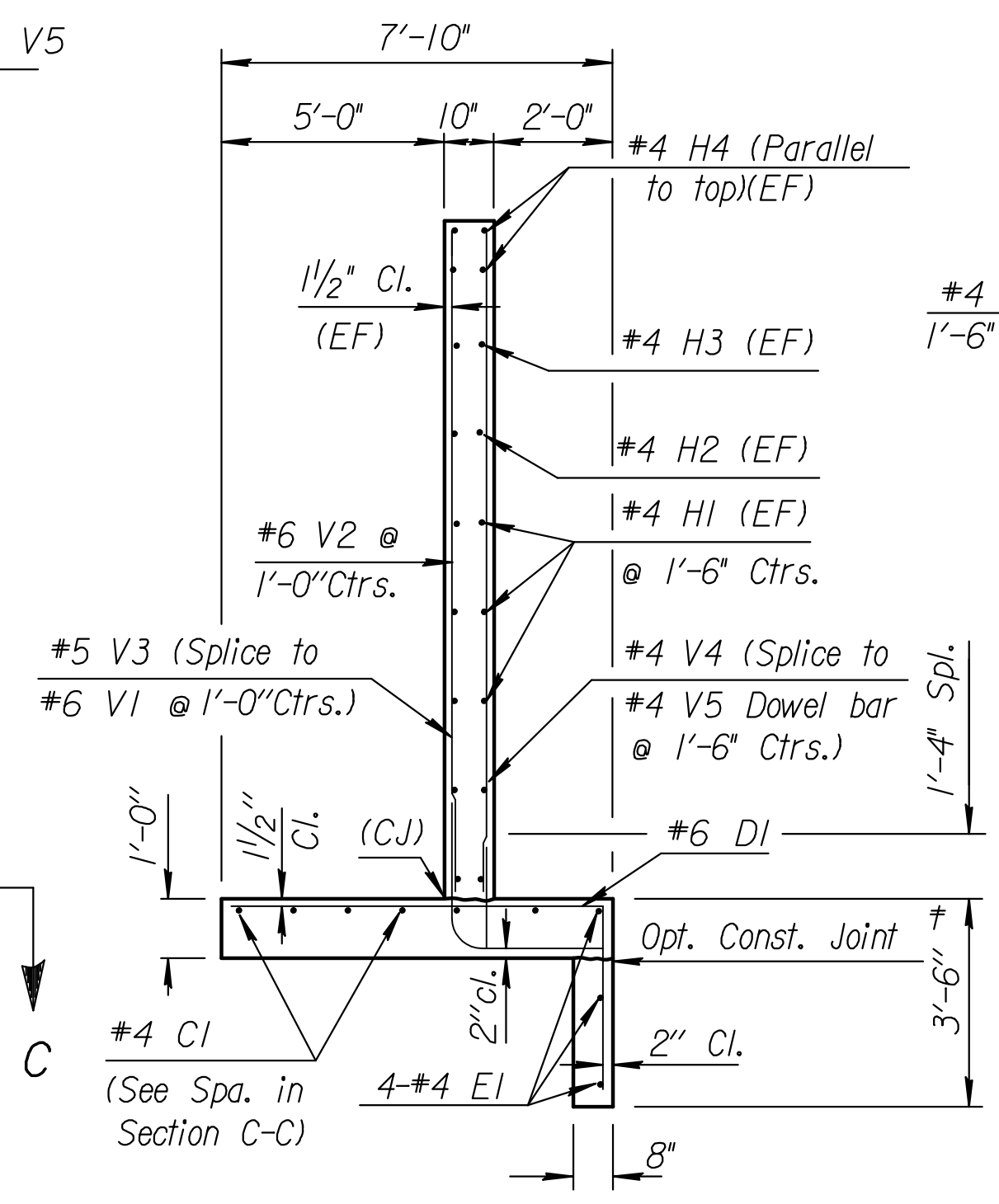
BENDING DIAGRAM

(All dimensions are out to out of bars.)



ELEVATION OF WINGWALL
(Backface Shown)

See "RCB Aux. Details" sheet for requirements of Wingwall Subbase.

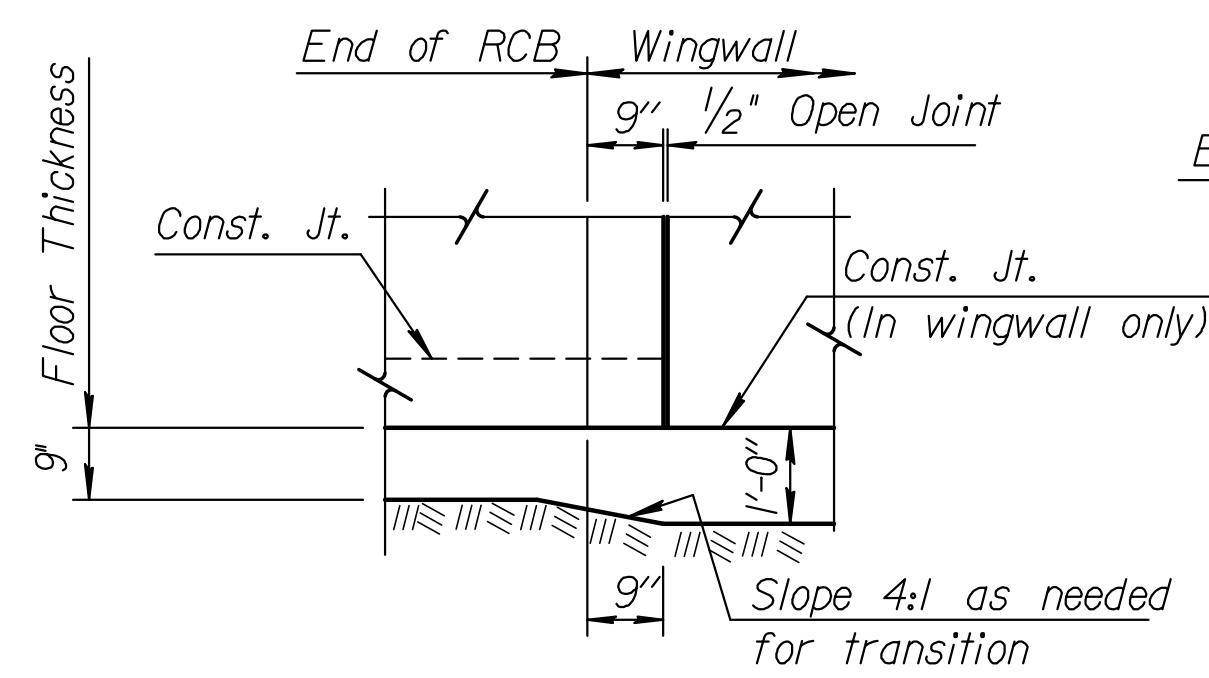


SECTION A-A

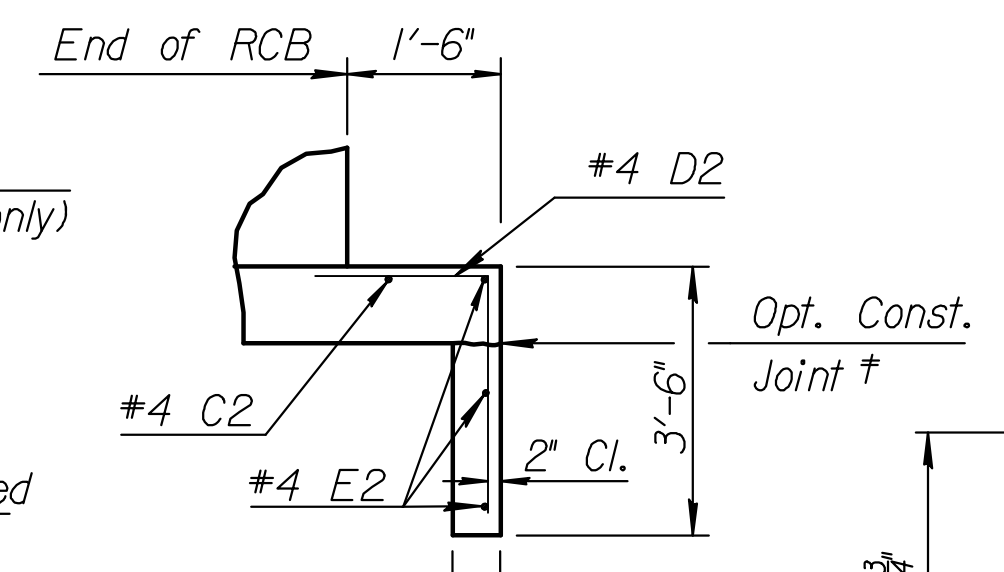
NOTE:
EF = Each Face
NS = Near Side
FS = Far Side
CJ = Const. Joint

WINGWALL JOINT DETAIL
(Plan View)

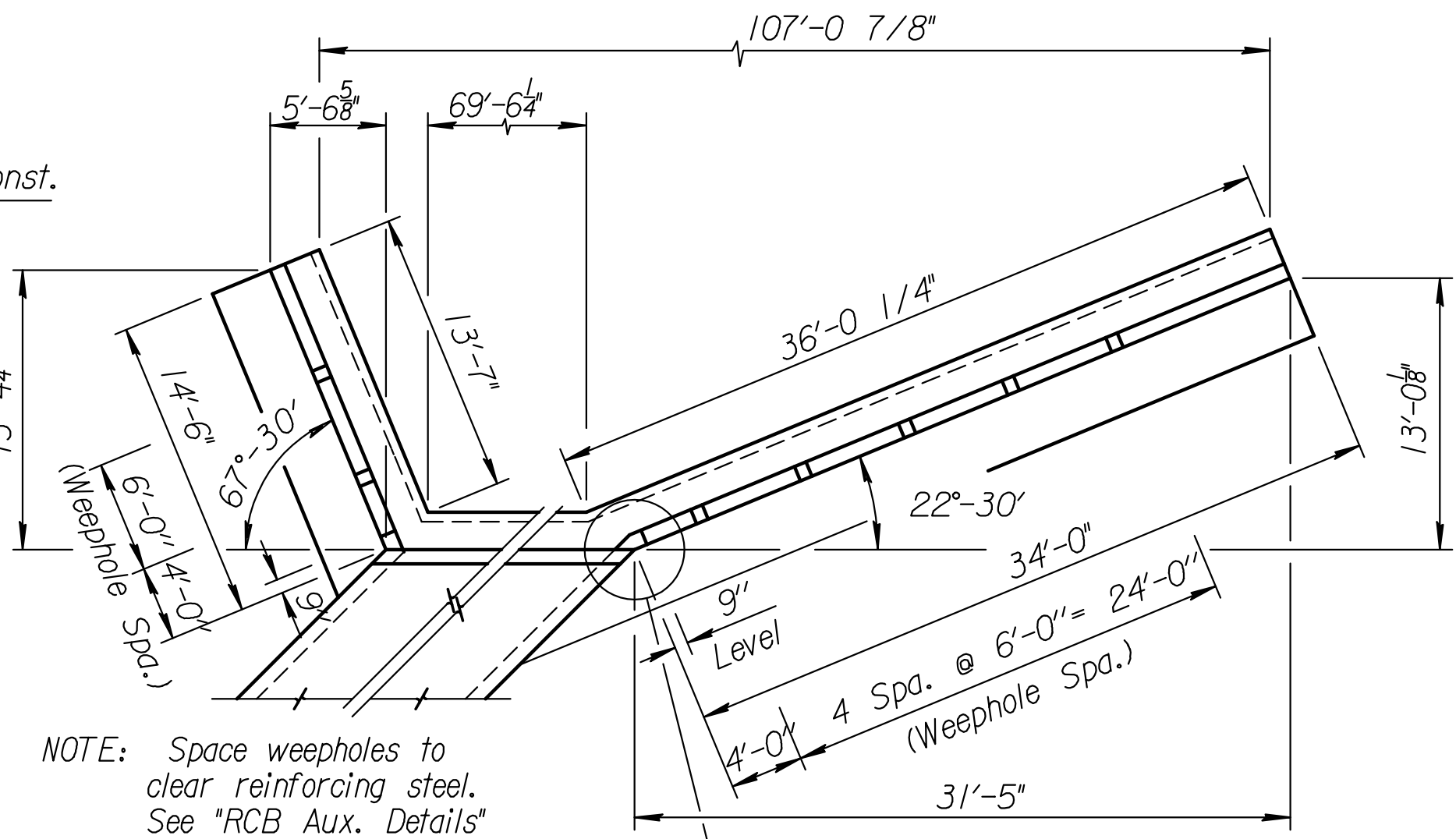
* NOTE: Const. Jt. may be used at Contractor's option when approved by the Engineer. DI bars or mesh may be spliced thus: Minimum overlap shall be 1'-3". No increase in quantities or cost shall be allowed when Contractor elects this option.



VIEW D-D

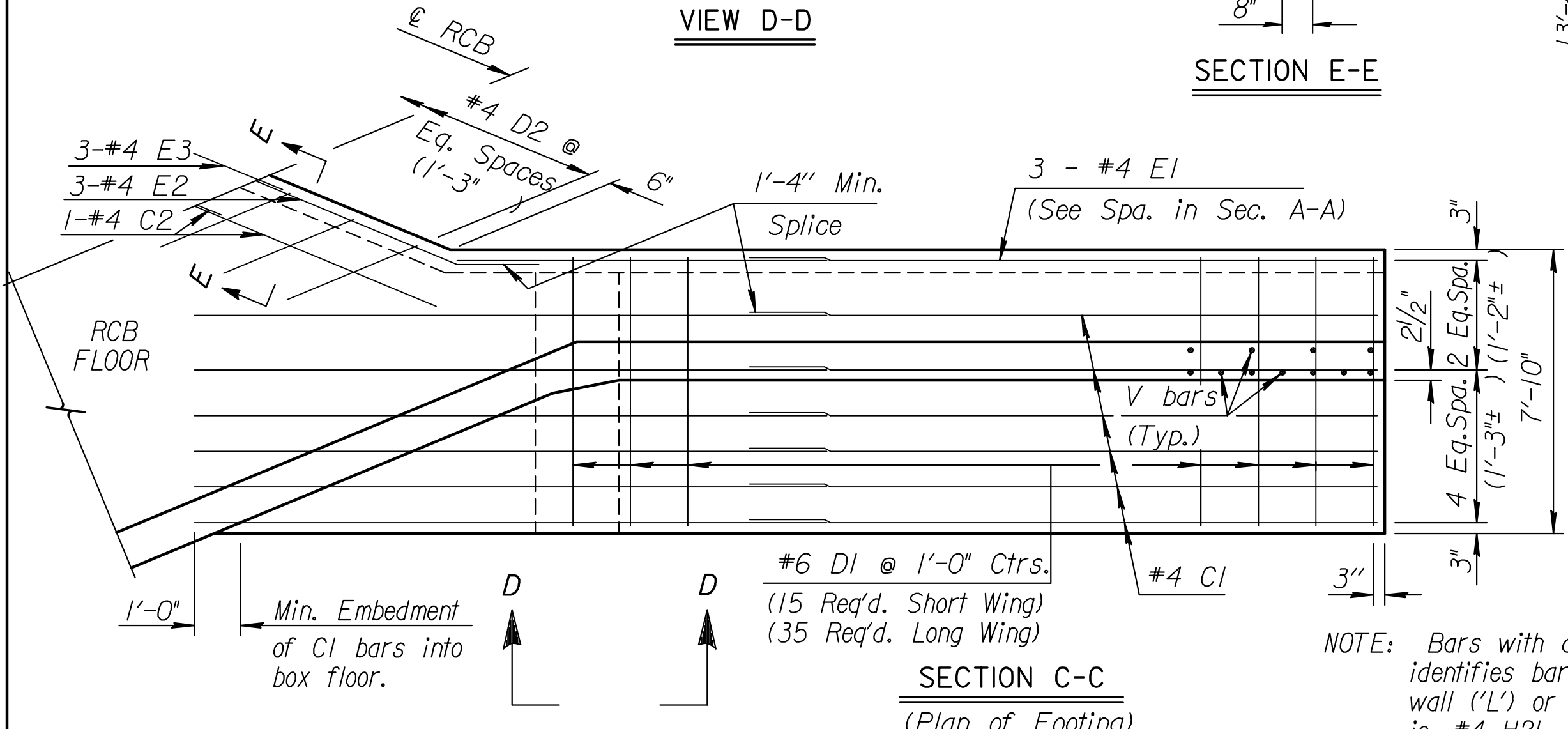


SECTION E-E



WING DIMENSIONS FOR 45° SKEWED BOX
(3/2:1 Embankment Slope)

NOTE: Space weepholes to clear reinforcing steel. See "RCB Aux. Details" sheet for additional weephole details.



SECTION C-C
(Plan of Footing)

NOTE: Reinforcing Bar List is for both wings at one end of box only.

Quantities listed below are included in the Summary of Quantities shown on the RCB details.

WINGWALL QUANTITIES (One End Only)		
Concrete (Gr. 4.0)	37.73	C.Y.
Reinforcing Steel (Gr. 60)	3787.99	Lbs.

45° Skew	Mark	#4CIS	#4CIL	#6DI	#4EIS	#4EIL	#4C2	#4D2	#4E2	#4E3	#6VI	#6V2	#5V3S	#5V3L	#4V4S	#4V4L	#4V5	#4V6	#4HIS	#4HIL	#4H2S	#4H2L	#4H3S	#4H3L	#4H4S	#4H4L	#4H5S	#4H5L	#4H6S	#4H6L	#4H7
	Number	6	12	50*	3	3	2	56*	3*	3*	48*	46*	14	34	9	22	31	6	10	10	2	2	2	2	4	4	7*	7	7*	7*	14*
	Length	17'-0"	22'-11"	10'-9"	13'-7"	18'-8"	35'-6"	6'-9"	36'-10"	36'-10"	5'-6"	8'-9"	*	*	*	*	2'-3"	10'-0"	13'-5"	32'-11"	7'-8"	18'-9"	2'-0"	2'-0"	13'-7"	33'-1"	2'-6"	3'-0"	2'-6"	2'-5"	3'-4"

J:\Civil\04221\dwg\RCB\04221WING.dwg 07/21/2008 05:24:31 PM CST

KANSAS DEPARTMENT OF TRANSPORTATION
STA. 6+52.98

FLARED WINGWALLS
(9 FT. RISE)(45° SKEW)

PROJECT NO. 87N-0357-01 SEDGWICK CO.

M K E C ENGINEERING CONSULTANTS, INC.
WICHITA, KANSAS

DESIGNED BY: JAG CHECKED BY: KJS
DRAWN BY: DPG DATE: SHEET 76 OF 185