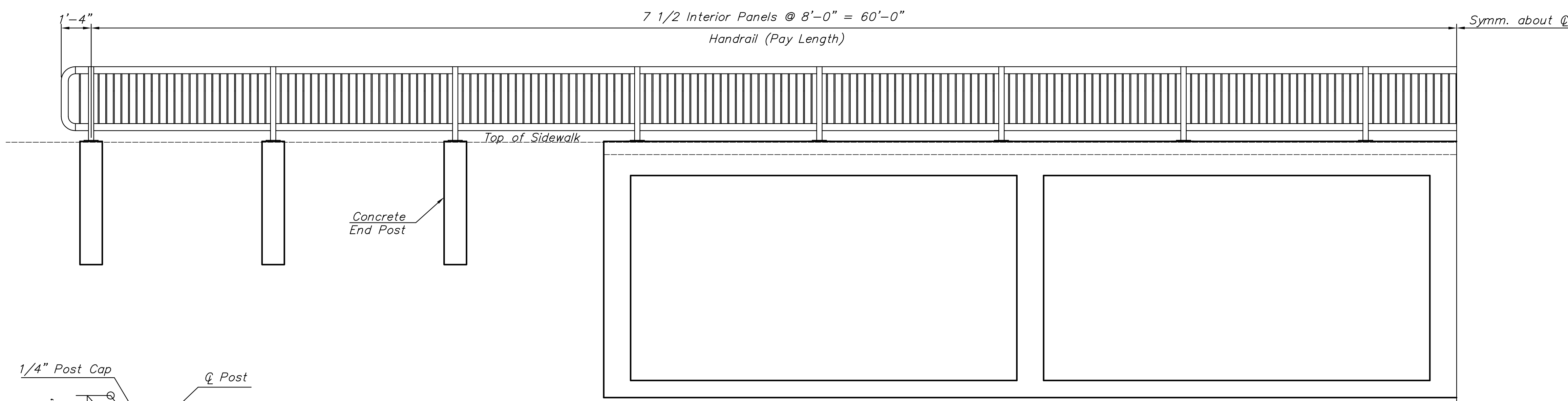


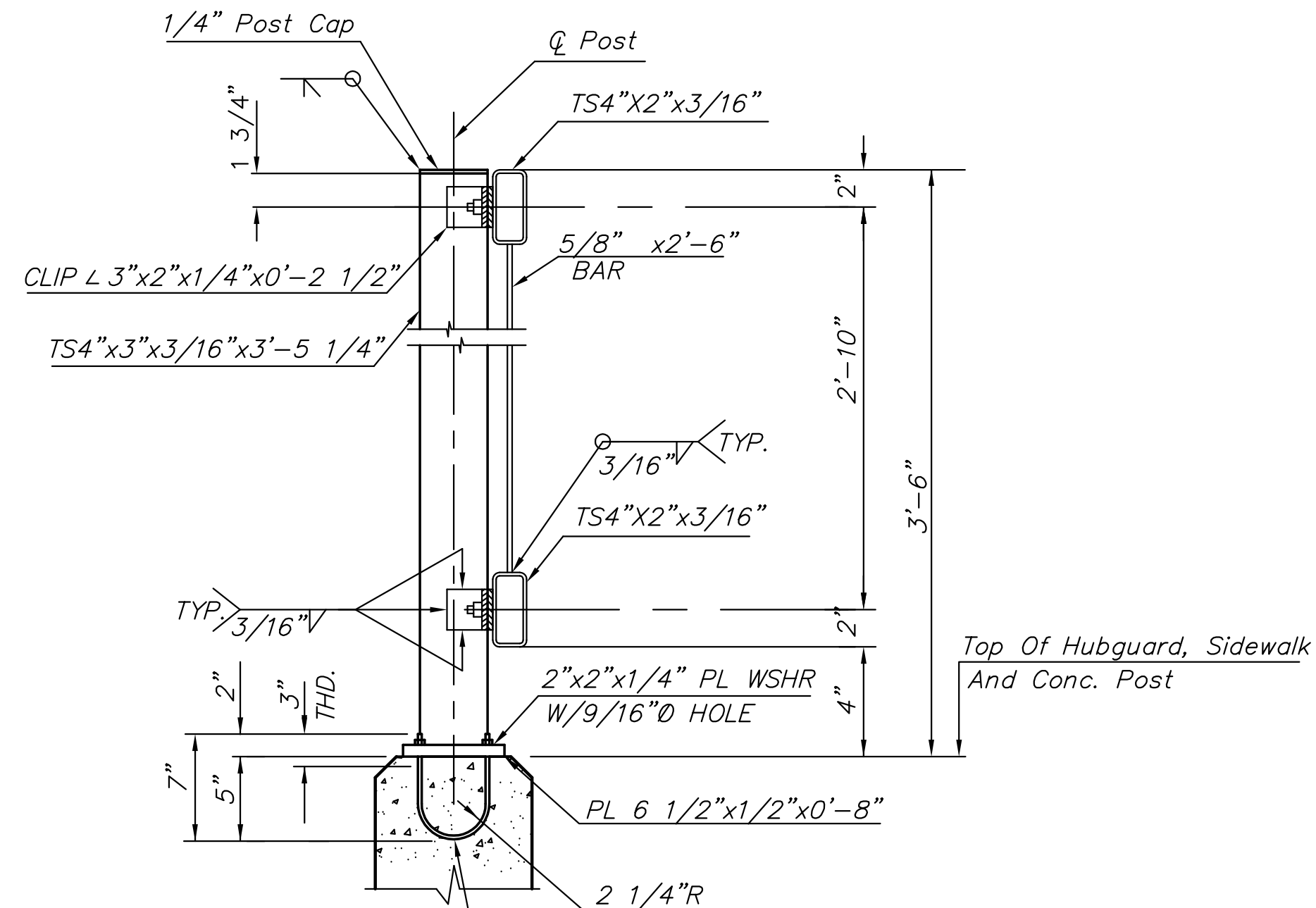
STATE	PROJECT NO.	YEAR	SHEET NO	TOTAL SHEETS
KANSAS	87 N-0357-01	2008	79	185



HANDRAIL NOTES

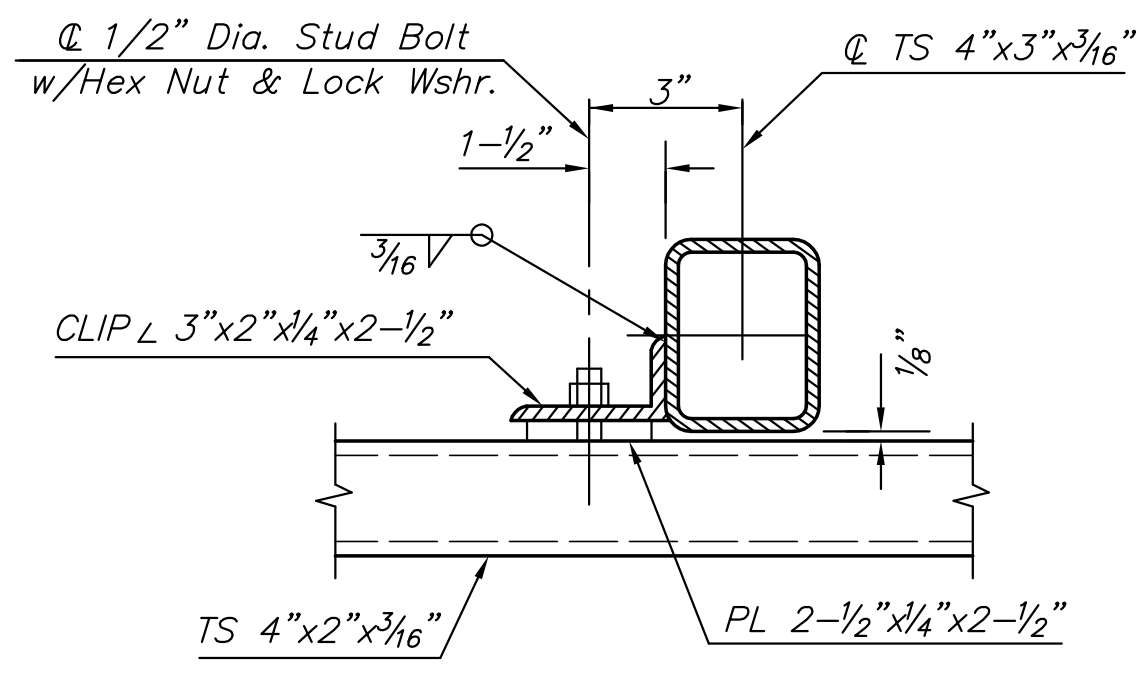
- The rail members shall conform to ASTM Designation A36 or equivalent.
- Rail shall be fabricated in lengths to include a minimum of two and a maximum of three panels. Posts shall be set vertical. Shims may be used between concrete and base plates of posts.
- All parts of handrail shall be painted. The primer coat shall conform to the inorganic zinc system. Surface preparation shall be in accordance with that for structural steel. The finish coat shall be in accordance with water-borne acrylic finish coat.
- The Contractor shall submit color chart for approval by the City. The color shall be "black (carboline C900)".
- All materials, equipment and labor necessary for the installation of the handrail shall be subsidiary to the bid item.

4 - 12'x9' RCBB (45° SKEW)
Sta. 6+52.98

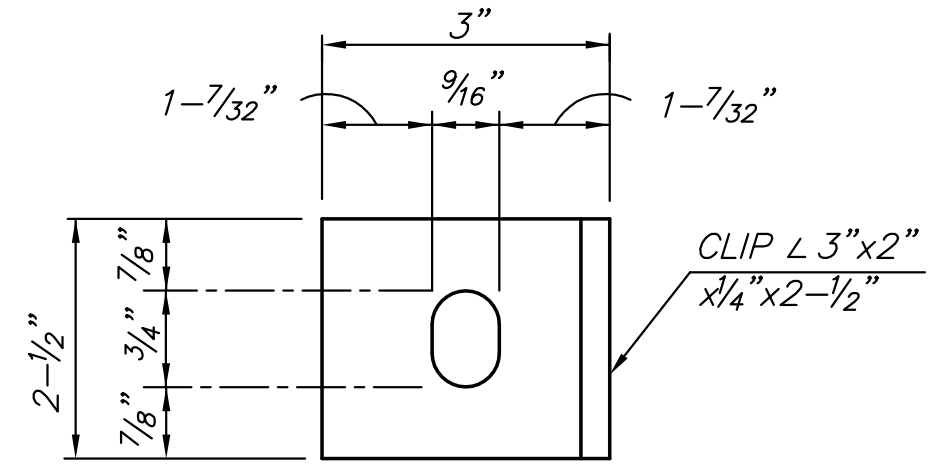


1/2" U-bolts w/Hex Nuts, PL Wshrs & Lock Wshrs (Drill and epoxy grout 1/2" Anchor bolt in exist. hubguard in lieu of u-bolts)(All galv.)(Use HILTI HIT HY 150 Adhesive Anchors)

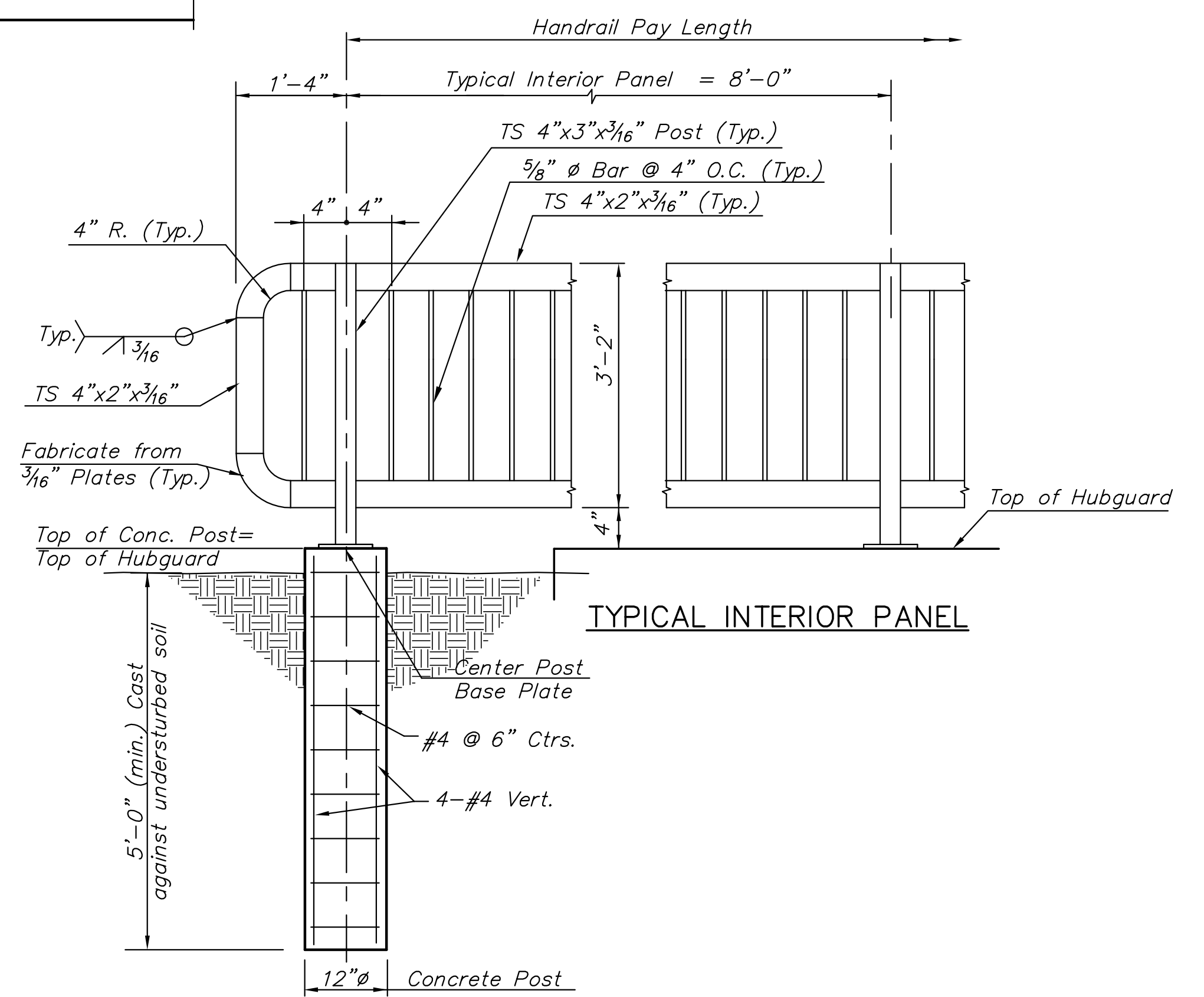
TYPICAL RAIL SECTION
NO SCALE



RAIL CONNECTION DETAIL

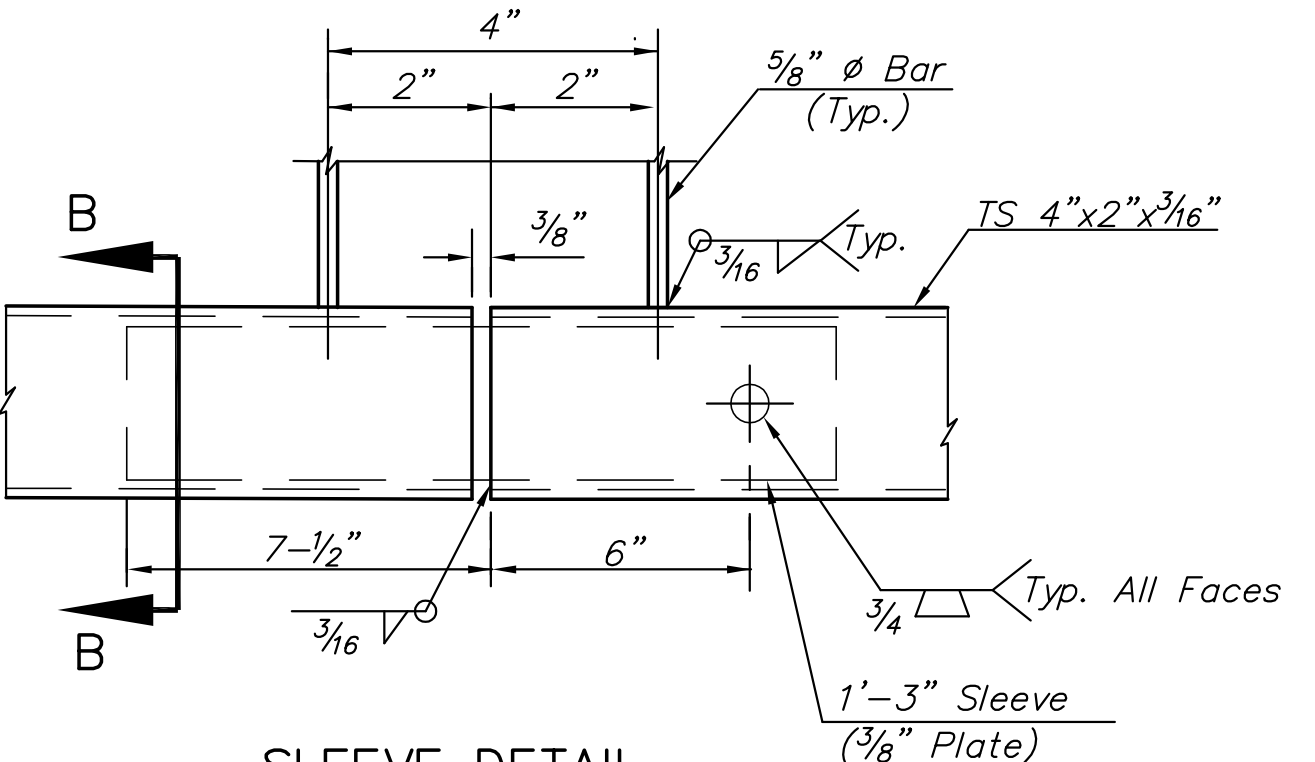


CLIP DETAIL



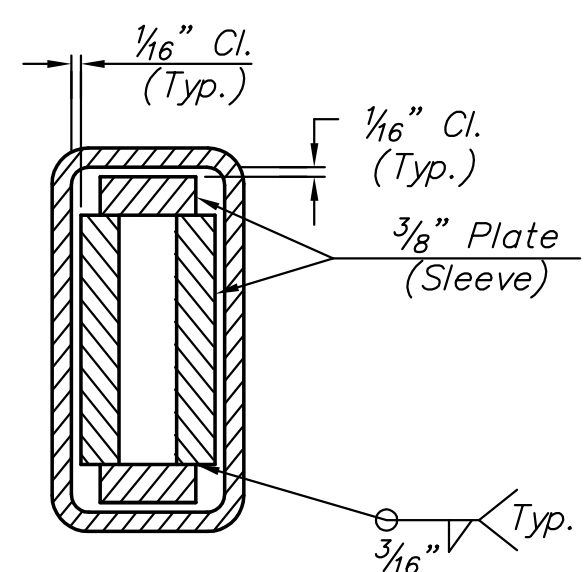
CONCRETE POST DETAIL

Concrete Post shall be Subsidiary to "Handrail (Steel)".
Locate concrete post where specified on plans

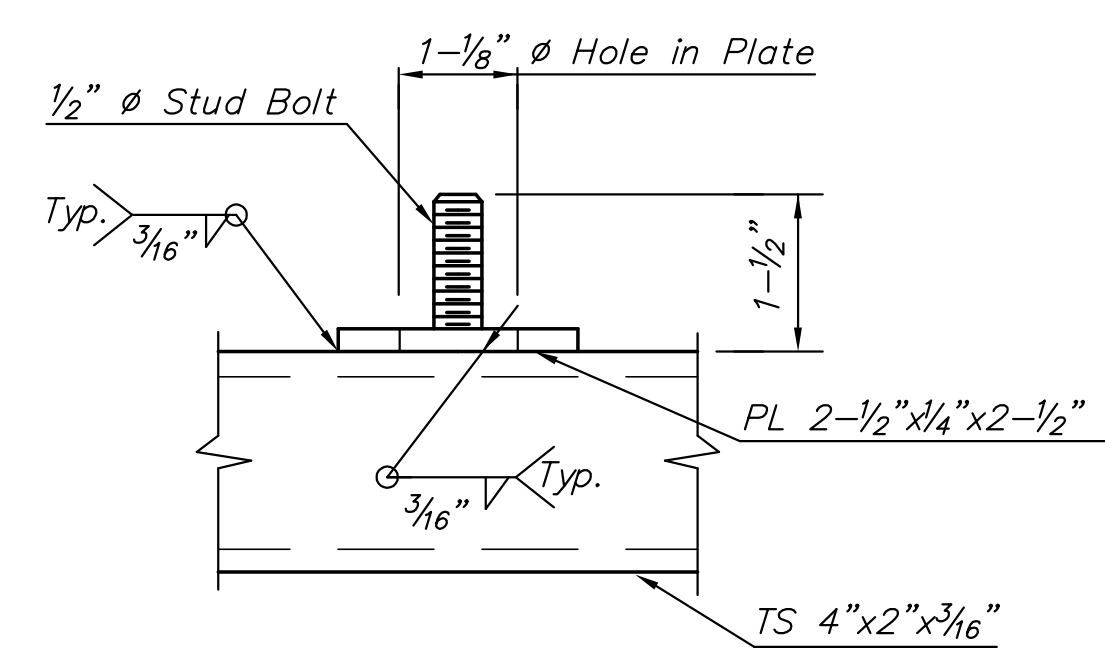


SLEEVE DETAIL

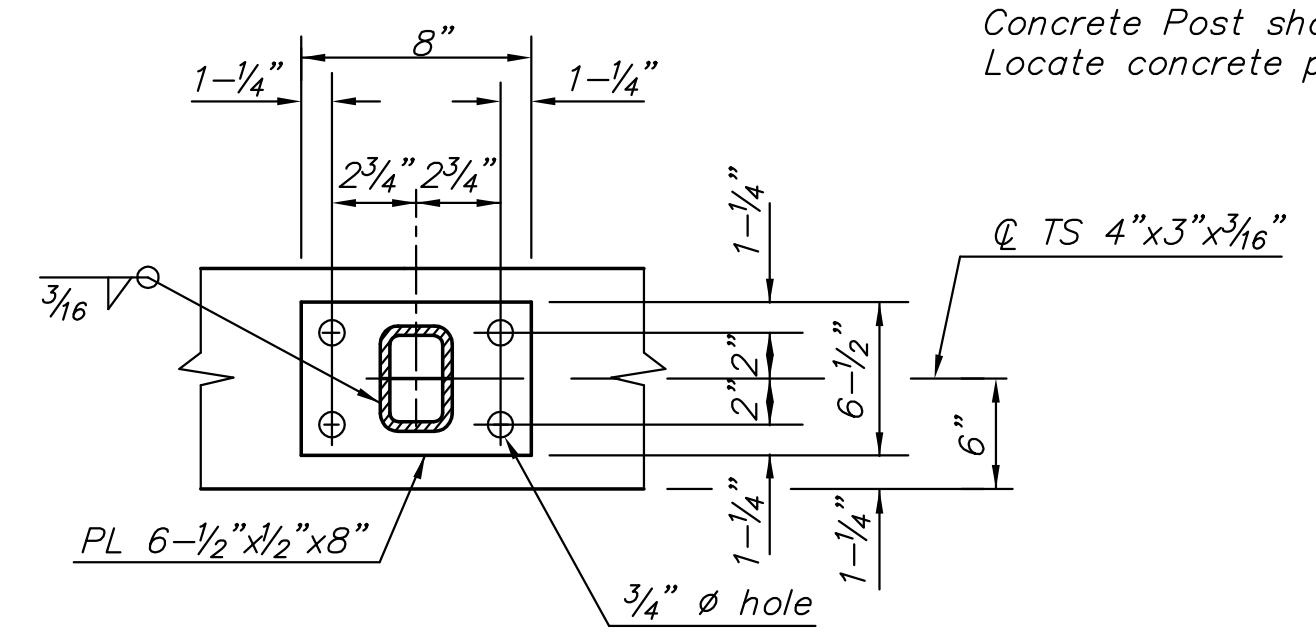
(Bottom Rail Shown, Top Rail Similar)



SECTION B-B



STUD BOLT DETAIL



BASE PLATE DETAIL

J:\Civl\04221\dwg\RCB\04221hnd.dwg 07/07/2008 05:25:52 PM CST

NO.	DATE	REVISIONS	BY	APP'D
2				
1				

KANSAS DEPARTMENT OF TRANSPORTATION
OLIVER STREET BRIDGE OVER DRY CREEK
HANDRAIL DETAILS
PROJ. NO. 87 N-0357-01 SEDGWICK CO.
MKEC ENGINEERING CONSULTANTS, INC.
WICHITA, KANSAS

DESIGNED BY:	KJS	CHECKED BY:	KJS
DRAWN BY:	RSB	DATE:	DEC 05

SHEET 79 OF 185