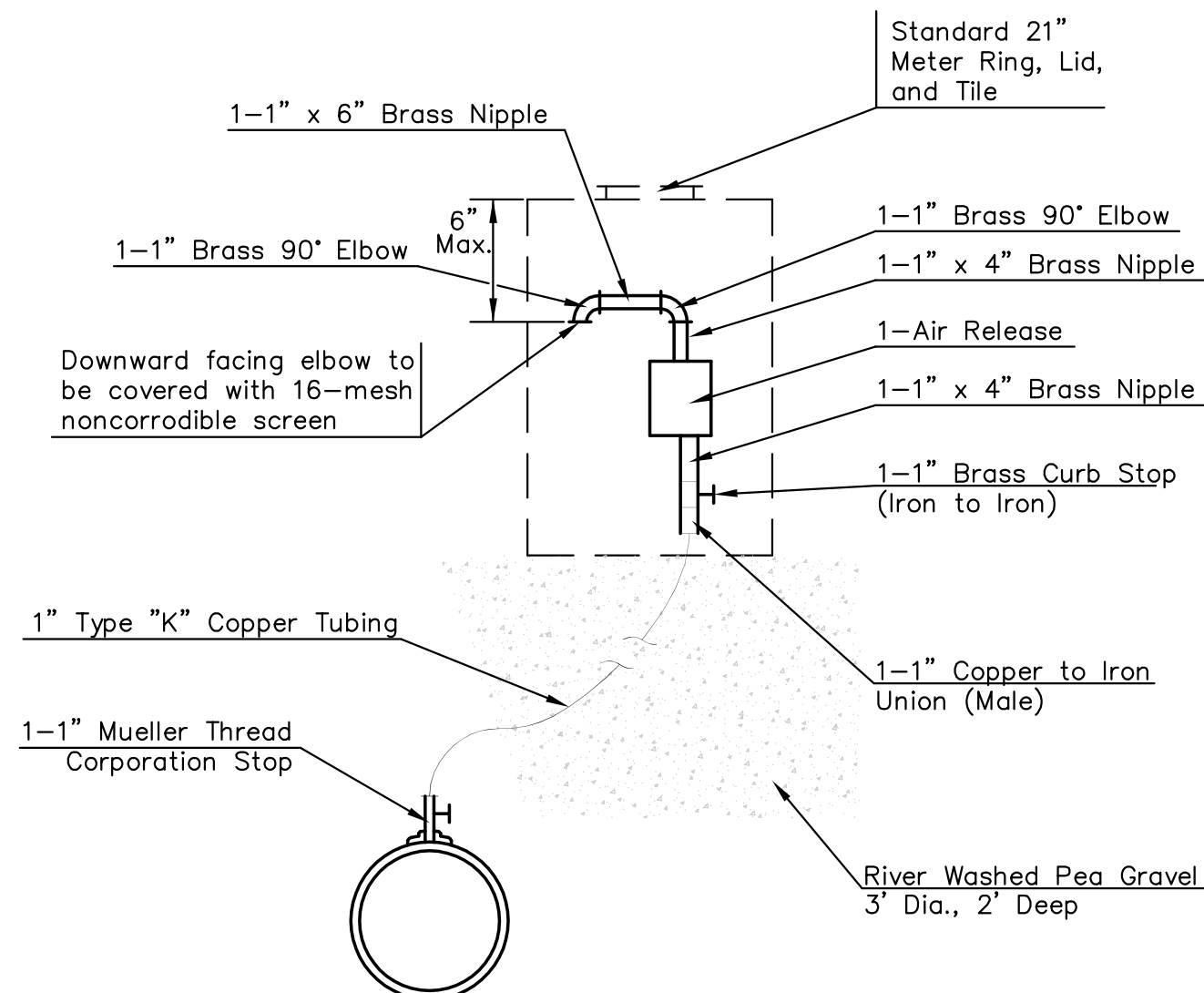


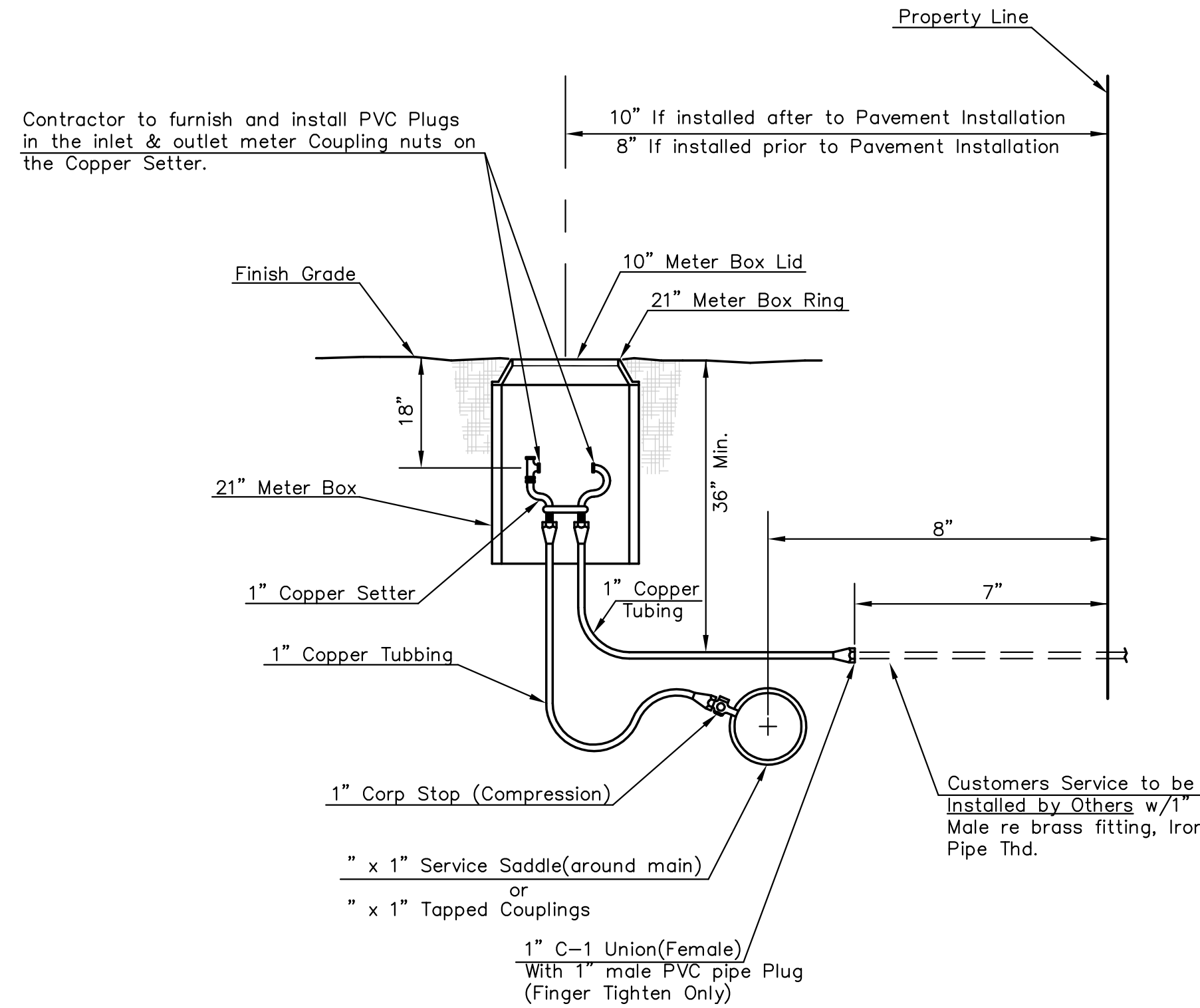
Note: Service Saddles are not required on top of 8" mains or larger  
 Meter boxes will be located on each lot to be served, as indicated in the SPECIAL PROVISIONS

**TYPICAL METER SETTING  
 LONG SERVICE 1"**

- 1 - 1" Mueller Thread Corporation Stop
- 1 - 1" Type "K" Copper Tubing
- 1 - 1" Copper to Iron Union (Male)
- 1 - 1" Brass Curb Stop (Iron to Iron)
- 2 - 1"x4" Brass Nipple
- Air Release
- 2 - 1" Brass Elbows (90°)
- 1 - 1"x6" Brass Nipple
- 1 - 21" Meter Tile
- 1 - 21" Meter Ring
- 1 - 10" Meter Lid

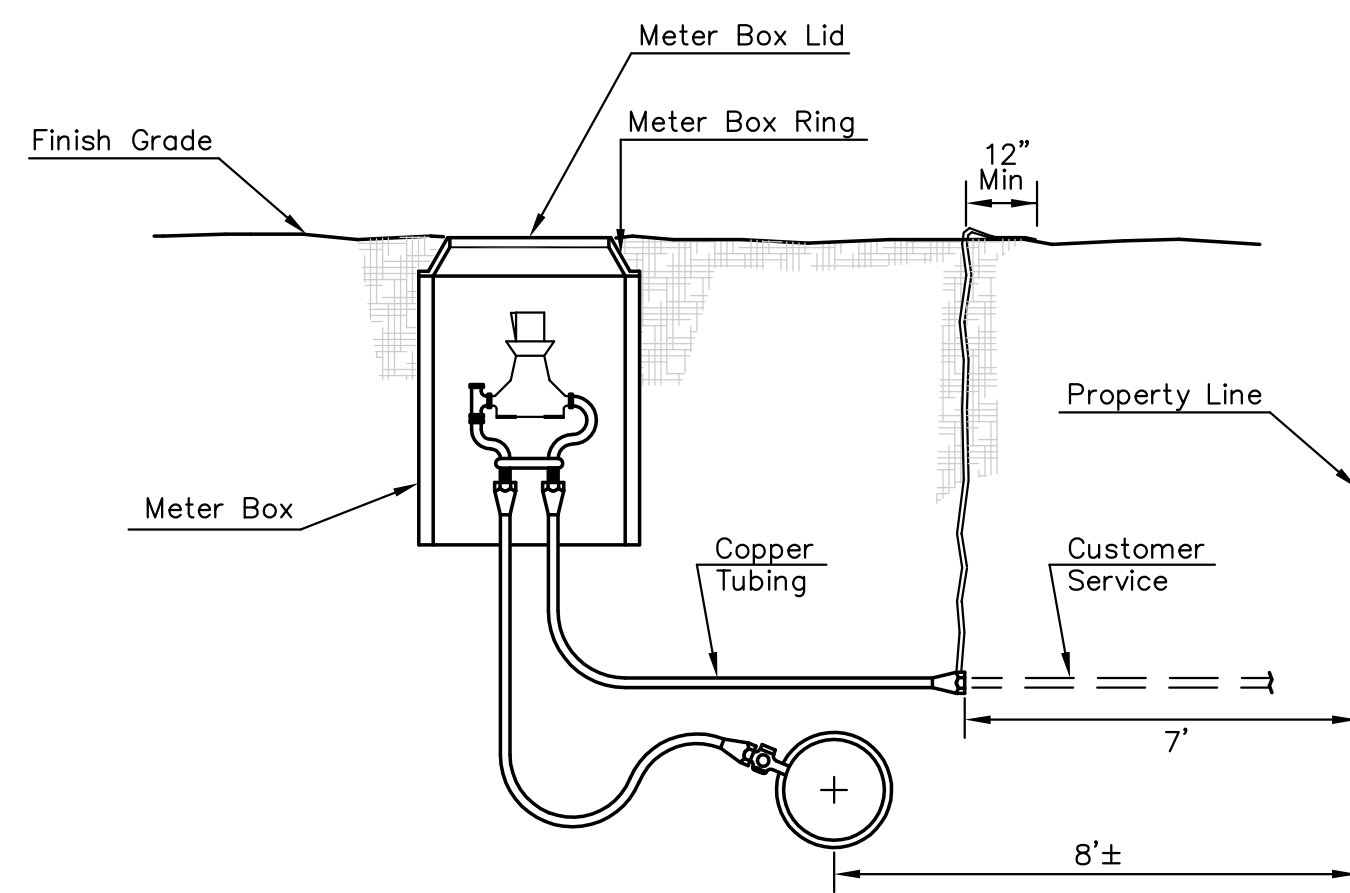


**MATERIALS FOR AIR RELEASE ASSEMBLY**



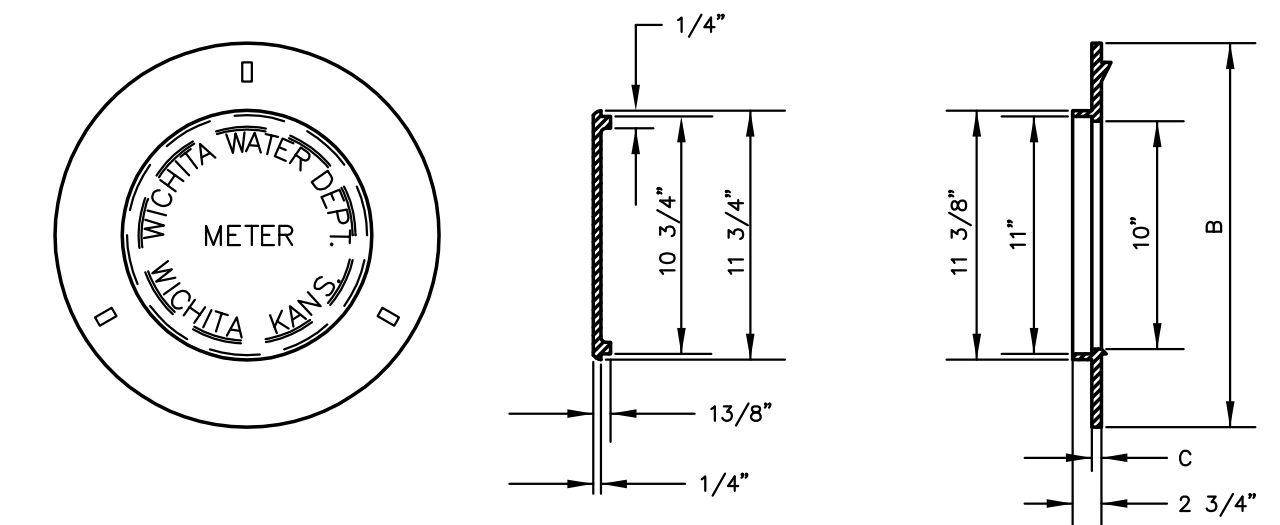
Note: Service Saddles are not required on top of 8" mains or larger  
 Meter boxes will be located on each lot to be served, as indicated in the SPECIAL PROVISIONS

**TYPICAL METER SETTING  
 SHORT SERVICE 1"**



If customers service line is not installed at the time Meter Box and Setter are installed, Plastic Flagging is to be tied to the end of copper tubing & brought straight up to top of ground and be exposed a minimum of 12" on top of ground. (Plastic Flagging to be Furnished by Contractor)

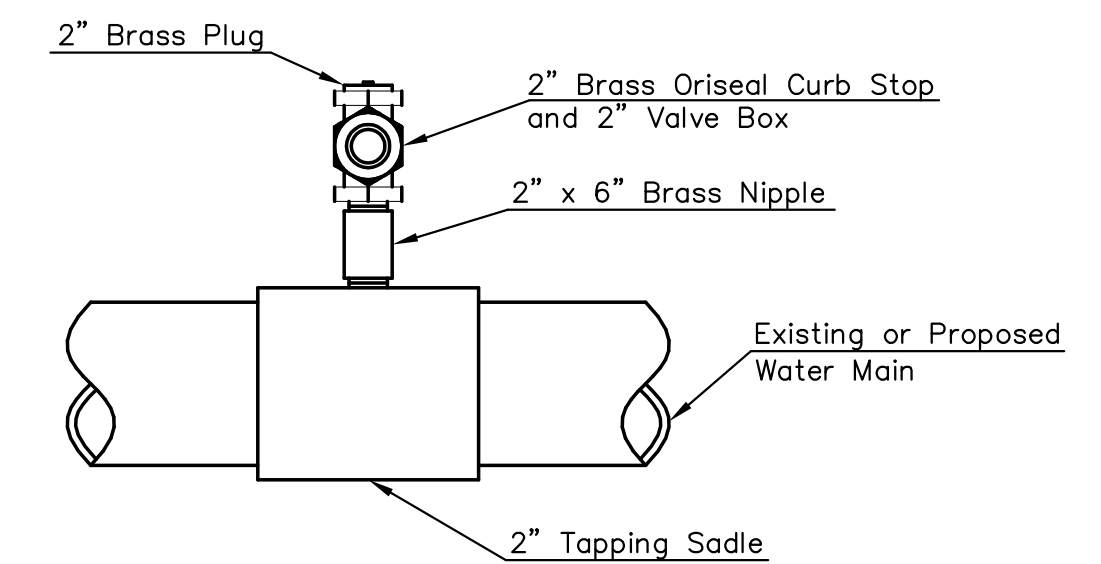
**TYPICAL METER SETTING  
 PLASTIC FLAGGING**



TITLE SIZE	Dimensions		
	A	B	C
21"	20 1/2"	25"	7/16"

Other Approved Ring And Lids: Ford Meter Box Co. Inc. 21" Ring & Lid Catalog No. C-4

**RING & LID FOR METER VAULTS**

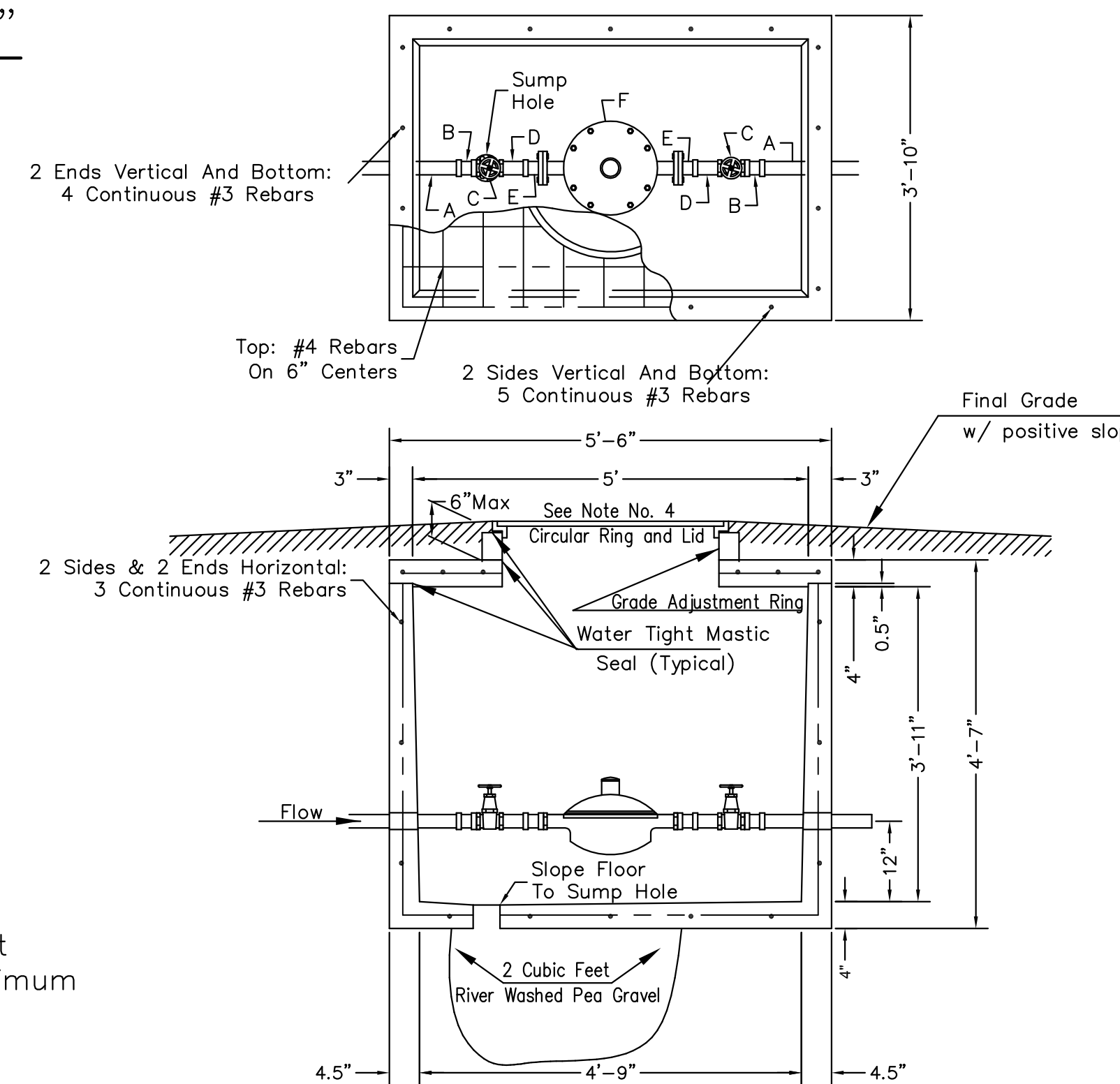


Note: Where the 2" service outlet assembly is to be used to connect a 2" main to another main, the 2" valve shall be a 2" IPT Gate Valve. 2" Ball or Globe valve shall not be approved for this use.

**2" SERVICE OUTLET ASSEMBLY**

Notes For All Services - 2" thru 12":

1. The vault shall be poured concrete, cement blocks (voids to be completely filled with 2500 P.S.I. concrete), or approved precast structure (such as Clutter Inc. vaults approved 8/1/2000). The intent of these details shall not be limited by drawings or standards of precast structures.
2. Vault location to be determined by Wichita Water & Sewer prior to construction and approved by Department's field supervisor prior to installation. A final inspection will be required for acceptance. Vault location standards include but not limited to: not to be located where subjected to vehicular loads, not to be located in any right-of-way or utility easement, and must be located on the property being served.
3. The manhole ring and lid shall be Neenah R-6034 Frame with Type "C" Solid Lid and Drop Down Handle or US Foundry APS-30x30 (Aluminum). Where applicable the standard 10" Wichita Water & Sewer pattern meter reading lid and ring shall be located directly above water meter register. All meter registers shall have an approved lid directly vertical above. All joints of concrete to concrete or metal to concrete in the construction of the vault shall have an approved water tight mastic joint seal.
4. Any fittings or appurtenances required to achieve proper elevation of pipe through the vault shall be provided by the contractor and appropriately noted on as-builts submitted by the inspecting engineer. Such fittings shall be a minimum of 2' from the exterior wall of vault.
5. All valves, meters, assemblies, and fittings shall be provided with sufficient concrete or other approved supports to the vault floor.
6. The "Confined Space Warning" sign shall be fastened to the top of all vaults. If necessary for landscaping or site considerations, the sign may be fastened to the vault lid if it does not impede access to the handle. Acceptable materials: Aluminum 73415HH, Plastic 73439HH, or S.A. Vinyl 73463HH.
7. All meters shall have an electronic read register compatible with the current City of Wichita meter reading system. All detector meters shall be an 5/8 cubic foot Badger meter with ERT register or approved equal. Gallon meters shall not be accepted.
8. The Bid Item "2" Service and Set" will include: Vault, meter, all valving and pipe within the vault, manhole ring and lid, and connections to the private Service line and City Water Supply.



**2"DS**

- A - 2" PVC or Copper (to be extended completely through vault to ensure proper alignment)\*
- B - 2" F PVC to M Iron or 2" F Copper to M Iron\*\*
- C - 2" Bronze IPT Gate Valve, Wheel Operated\*\*
- D - 2" x 4" or 2" x 6" Brass Nipple\*\*
- E - Lok-Pak Meter Couplings\*\*
- F - 2" Meter\*\*

\* = Contractor Installed  
 \*\* = Installed By Wichita Water & Sewer

<p>THE CITY OF WICHITA</p> <p>CITY ENGINEER'S OFFICE        CITY HALL - SEVENTH FLOOR        455 NORTH MAIN STREET        WICHITA, KANSAS 67202        (316) 268-4501        (316) 268-4114 FAX</p>	<b>STANDARD        WATER SERVICE        DETAILS</b>	
	JIM ARMOUR, P.E. - CITY ENGINEER	
	PROJECT NUMBER 472-83873	INDEX CODE 620377
	DATE DEC 05	SHEET <b>95</b> OF <b>185</b>