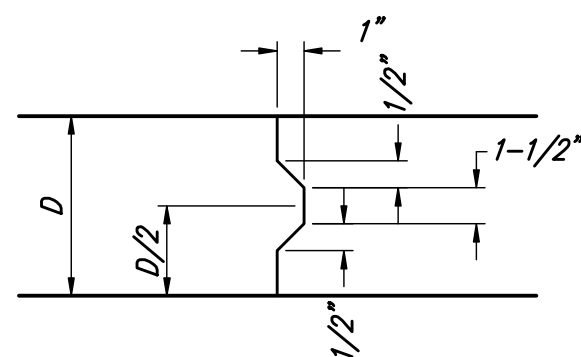
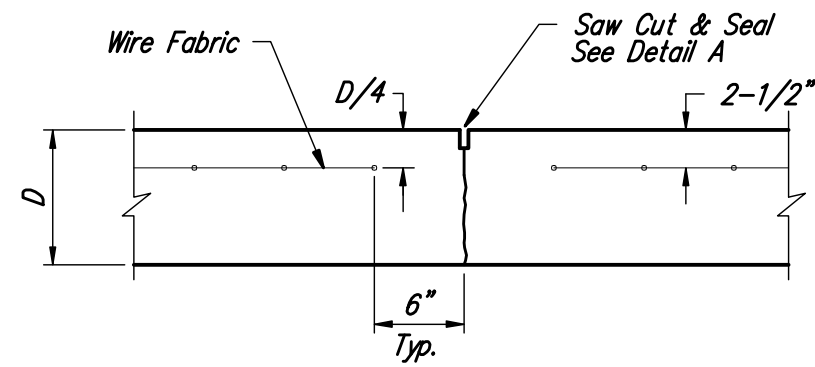


EXPANSION JOINT

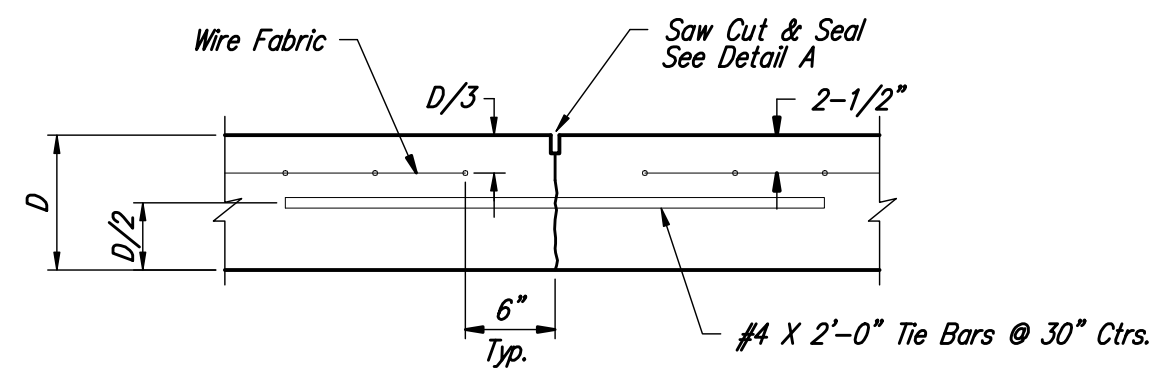
NOTE: Extra Thickness to be Subsidiary to Price of Square Yards Pavement



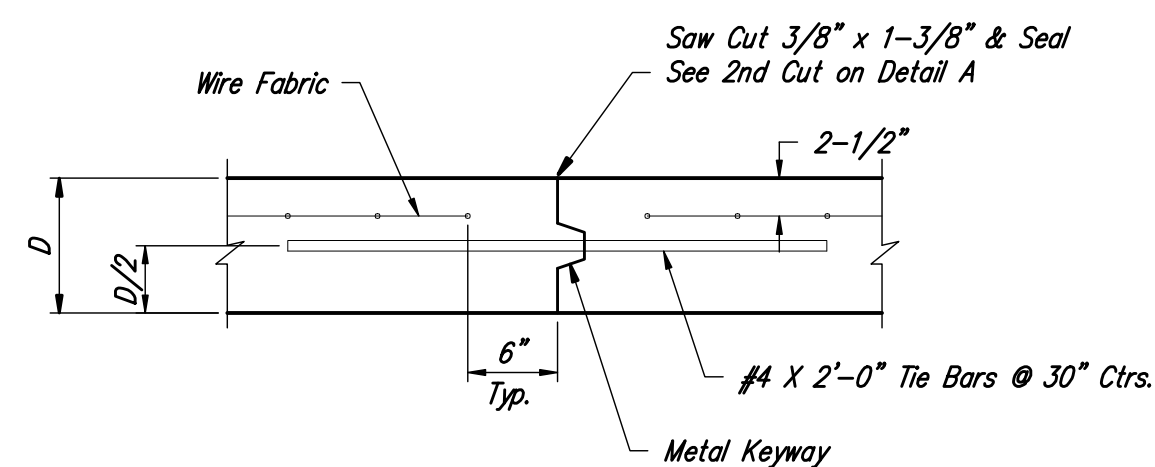
KEYWAY DETAIL



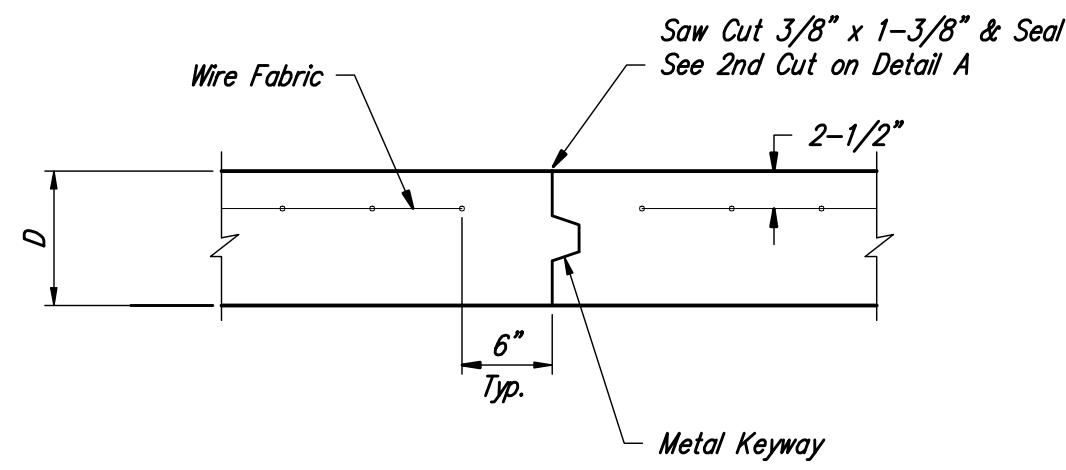
CONTRACTION JOINT DETAIL (C.J.)



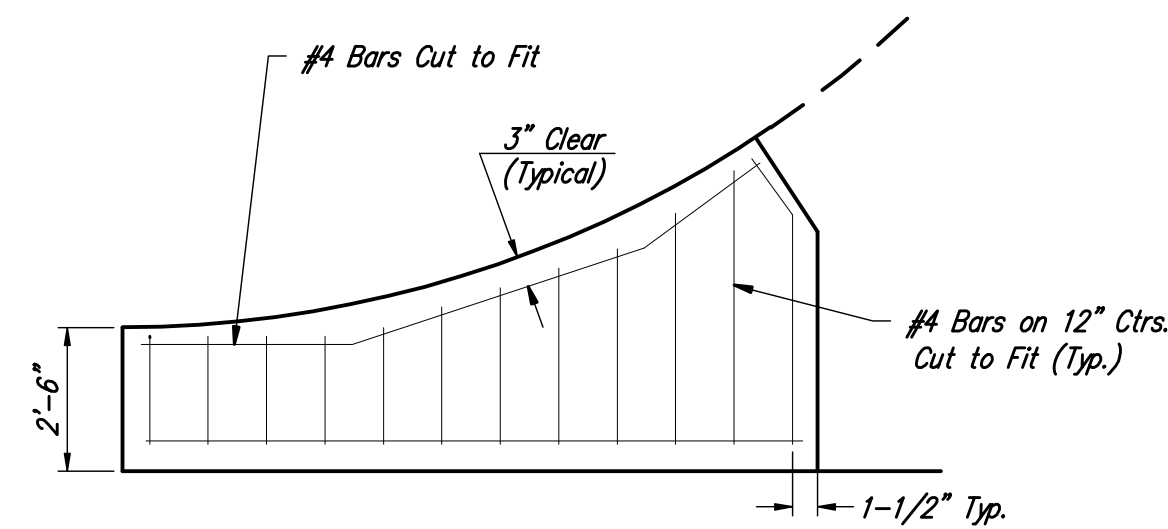
LONGITUDINAL JOINT DETAIL (L.J.)



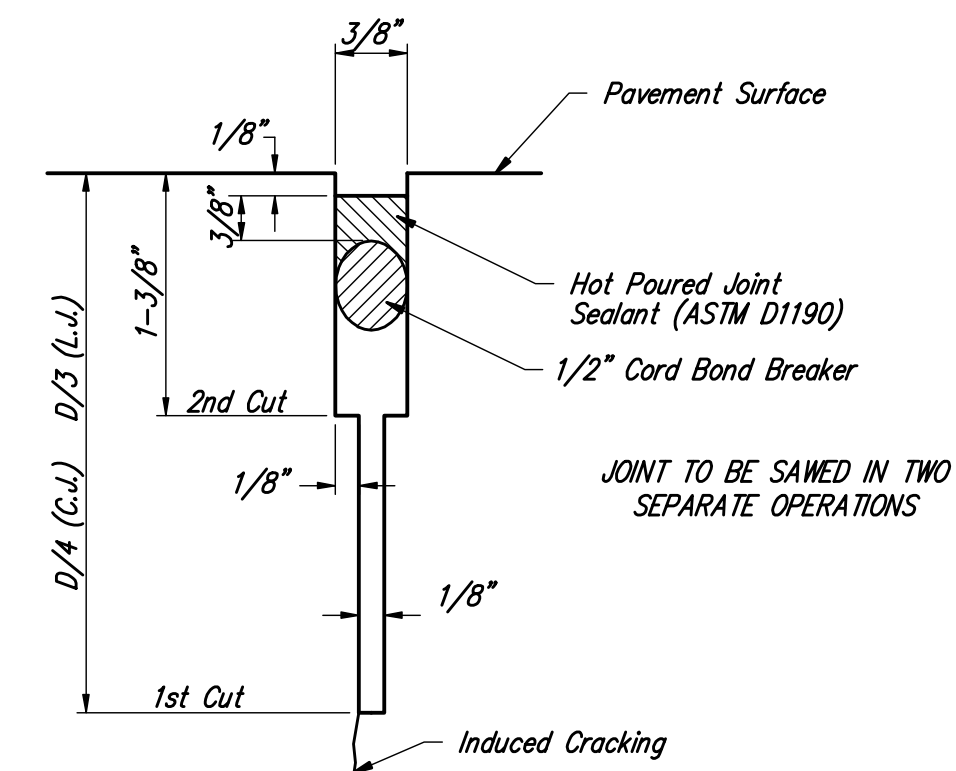
OPTIONAL LONGITUDINAL JOINT DETAIL (L.J.)



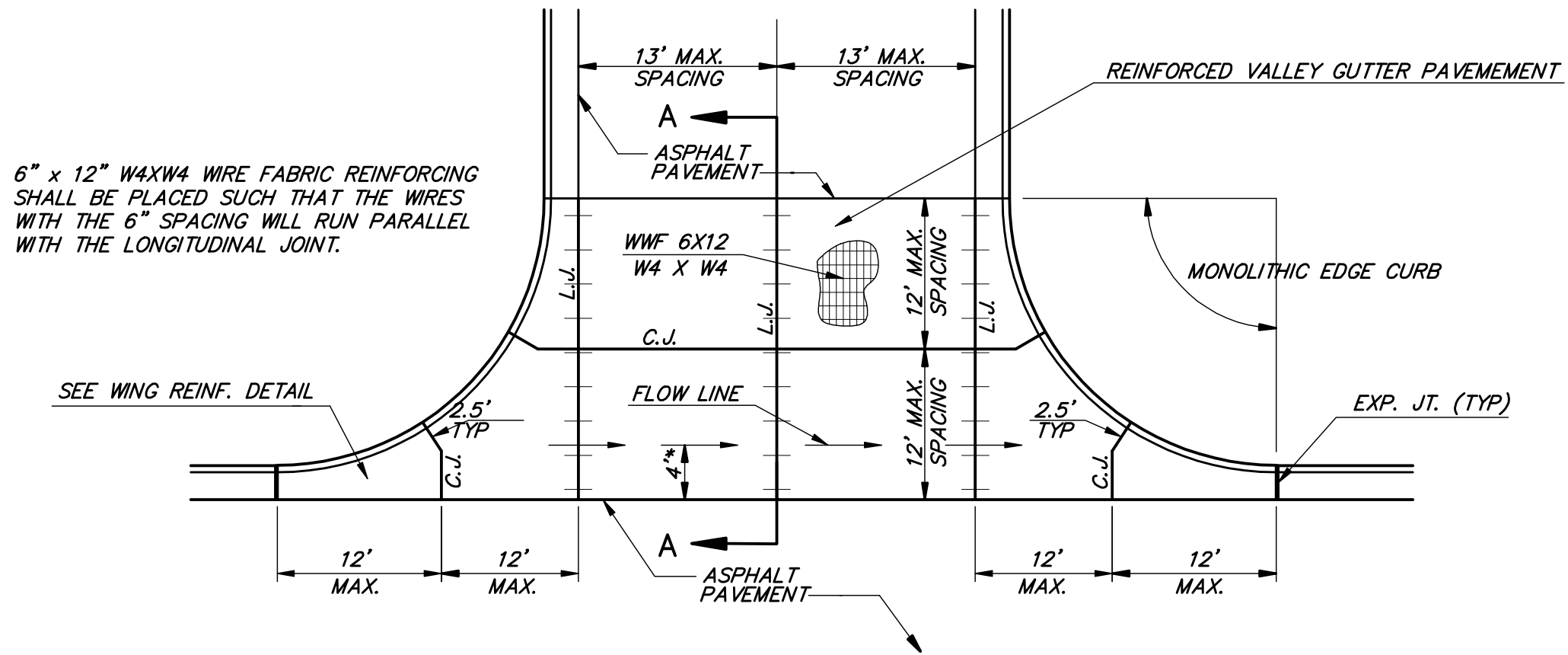
OPTIONAL CONTRACTION JOINT



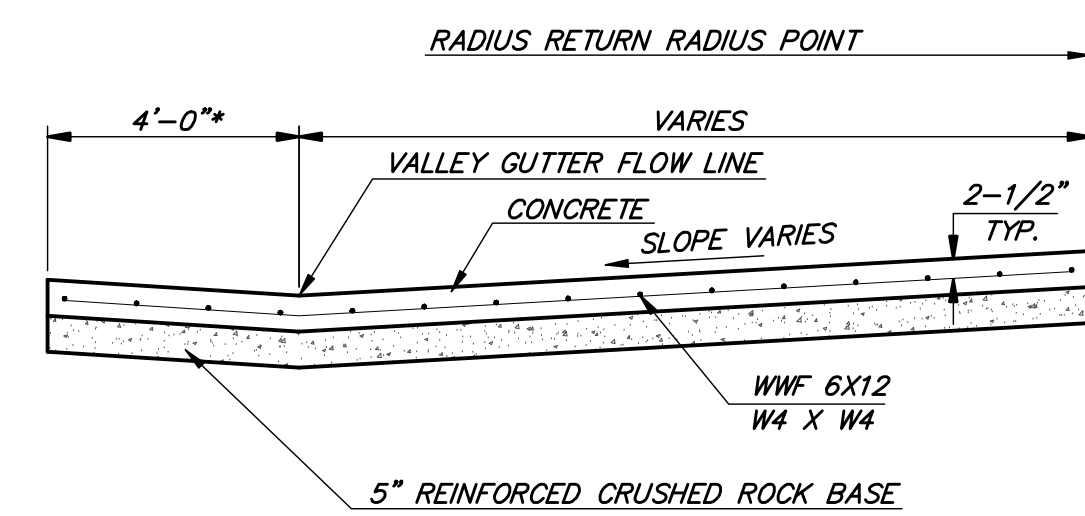
WING REINFORCING DETAIL



SAW JOINT DETAIL



PLAN

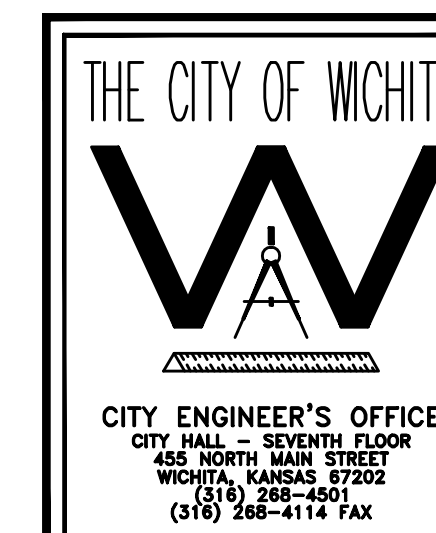


SECTION A-A

REINFORCED VALLEY GUTTER DETAIL

$D = 5''$

* Distance to FL is 2' at All Locations Except at Central Ave. Connection



REINFORCED CONCRETE VALLEY GUTTER DETAILS

JAMES L. ARMOUR, P.E. - CITY ENGINEER

DATE
MAR 07

FINAL

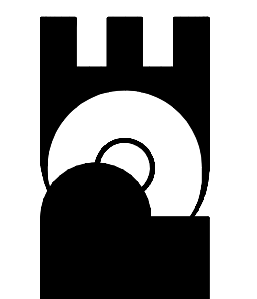
Designed By: S. Schmidt/J. Ubert
Drawn By: A. Moss
Poe Job No.: 1879A

Date: September 2008

Sheet
27 of 44

PARKSTONE ADDITION
STREET IMPROVEMENTS
VALLEY GUTTER DETAILS
CITY OF WICHITA, KANSAS
JAMES L. ARMOUR, P.E. - CITY ENGINEER
Private Project # 472-85471 O.C.A. # 766166

POE & ASSOCIATES, INC.
CONSULTING ENGINEERS
5940 E. Central, Suite 200 • Wichita, KS 67208-0242
Phone 316/685-4114 • FAX 316/685-4444



No.	Date	By	Approved	Revision
1				
2				
3				