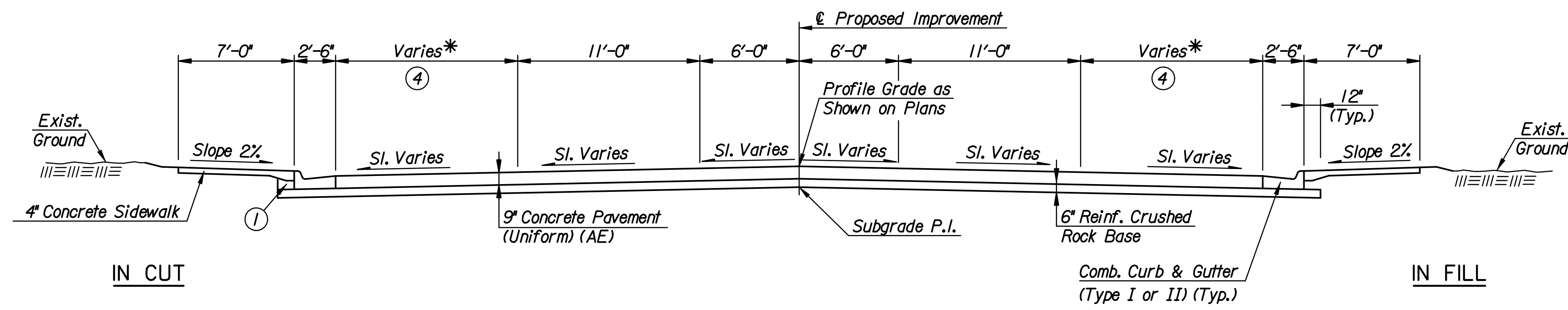
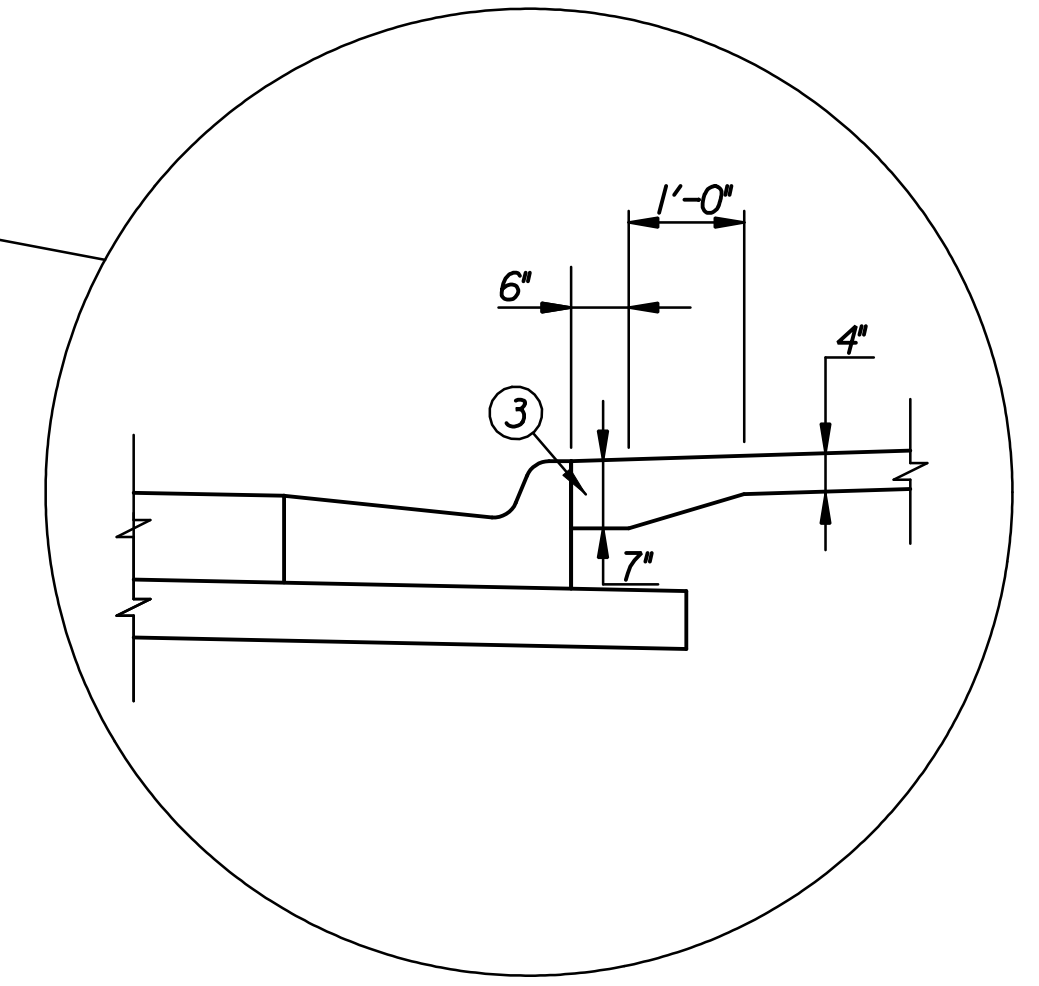


TYPICAL SECTION
Waterman St. Sta. 132+23 to Sta. 133+59.73

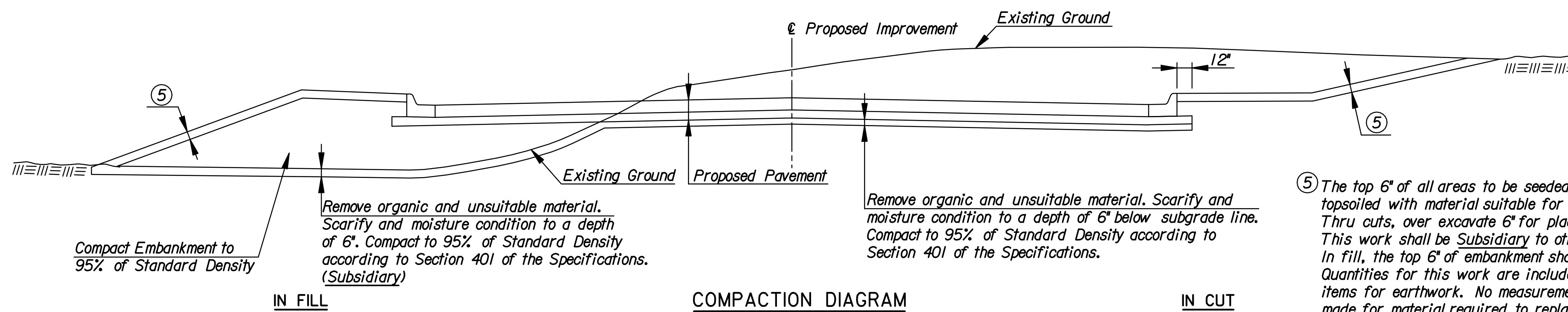


TYPICAL SECTION
Waterman St. Sta. 133+59.73 to Sta. 134+99



CONCRETE SIDEWALK THICKENED EDGE
DETAIL (TYP.)

- ① Backfill behind curb. Quantities for this work are included in the Earthwork Summary Table.
- ② Existing Sidewalk and Combined Curb and Gutter to remain from Sta. 132+23 to Sta. 132+48 (Lt.) and Sta. 132+23 to Sta. 132+41.50 (Rt.)
- ③ The additional thickness of concrete adjacent to combined Curb & Gutter will not be paid for directly but is considered *Subsidiary* to the bid item "Sidewalk Concrete Pavement".
- ④ See Intersection Details for Variations.
- * See Plans for Variations.



COMPACTION DIAGRAM
Note: All embankment, including sideroads and driveways shall be compacted.

- ⑤ The top 6" of all areas to be seeded shall be topsoiled with material suitable for growth of vegetation. Thru cuts, over excavate 6" for placement of topsoil. This work shall be *Subsidiary* to other earthwork items. In fill, the top 6" of embankment shall be topsoil. Quantities for this work are included in the contract bid items for earthwork. No measurement or payment will be made for material required to replace material excavated during stripping operations.

Plotted By: akf Date: 12/29/2008 2:29:41PM
 FILE: I:\2005\05493-8\Typicals\05493-008-TypSec.dgn

Revision		By	Date
WASHINGTON STREET			
TYPICAL SECTIONS			
JAMES L. ARMOUR, P.E.—CITY ENGINEER CITY OF WICHITA PROJECT NO. 472-84657			
Professional Engineering Consultants, P.A. 303 S. TOPEKA • WICHITA, KANSAS 67202 316-262-2691 • FAX 316-262-3003			
Designed by	MJW	Job No.	05493-8
Drawn by	MJW	Date	Dec., 2008
			Sht. R3 of R73