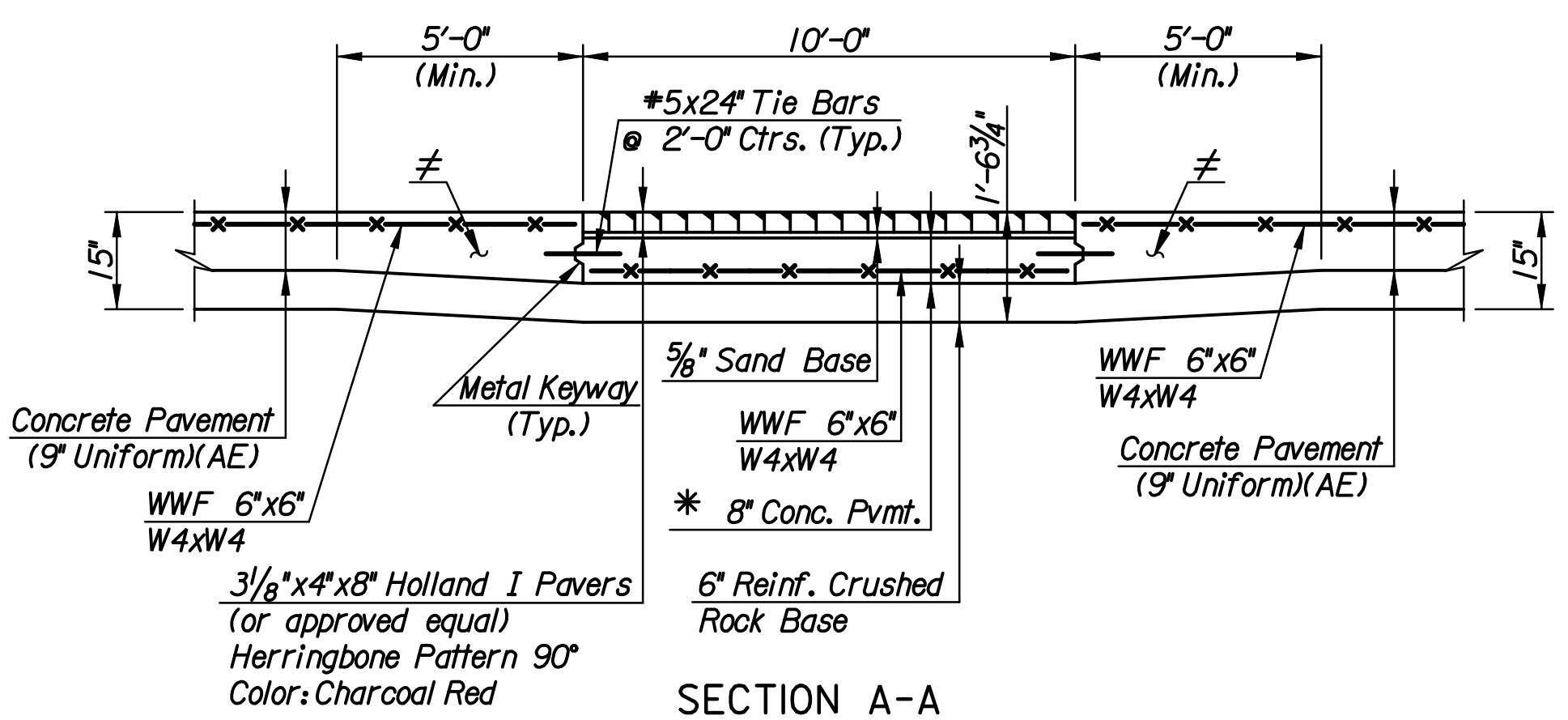


Scale: 1"=10'

LEGEND

- Contraction Joint (C.J.) (Doweled)
  - Longitudinal Joint (L.J.)
  - \* Match Existing
  - Holland I Pavers
  - Omit Dowel or Tie Bars
- See Sh. No. R16 for Joint Details.

- ① Concrete Pavement (9' Uniform)(AE)
- ② Concrete Pavement (9' NRDJ)(AE)

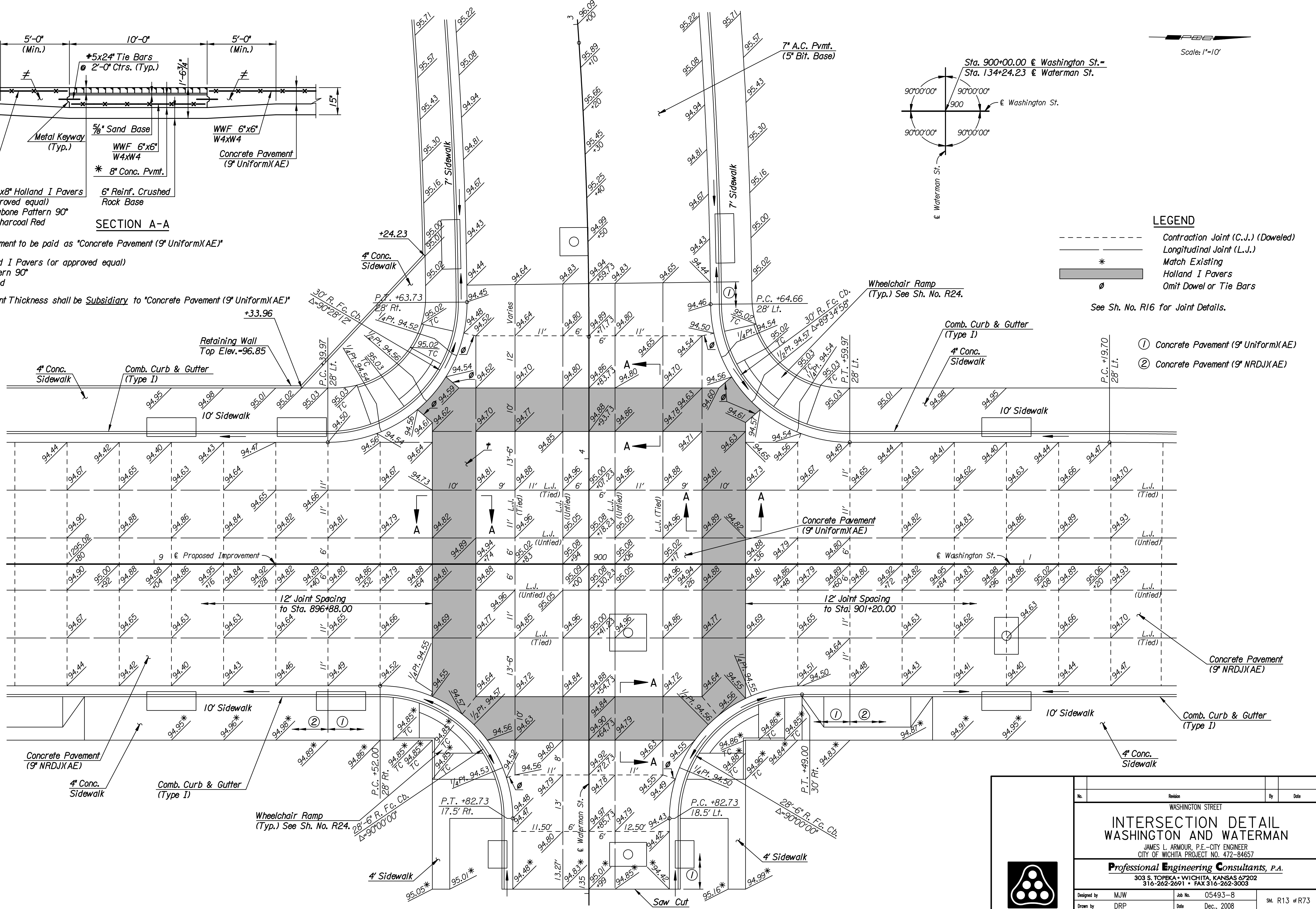


**SECTION A-A**

\* 8" Concrete Pavement to be paid as "Concrete Pavement (9' Uniform)(AE)"

† 3/8"x4"x8" Holland I Pavers (or approved equal) Herringbone Pattern 90° Color: Charcoal Red

≠ Additional Pavement Thickness shall be Subsidiary to "Concrete Pavement (9' Uniform)(AE)"



Plotted By: akf Date: 12/30/2008 7:27:56 AM  
 FILE: I:\2005\05493-8\Intersection\05493-008-Int-dt-Washington.dgn

No.	Revision	By	Date
WASHINGTON STREET			
<b>INTERSECTION DETAIL</b>			
<b>WASHINGTON AND WATERMAN</b>			
JAMES L. ARMOUR, P.E. - CITY ENGINEER CITY OF WICHITA PROJECT NO. 472-84657			
<b>Professional Engineering Consultants, P.A.</b>			
303 S. TOPEKA • WICHITA, KANSAS 67202 316-262-2691 • FAX 316-262-3003			
Designed by	MJW	Job No.	05493-8
Drawn by	DRP	Date	Dec., 2008
			Sht. R13 of R73