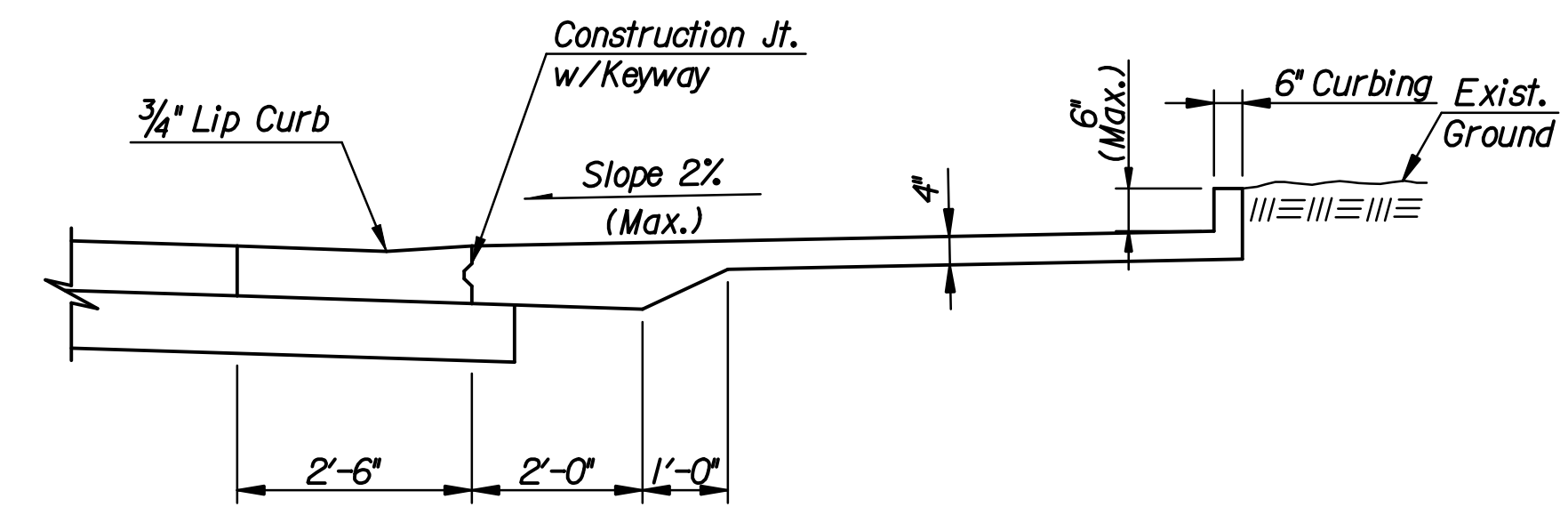
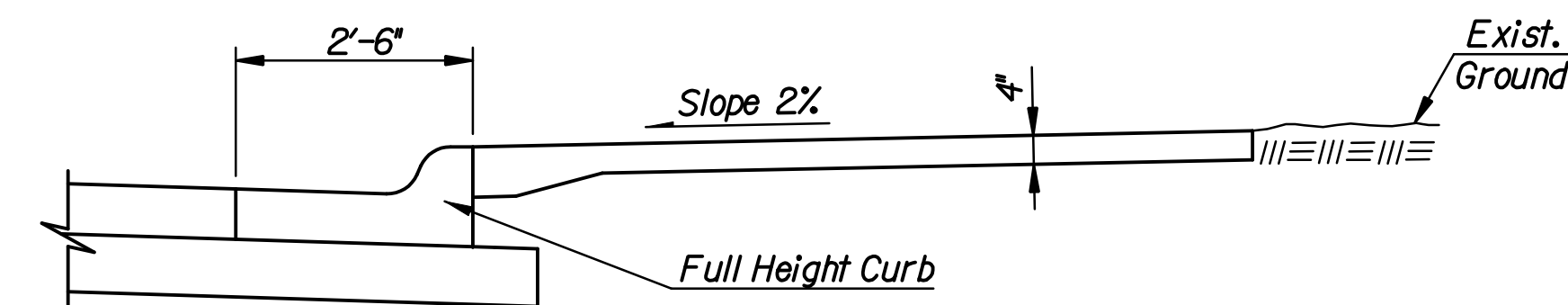


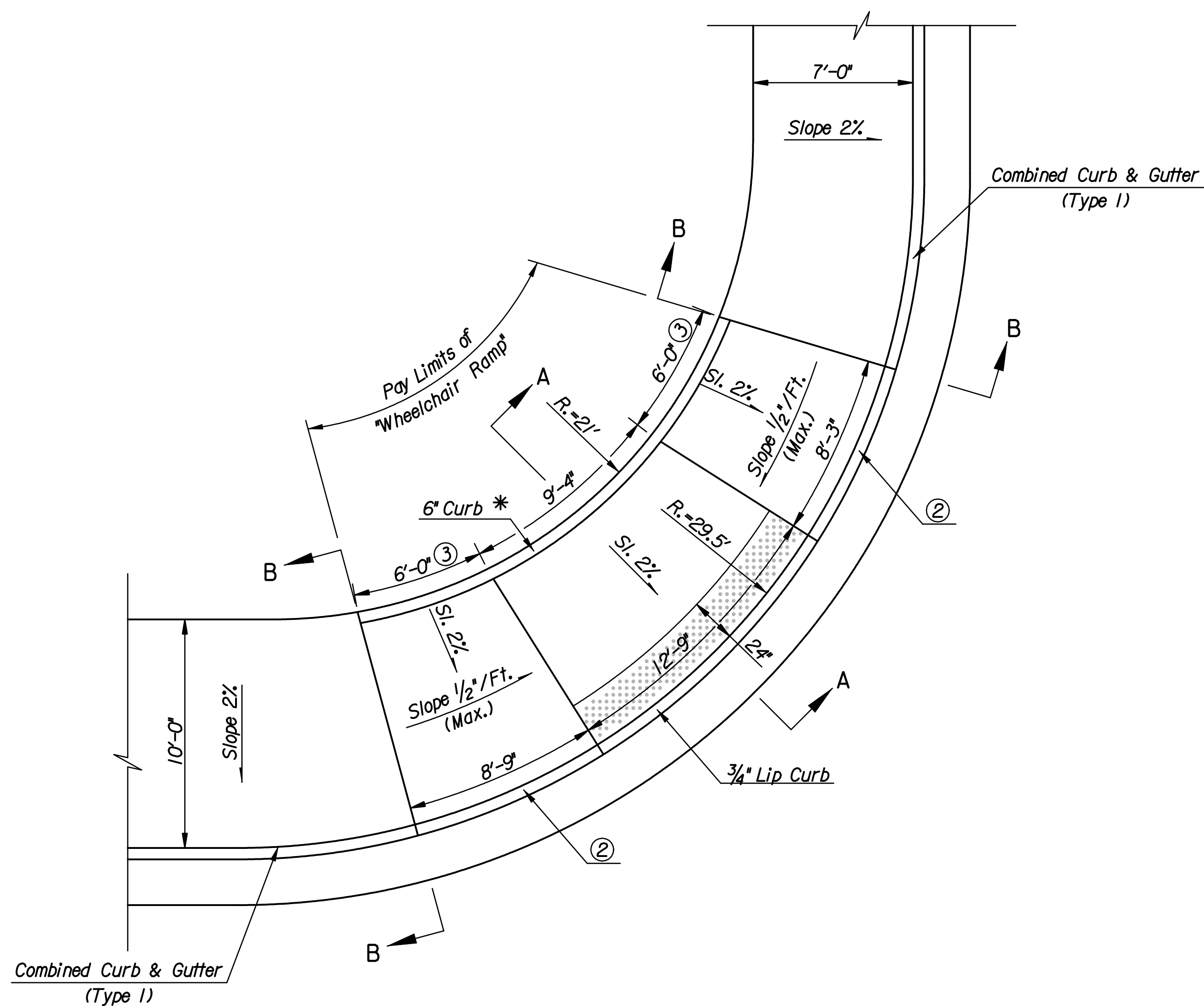
DOME DETAIL



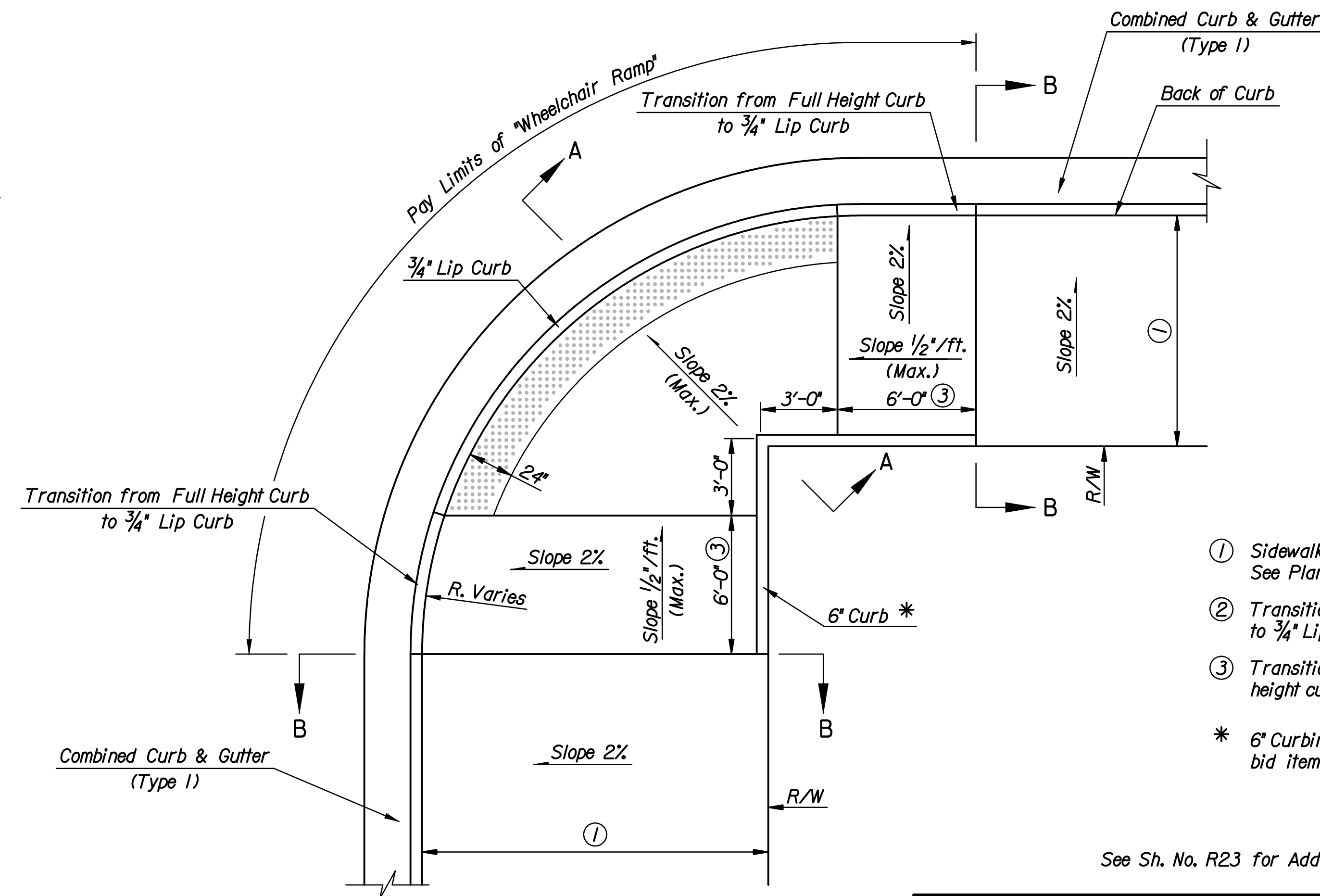
SECTION A-A



SECTION B-B



TYPICAL WHEELCHAIR RAMP  
Washington & Waterman (Northwest and Southwest corners)



TYPICAL WHEELCHAIR RAMP  
Washington & Waterman (Northeast and Southeast corners)

- ① Sidewalk Width Varies. See Plan Sheets for Variations.
  - ② Transition from Full Height Curb to 3/4" Lip Curb.
  - ③ Transition 6" curbing from 0'-0" height curb to 0'-6" height curb.
- \* 6" Curbing shall be Subsidiary to the bid item "Wheelchair Ramp".

See Sh. No. R23 for Additional Notes & Details.

Plotted By: akf Date: 12/29/2008 3:02:22 PM  
FILE: I:\2005\05493-8\Details\05493-008-WCR-amp.dgn

No.	Revision	By	Date
WASHINGTON STREET			
<b>WHEELCHAIR RAMP DETAILS</b>			
JAMES L. ARMOUR, P.E.—CITY ENGINEER CITY OF WICHITA PROJECT NO. 472-34657			
<b>Professional Engineering Consultants, P.A.</b> 303 S. TOPEKA • WICHITA, KANSAS 67202 316-262-2691 • FAX 316-262-3003			
Designed by	MJW	Job No.	05493-8
Drawn by	MJW	Date	Dec., 2008
			Sht. R24 of R73

