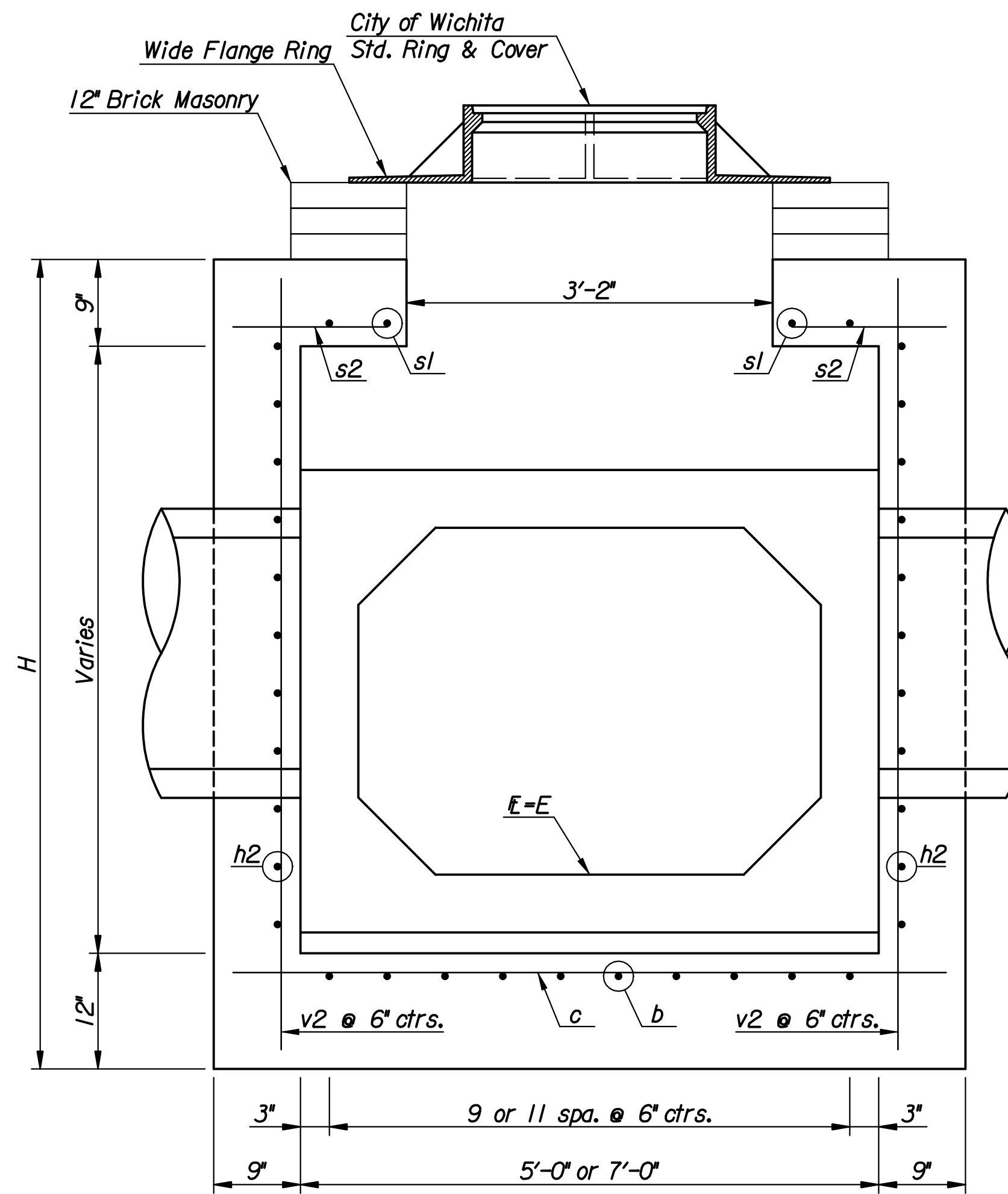
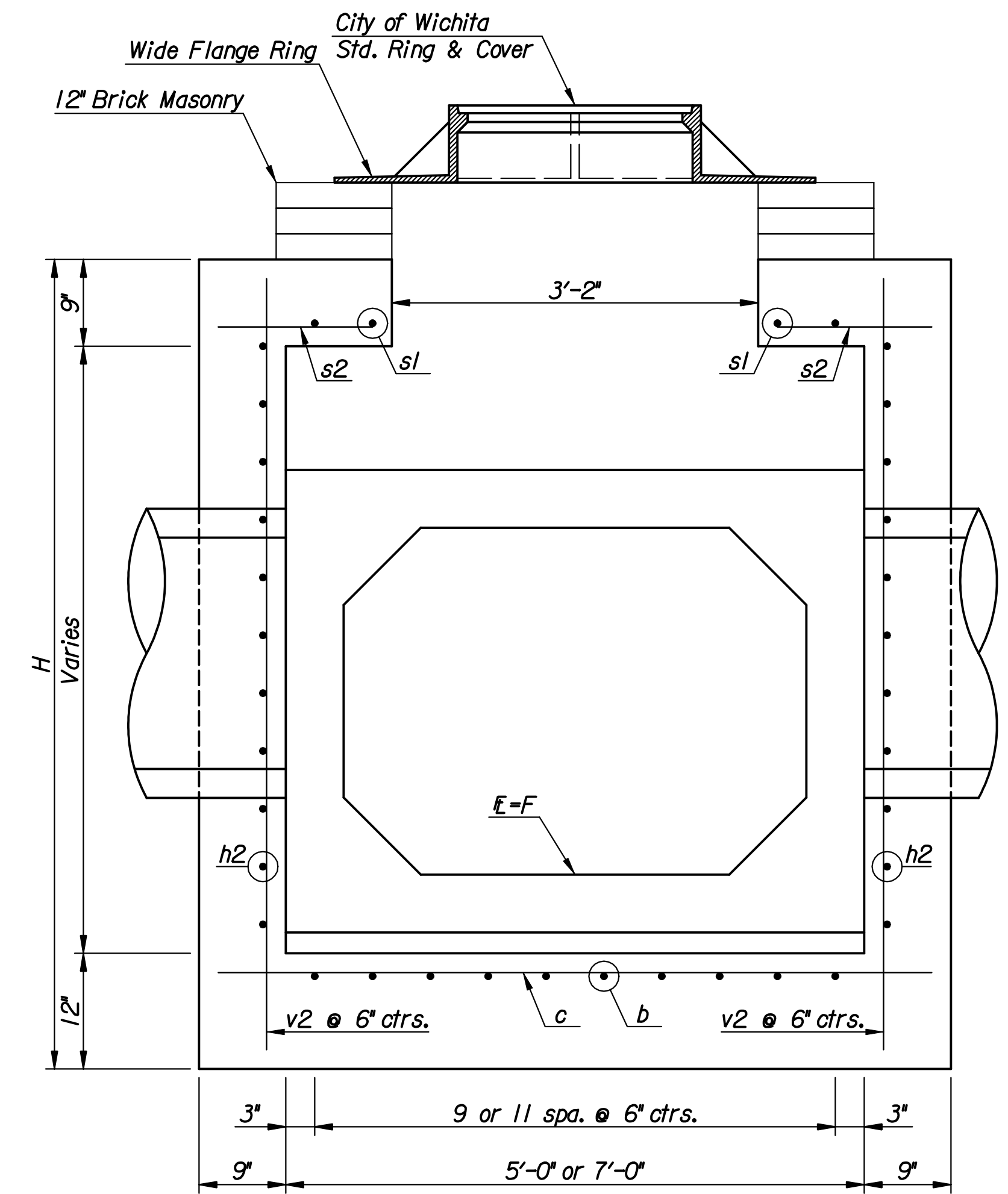


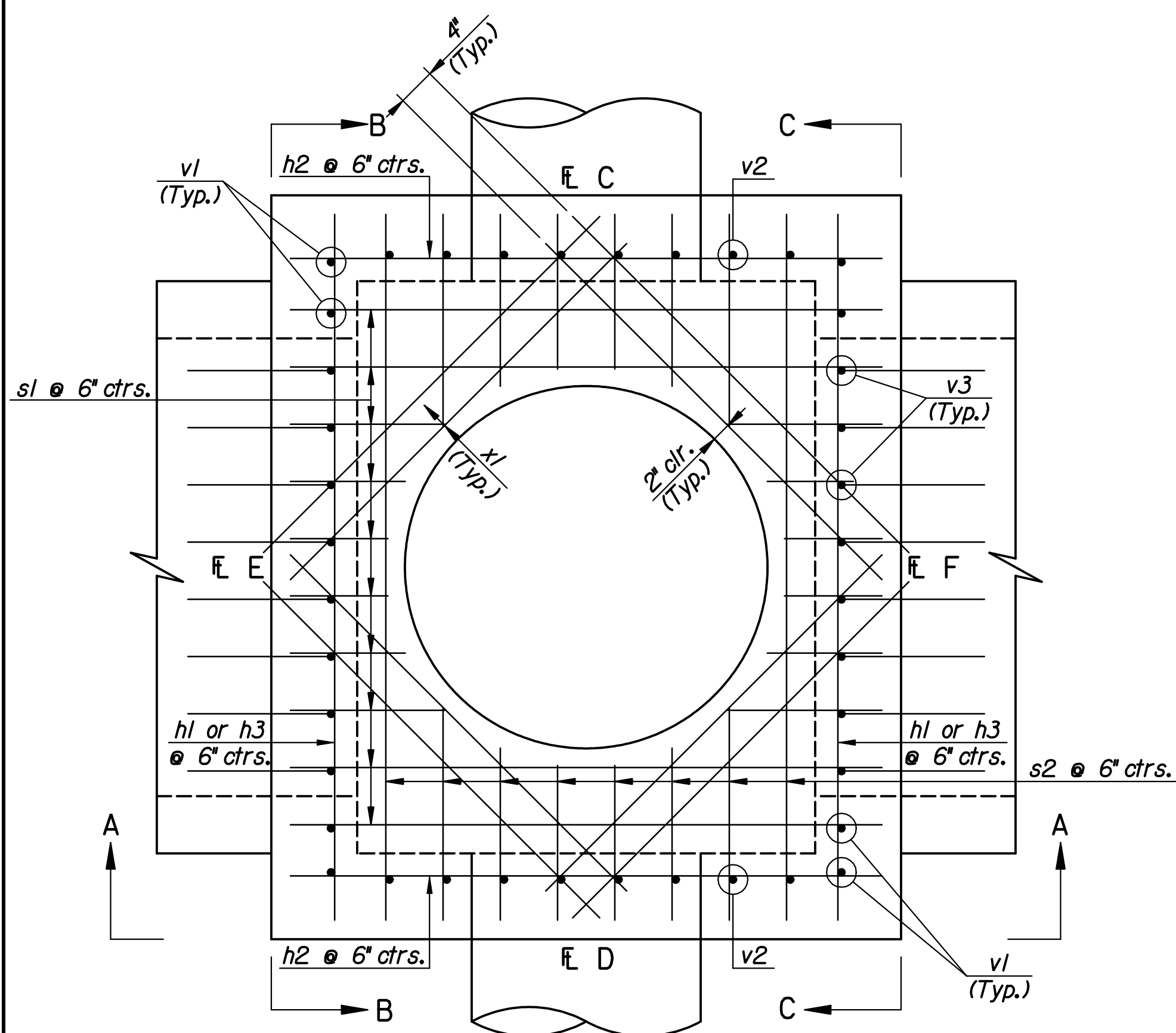
SECTION A-A



SECTION B-B



SECTION C-C



PLAN See Sh. No. R28 for additional information. Floor reinforcing not shown for clarity.

BILL OF REINFORCING STEEL FOR SWS200
Grade 60

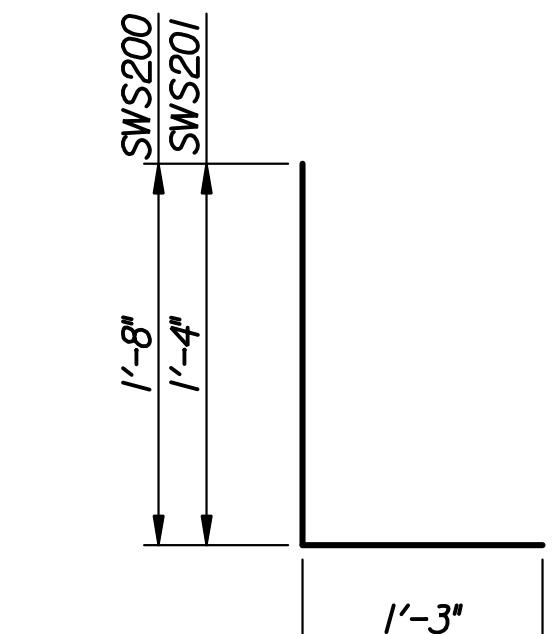
Straight Bars				Bent Bars			
Mark	Size	Number	Length	Mark	Size	Number	Length
b	5	12	8'-2"	v3	4	8	2'-11" †*
c	5	12	8'-2"				
v1	4	18	6'-8"				
v2	4	24	6'-8"				
h1	4	12	8'-2"				
h2	4	22	8'-2"				
h3	4	14	11"				
h4	6	3	8'-2"				
s1	5	12	8'-2"				
s2	5	12	8'-2"				
x1	5	8	4'-2"				

* See Bending Diagram
Note: Provide 2" end and edge clearance (Typ.)

BILL OF REINFORCING STEEL FOR SWS201
Grade 60

Straight Bars				Bent Bars			
Mark	Size	Number	Length	Mark	Size	Number	Length
b	5	10	6'-2"	v3	4	16	2'-7" †*
c	5	10	6'-2"				
v1	4	8	6'-8"				
v2	4	20	6'-8"				
h1	4	2	6'-2"				
h2	4	22	6'-2"				
h3	4	28	11"				
h4	6	6	6'-2"				
s1	5	10	6'-2"				
s2	5	10	6'-2"				
x1	5	8	4'-2"				

* See Bending Diagram
Note: Provide 2" end and edge clearance (Typ.)



v3 † Doweled into 4'x3' RCB
BENDING DIAGRAM

MANHOLE DATA

Number	Sta.	Size	Elev. A	Elev. B	E C	E D	E E	E F	E G	H
SWS200	134+40	8.5'x8.5'	1,294.94	1,293.69	1,288.72 (Exist. 16.6")	1,288.72 (Exist. 16.6")	1,288.72 (Exist. 54")	1,288.72 (4'x3')	1,287.69	7.0'
SWS201	133+50	6.5'x6.5'	1,294.93	1,293.68	1,290.50 (18")	1,290.50 (18")	1,289.00 (4'x3')	1,289.00 (4'x3')	1,287.68	7.0'

Plotted By: akf Date: 12/29/2008 3:10:44 PM
FILE: I:\2005\05493-8\Details\05493-008-MH200-201d1.dgn

No.	Revision	By	Date
WASHINGTON STREET			
REINF. CONC. MANHOLES			
MANHOLES - SWS200 AND SWS201			
JAMES L. ARMOUR, P.E. - CITY ENGINEER CITY OF WICHITA PROJECT NO. 472-84657			
Professional Engineering Consultants, P.A. 303 S. TOPEKA • WICHITA, KANSAS 67202 316-262-2691 • FAX 316-262-3003			
Designed by	RAS	Job No.	05493-8
Drawn by	DRP	Date	Dec., 2008
			Sht. R30 of R73