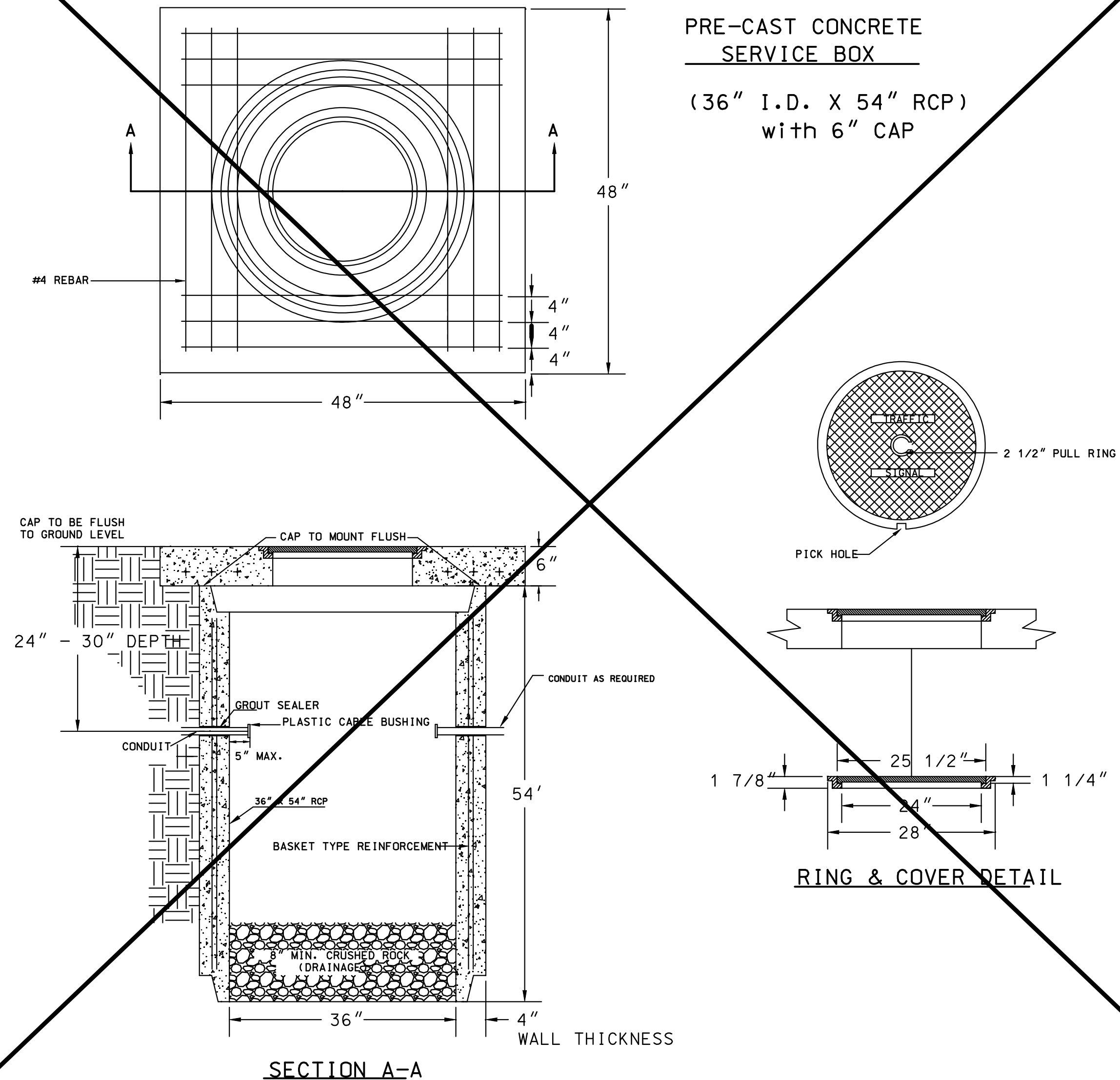
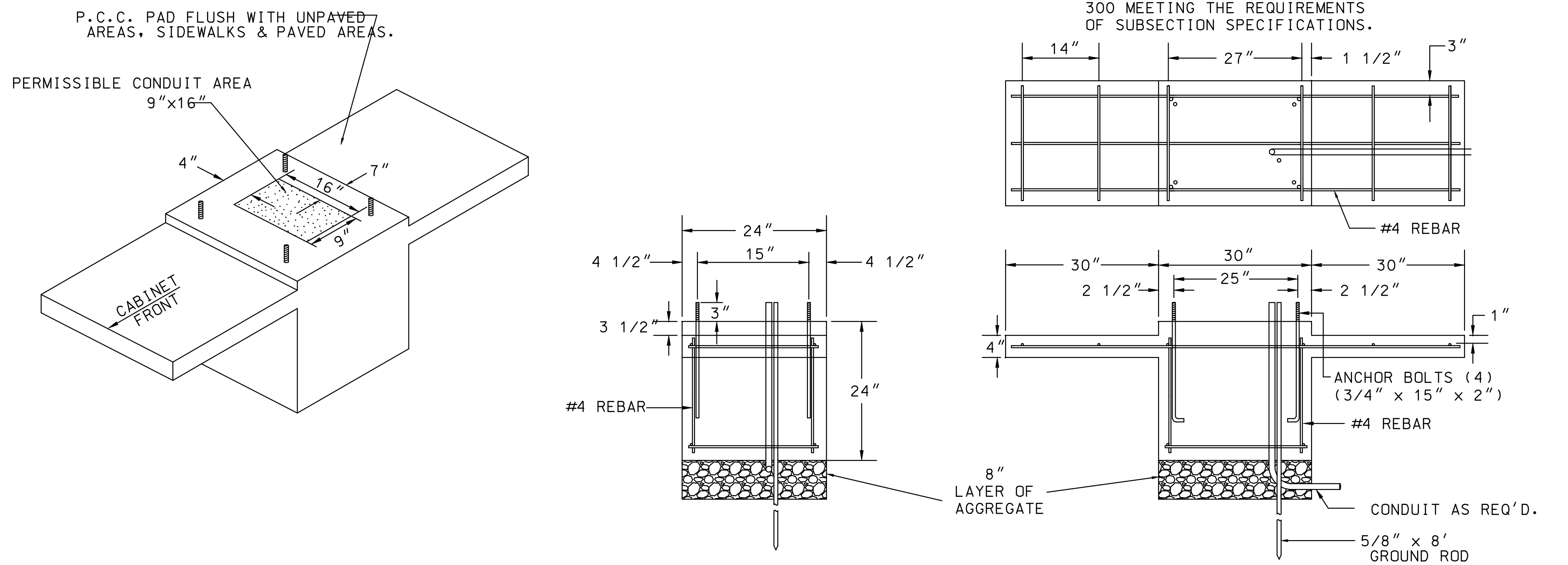


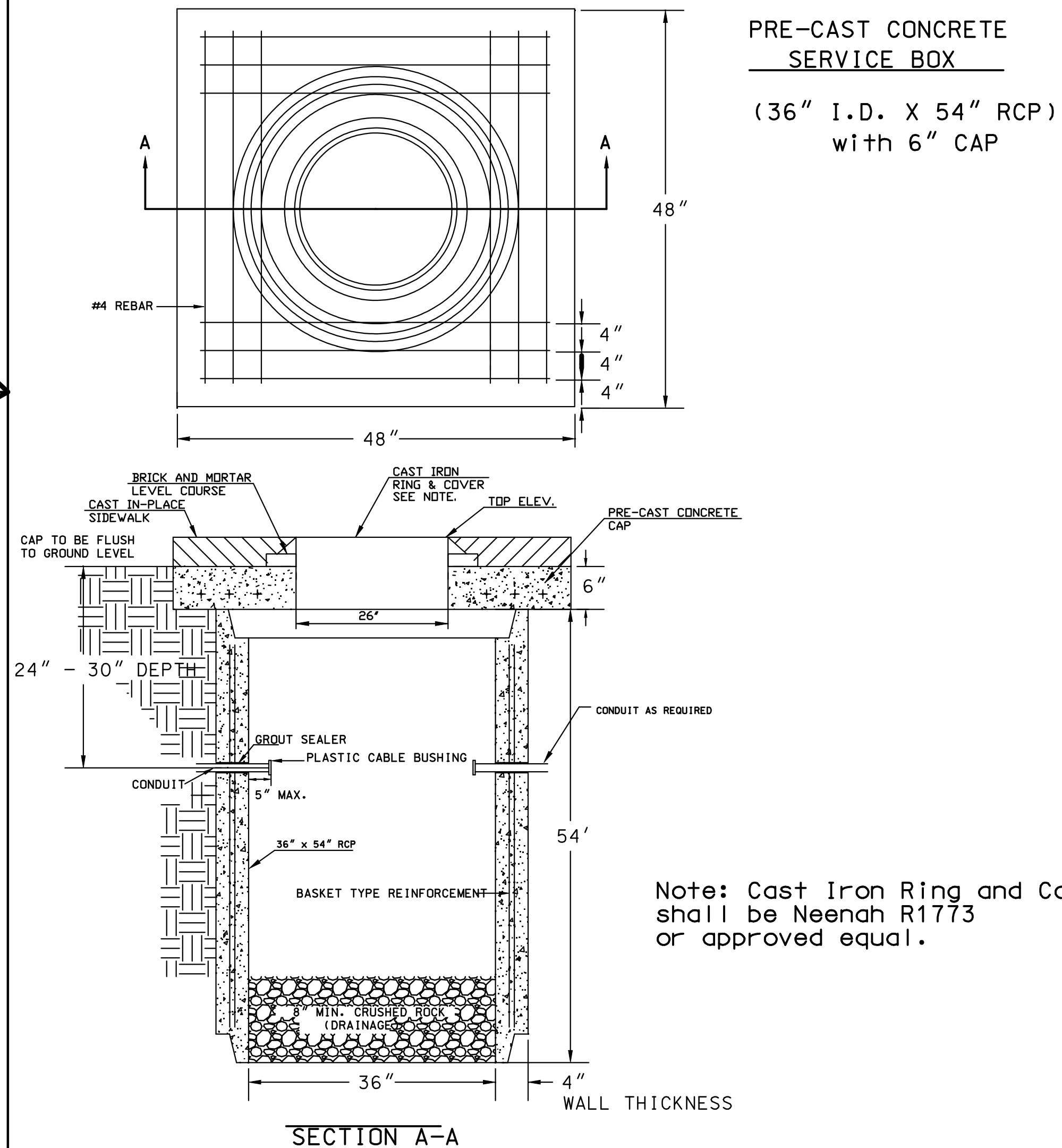
# SERVICE BOX CONSTRUCTION/INSTALLATION DETAILS



# 170 CONTROLLER PAD DETAILS



# SPECIAL SERVICE BOX SERVICE BOX CONSTRUCTION/INSTALLATION DETAILS

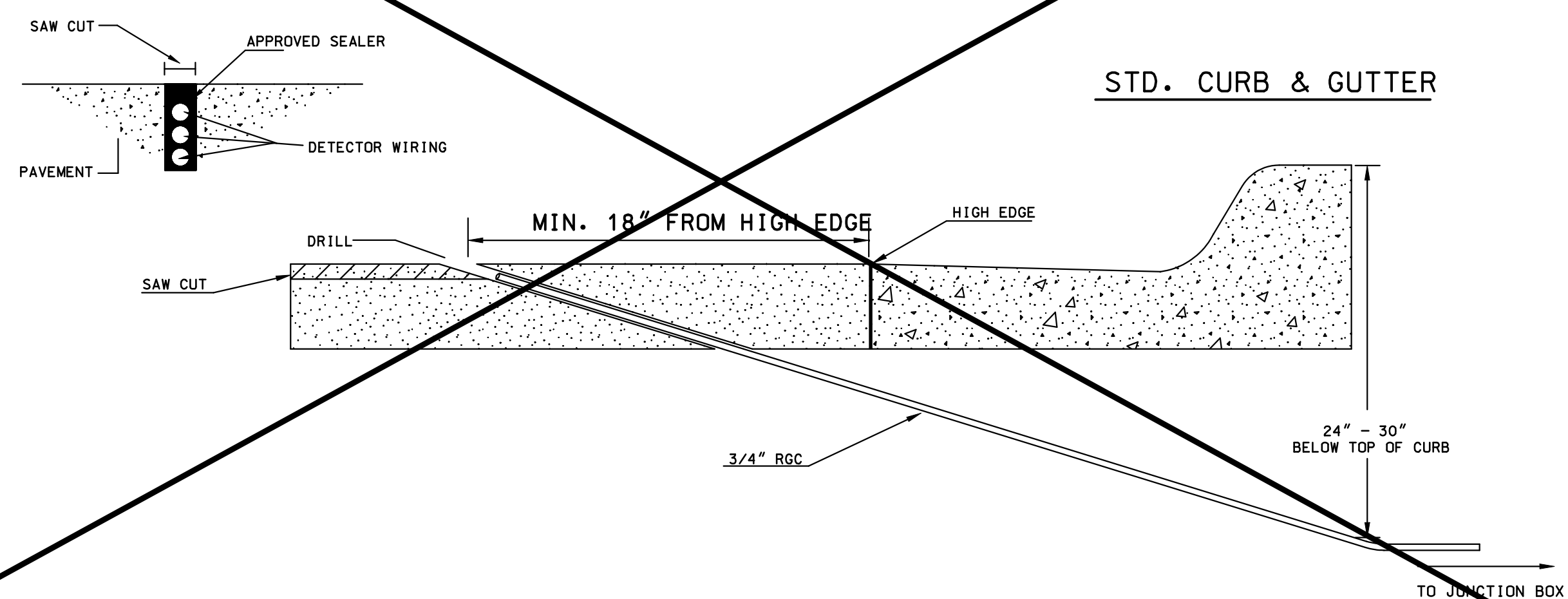


## NOTES:

- SERVICE BOX:**
1. CONDUIT CONNECTION TO BE FLUSH TO WITHIN 5" OF INSIDE FACE OF SIDE WALL. CONDUIT TO DRAIN INTO SERVICE BOX.
  2. CONDUIT CONNECTIONS TO SERVICE BOX SHALL BE TERMINATED WITH PLASTIC CABLE BUSHING.
  3. CONDUIT SHALL BE SEALED WITH APPROVED SEALER AT INSIDE WALL FACE.
  4. ALL SERVICE & JUNCTION BOXES TO HAVE 8" OF CRUSHED ROCK.
- TRENCHING:**
1. DEPTH TO BE 30" MINIMUM WITH ROCK & STUBBLE FREE BACKFILL TO SERVE AS BEDDING MATERIAL. MAINTAIN MINIMUM CONDUIT DEPTH IN TRENCH.
  2. BACKFILL TO BE COMPACTED IN 6" LOOSE LIFTS BY HAND OR MECHANICAL TAMPING TO A 95% STANDARD DENSITY.
- CONDUIT:**
1. SLOPE CONDUIT TO DRAIN AS DIRECTED BY THE ENGINEER.
  2. 3" RIGID STEEL CONDUIT BTWN. SERVICE BOXES AND AS SHOWN ON PLANS.

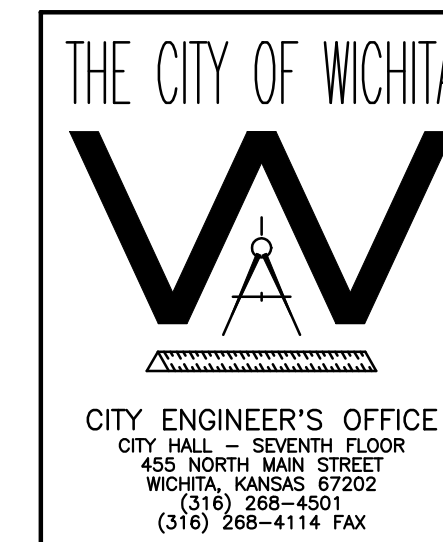
## SERVICE/JUNCTION BOX, CONTROLLER PAD CONSTRUCTION/INSTALLATION DETAILS

# CONDUIT/DETECTOR WIRE INSTALLATION DETAILS



Note: Cast Iron Ring and Cover shall be Neenah R1773 or approved equal.

Dwn: JPS Oper: DRP Scale: 1"=1' Plot Scale  
 i:/2005/05493-008/Standards/05493-008-sdtd.dgn Last Rev: 2-22-2007 By: DRP



## SERVICE/JUNCTION BOX, CONTROLLER PAD CONSTRUCTION/INSTALLATION DETAILS

Washington Street		
PROJECT NUMBER 472-84657		
DRAWN BY: T.M.	SCALE NO SCALE	REVISED BY:
DATE: April, 2002		DATE:
CITY OF WICHITA DEPARTMENT OF PUBLIC WORKS		
DIVISION OF TRAFFIC ENGINEERING		
PAUL D. GUNZELMAN, P.E.	TRAFFIC ENGINEER	SHEET R46 OF R73