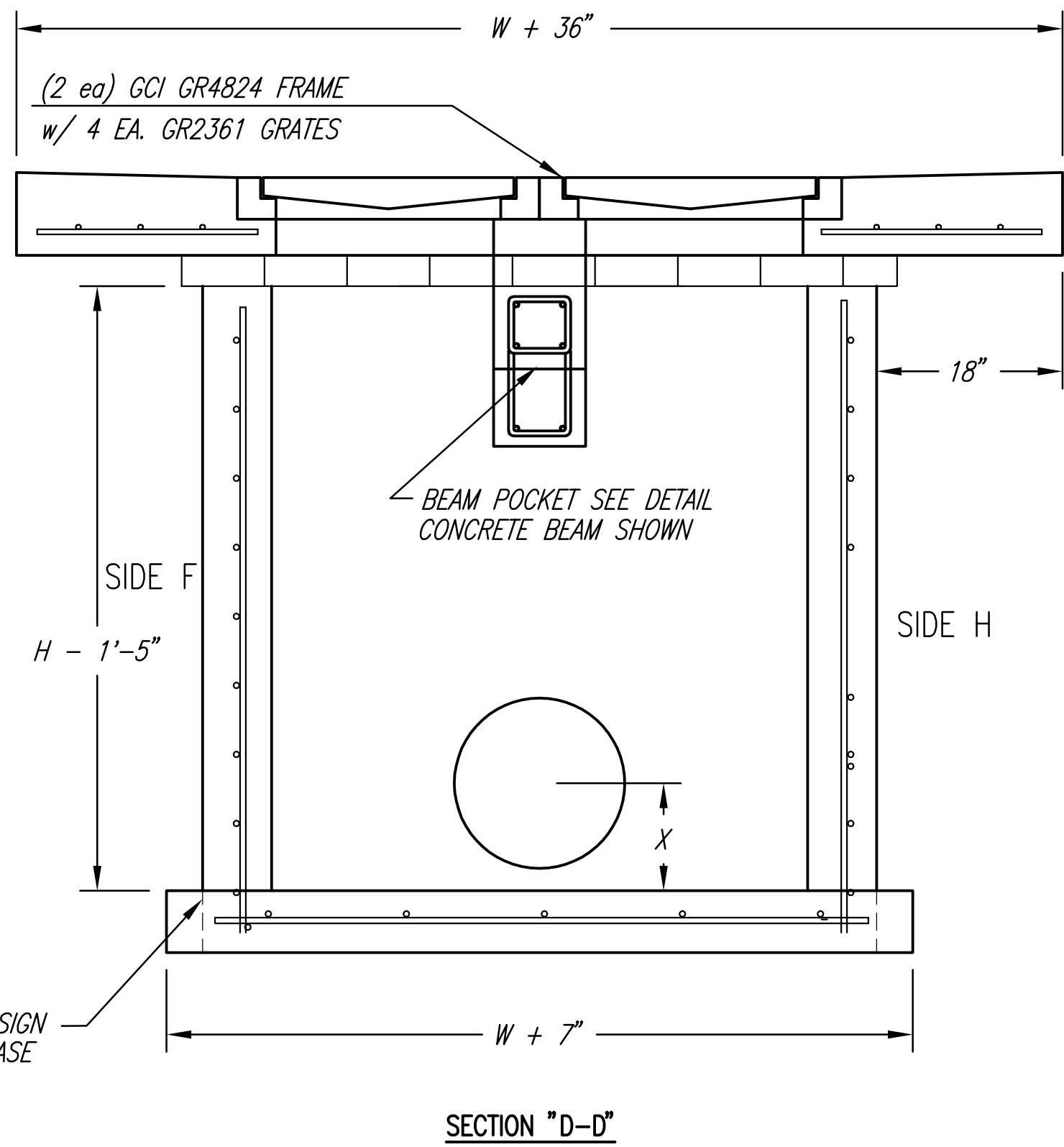
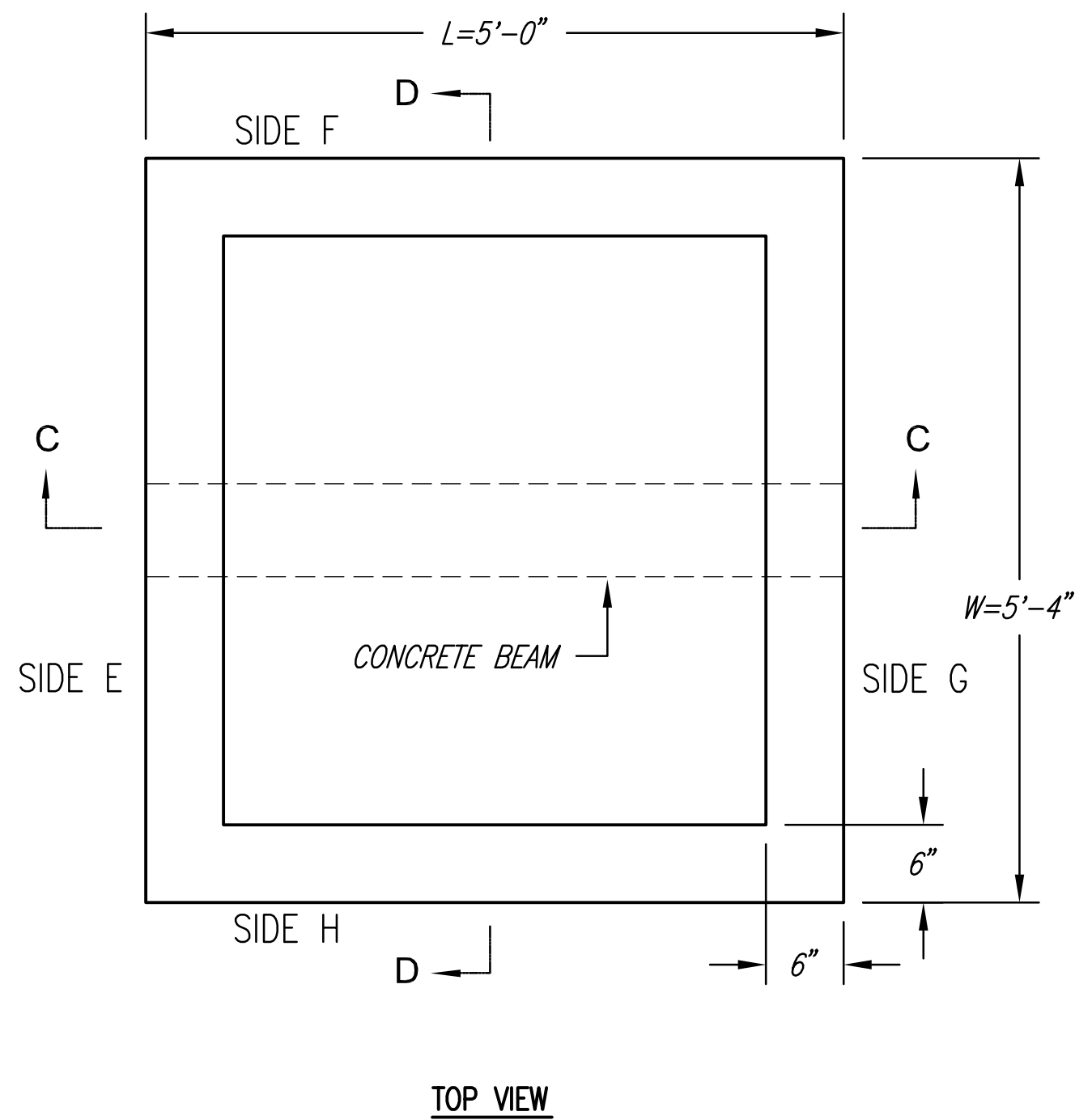


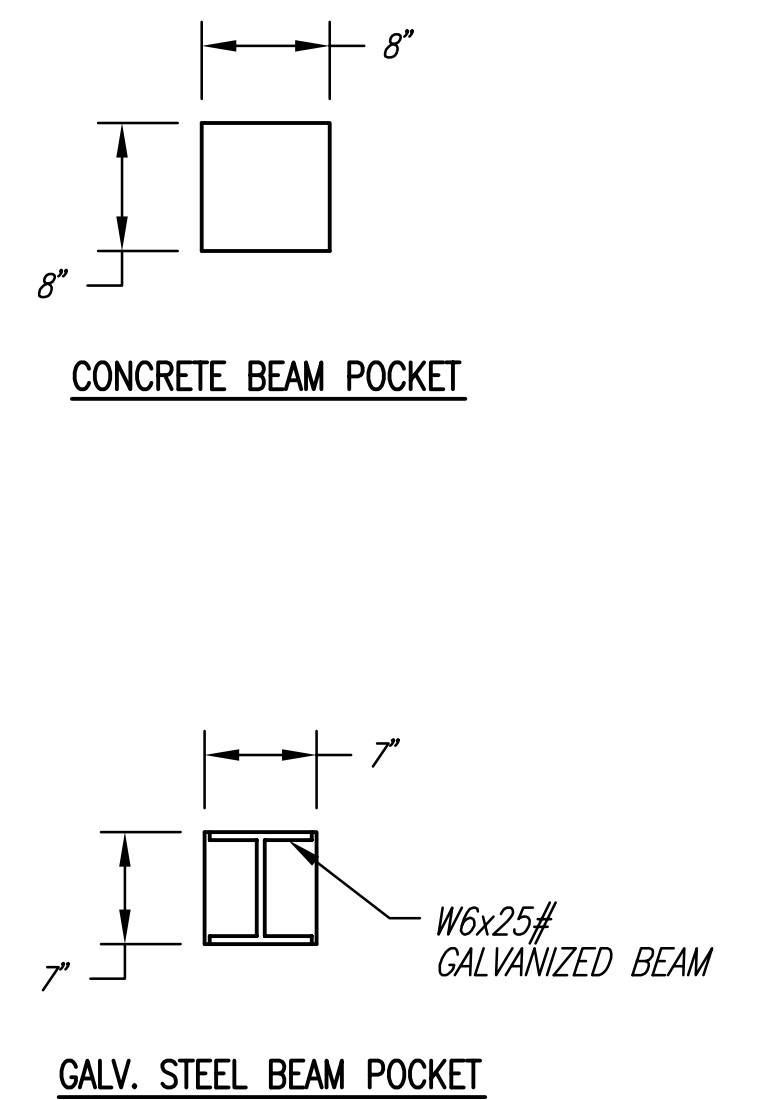
SECTION "C-C"



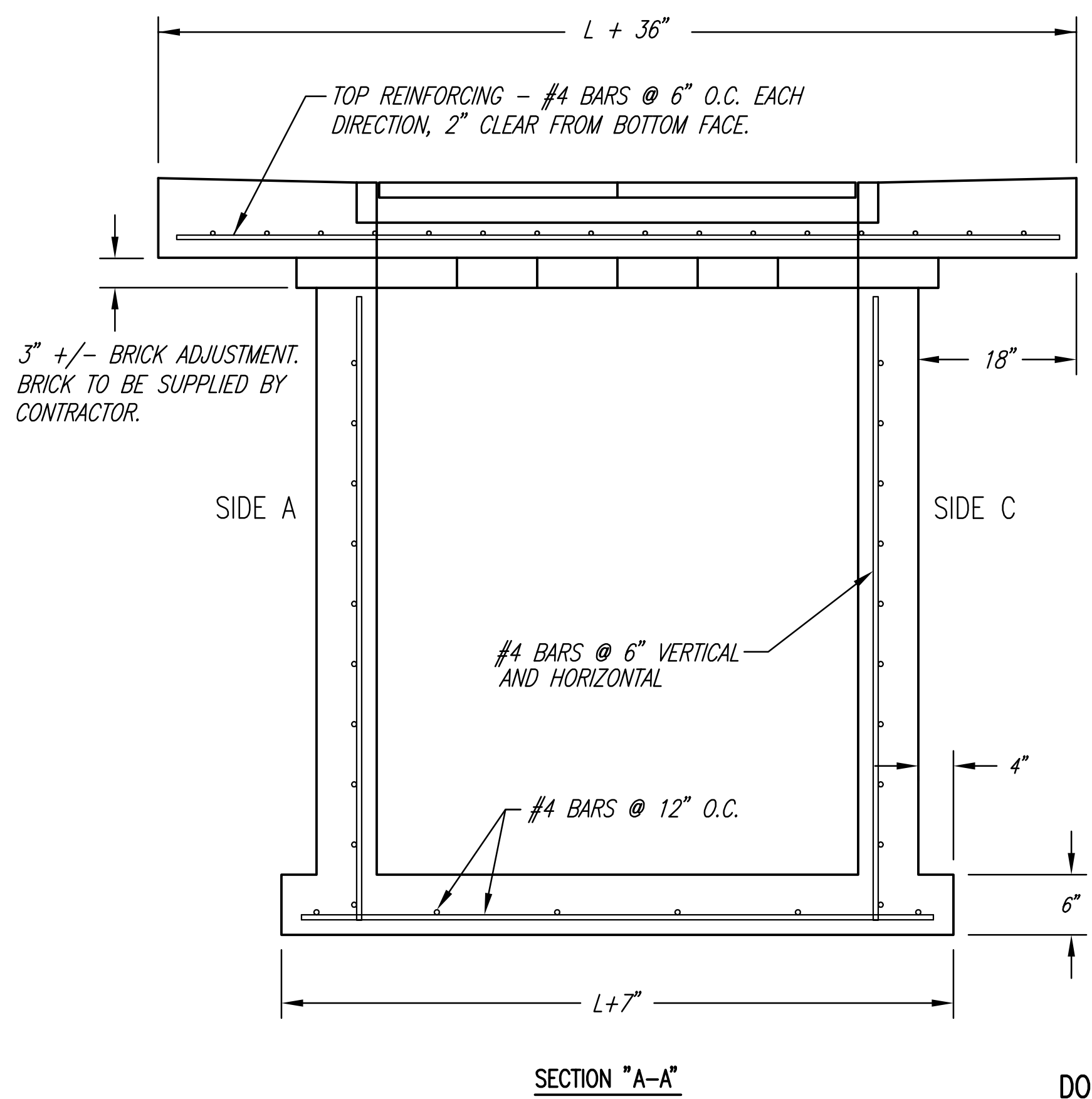
SECTION "D-D"



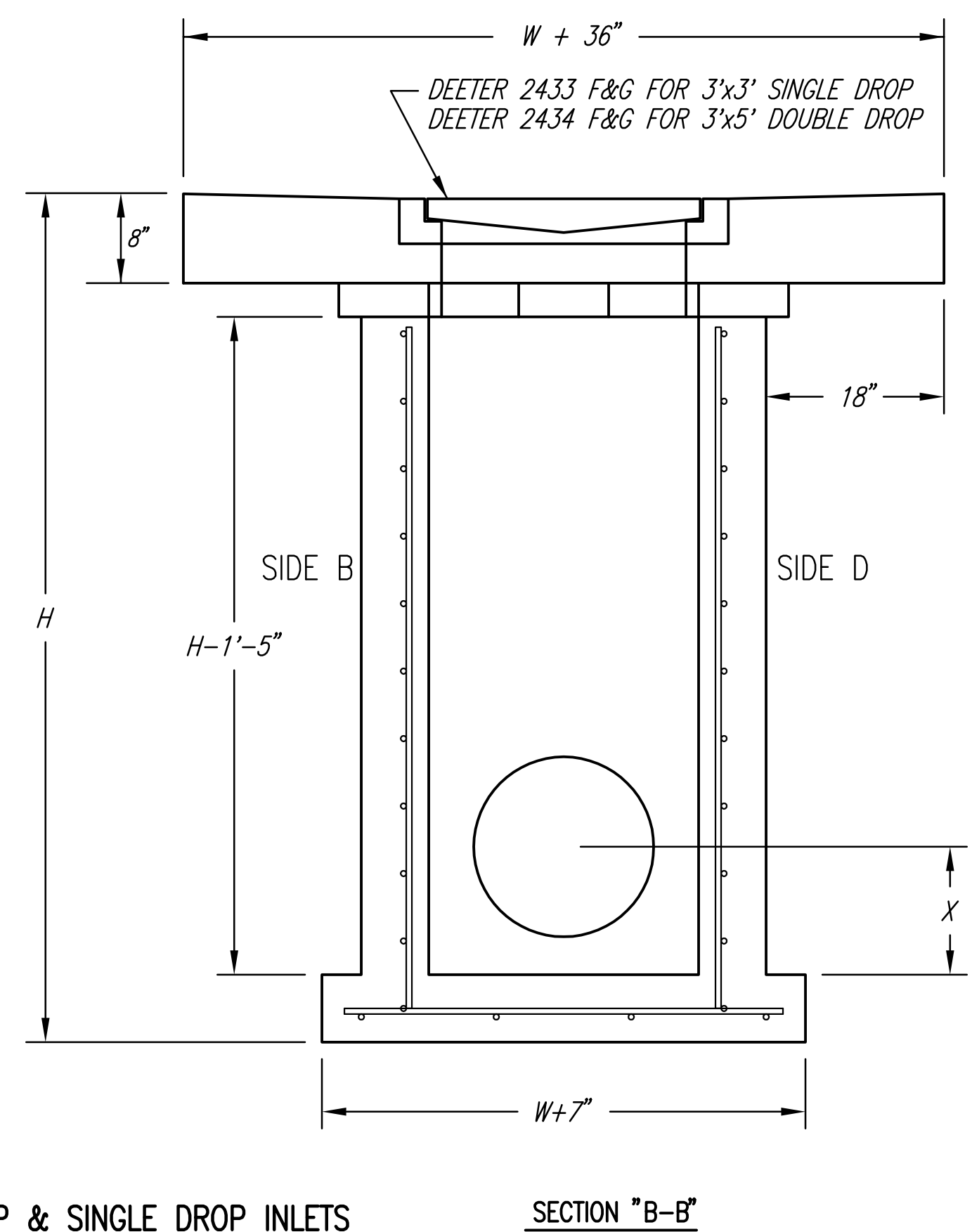
TOP VIEW



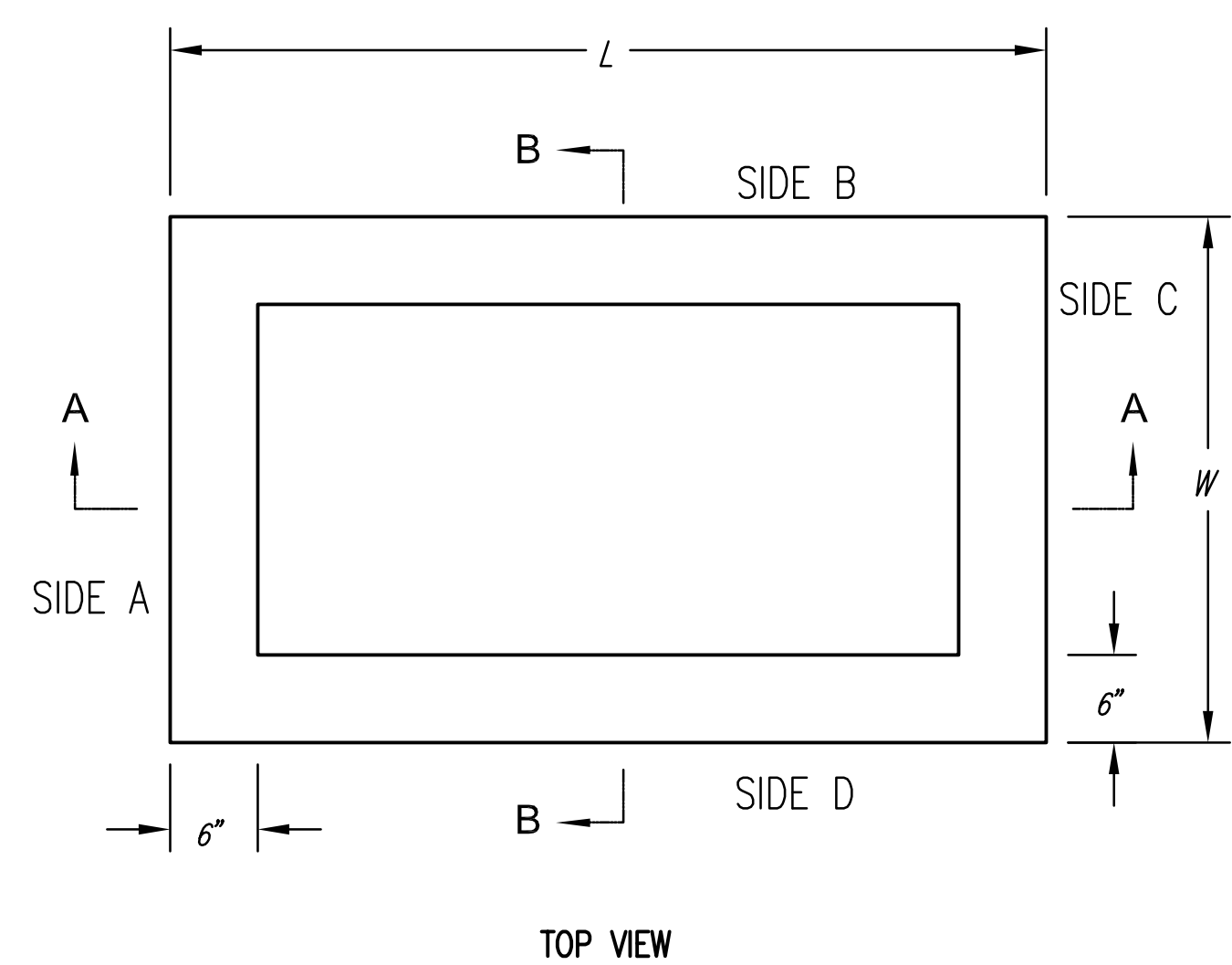
**DBL. DOUBLE DROP INLET WITH BEAM**  
**CONCRETE/STEEL BEAM (W6x25# GALVANIZED STEEL)**  
**REQUIRED FOR THIS INLET**



SECTION "A-A"



SECTION "B-B"

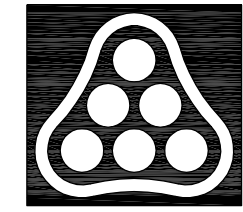


TOP VIEW

\* FOR 3' X 3' AREA INLETS (2' X 2' GRATE). SUBMIT A PEDESTRIAN RATED GRATE FOR APPROVAL, WHEN INDICATED ON THE PLANS. PEDESTRIAN RATED GRATE SHALL BE CAST IRON W/MAX. 1/4" GAP OPENINGS.

**DOUBLE DROP & SINGLE DROP INLETS**  
**SINGLE DROP = 3' x 3' OUTSIDE**  
**DOUBLE DROP = 3' x 5' OUTSIDE**

**WICHITA CONCRETE PIPE COMPANY**  
 221 W. 37th St. North, Wichita, KS. 67204 (316)-838-8651



No.	Revision	By	Date
ANIMAL SERVICES CAMPUS KANSAS HUMANE SOCIETY <b>AREA INLET DETAILS</b> JAMES L. ARMOUR, P.E. - CITY ENGINEER CITY OF WICHITA PRIVATE PROJECT NO. 1837 PPS (607861) <b>Professional Engineering Consultants, P.A.</b> 303 S. TOPEKA • WICHITA, KANSAS 67202 316-262-2691 • FAX 316-262-3003			
Designed by	DWH	Job No.	35-05028-004
Drawn by	SAW	Date	November 2007
			CV2.11

Saved: 01-17-2008 11:28:26 AM by AEE  
 Plot Scale: 1:1 01-22-2008 10:25:51 AM  
 C:\2005\05028\004\05028-004-CV2-11-AreaInlet