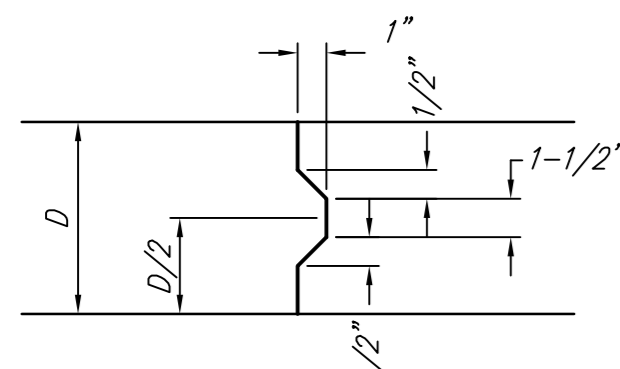
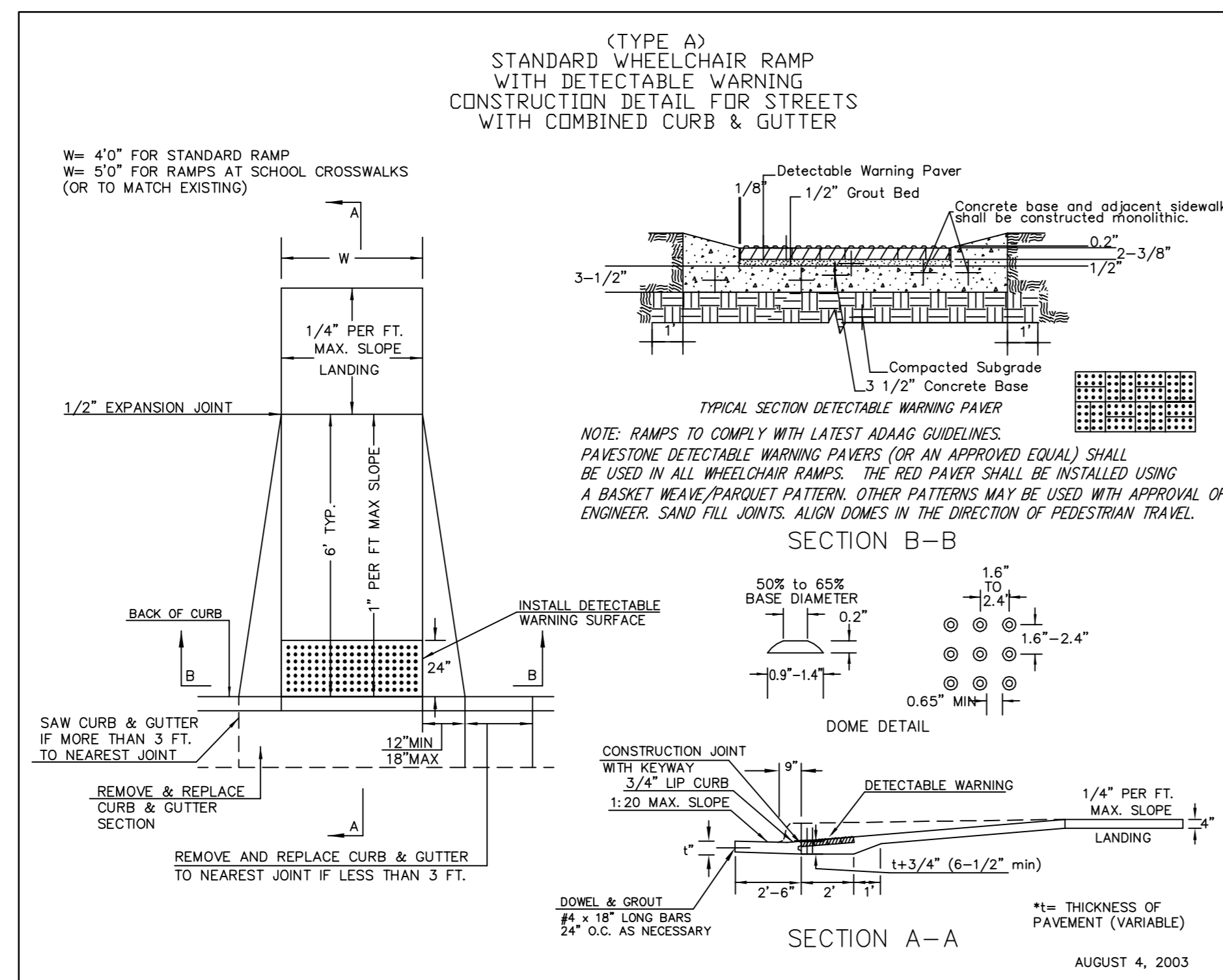


EXPANSION JOINT

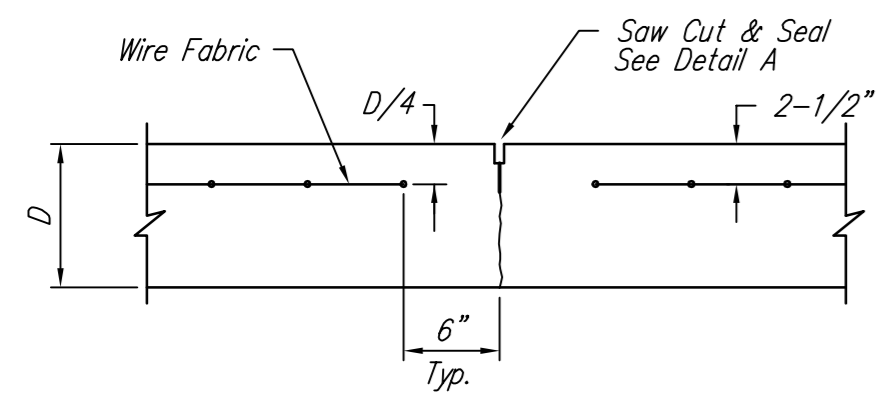
NOTE: Extra Thickness to be Subsidiary to Price of Square Yards Pavement



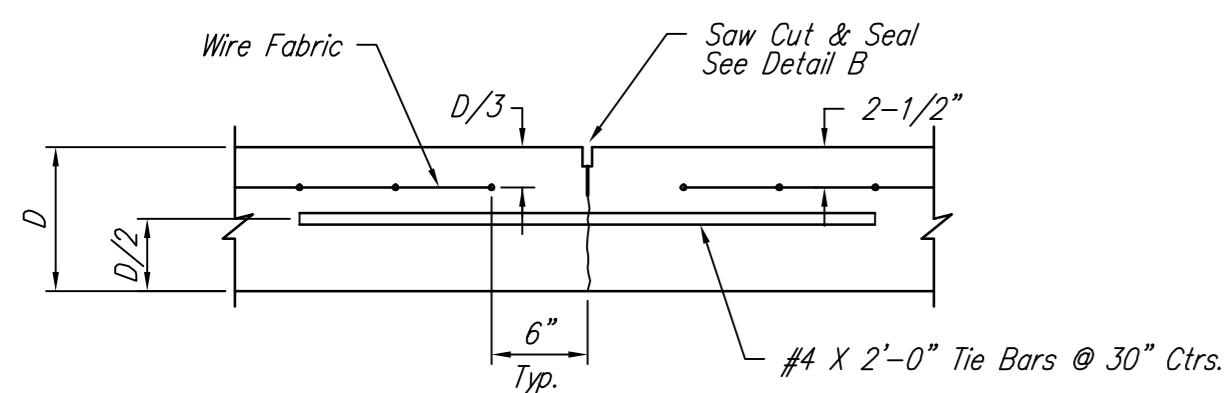
KEYWAY DETAIL



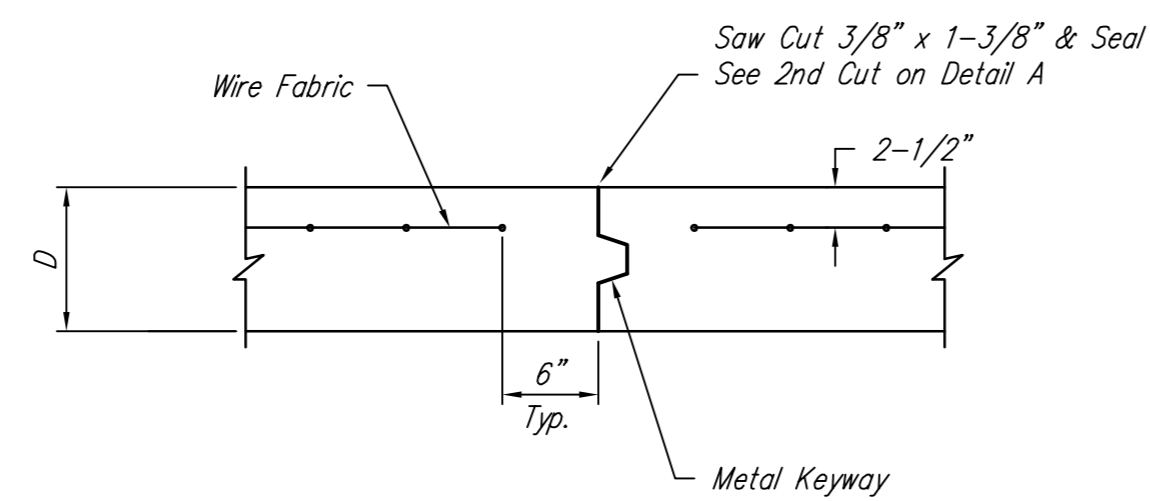
WHEELCHAIR RAMP DETAIL



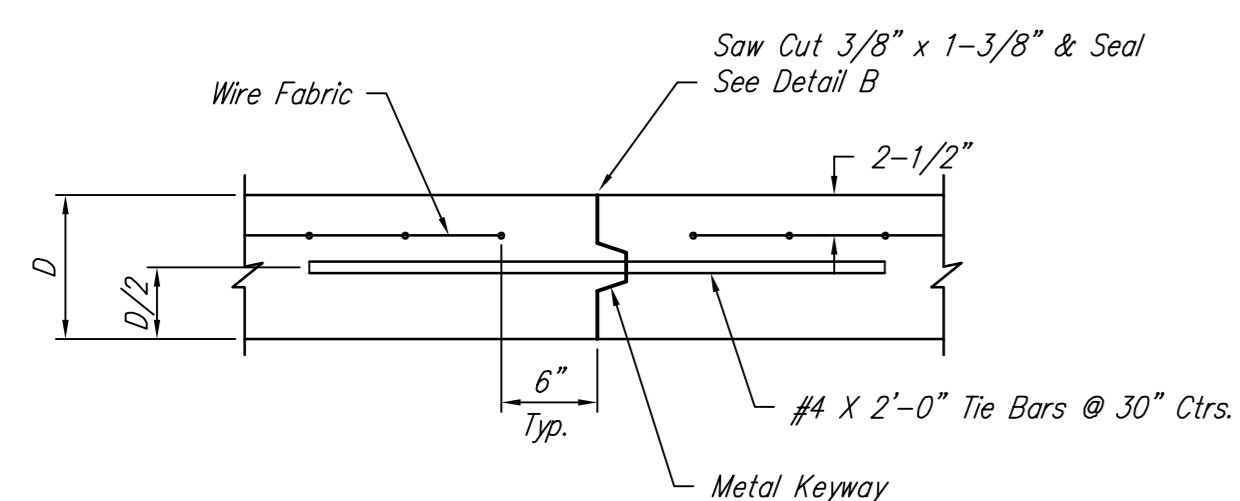
CONTRACTION JOINT DETAIL (C.J.)



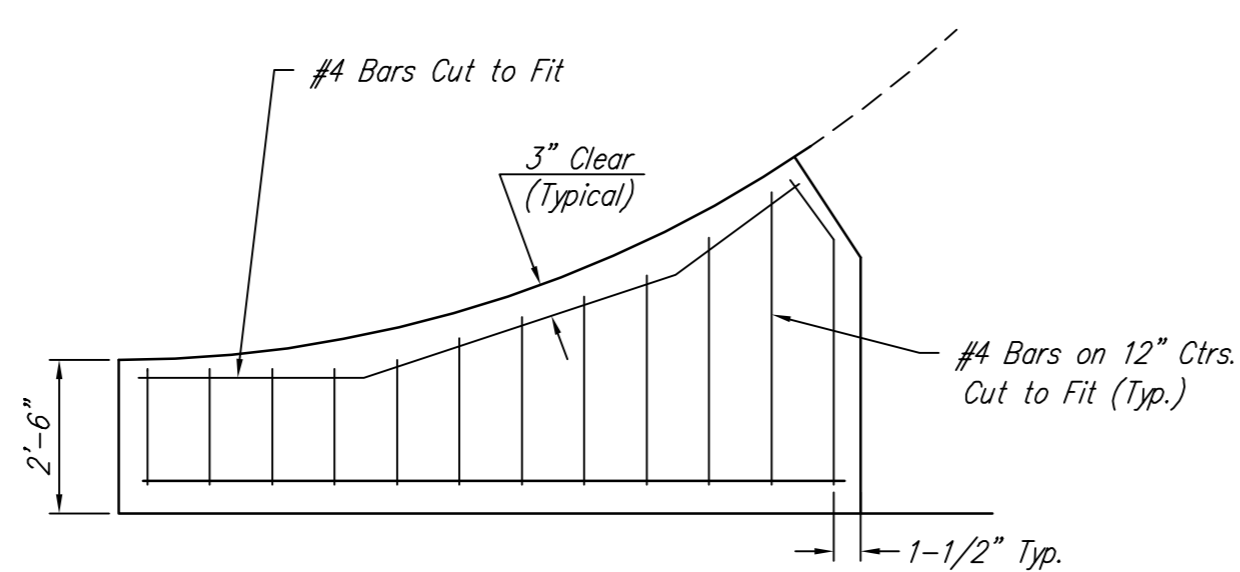
LONGITUDINAL JOINT DETAIL (L.J.)



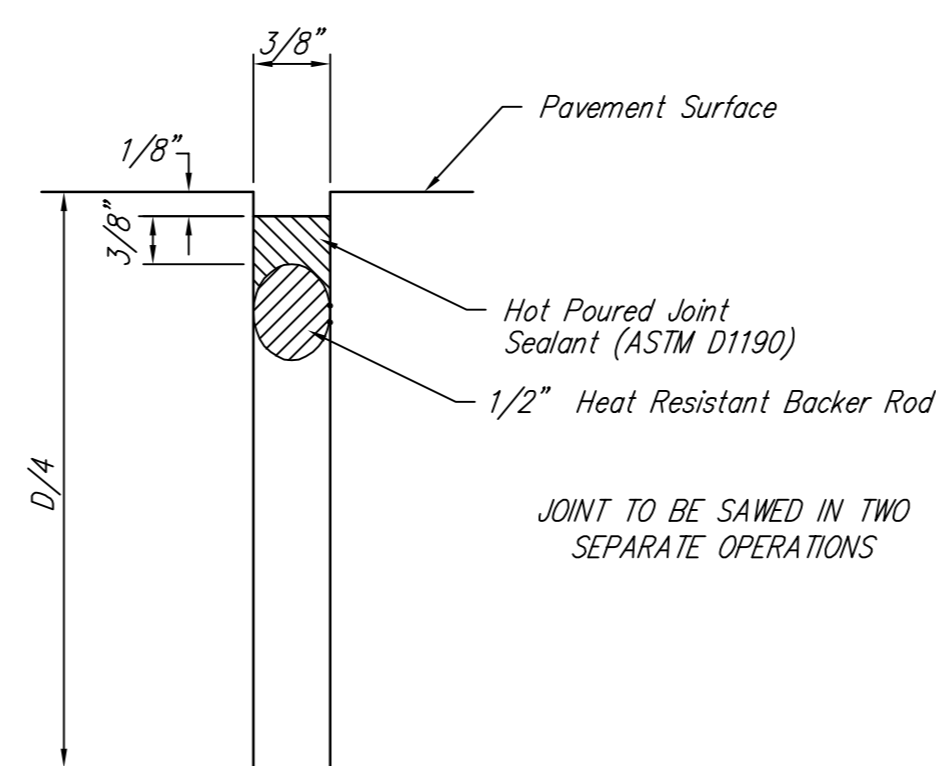
OPTIONAL CONTRACTION JOINT (CONSTRUCTION JOINT)



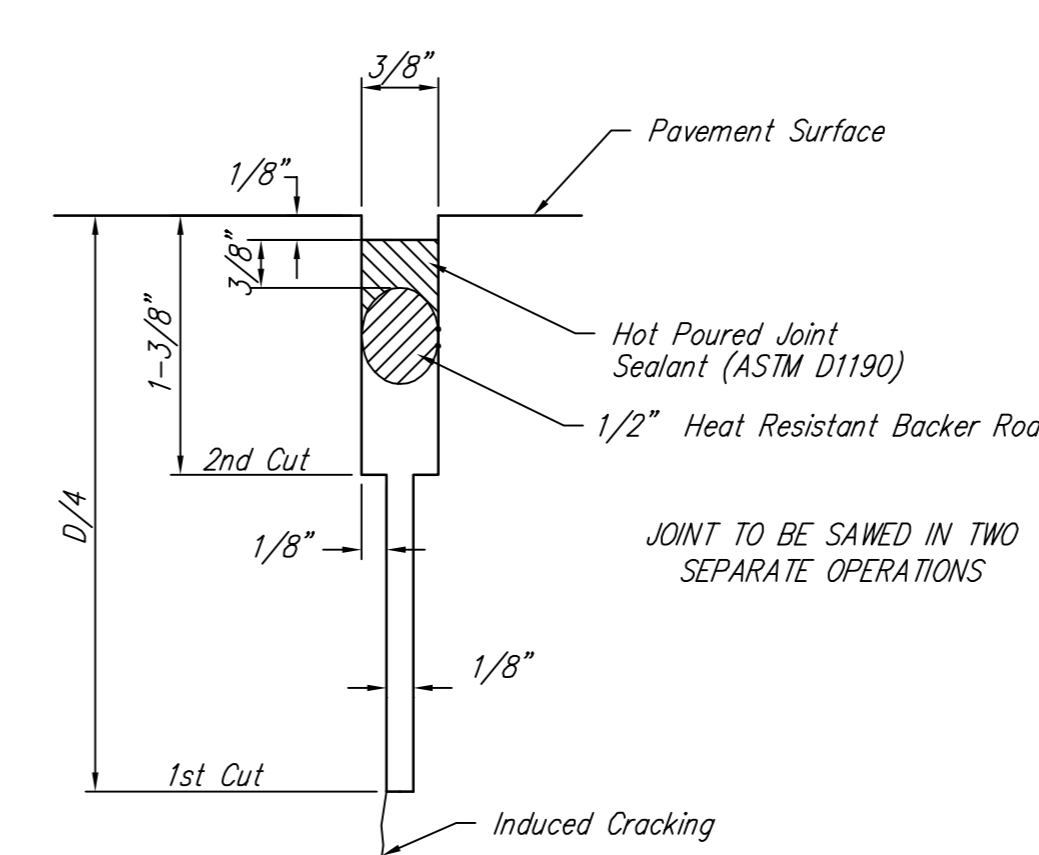
OPTIONAL LONGITUDINAL JOINT DETAIL (L.J.) (CONSTRUCTION JOINT)



WING REINFORCING DETAIL



SAW JOINT DETAIL "B"



SAW JOINT DETAIL "A"

NOTE: 6" X 12" W4XW4 Wire Fabric Reinforcing Shall Be Placed So That The Wires With The 6" Spacing Will Run Parallel With The Longitudinal Joints.

		MISCELLANEOUS DETAILS	
PROJECT NUMBER 472-84686	DESIGN MWS	DRAWN JRW	DATE 5-09-08
REVISIONS:	APPROVED MWS	SCALE NONE	SHEET 4 OF 21
<small>E:\Prairie Pond Plaza\Street & Water\04.STR_Misc_Details.dwg</small>			<small>05-05-E249</small>