

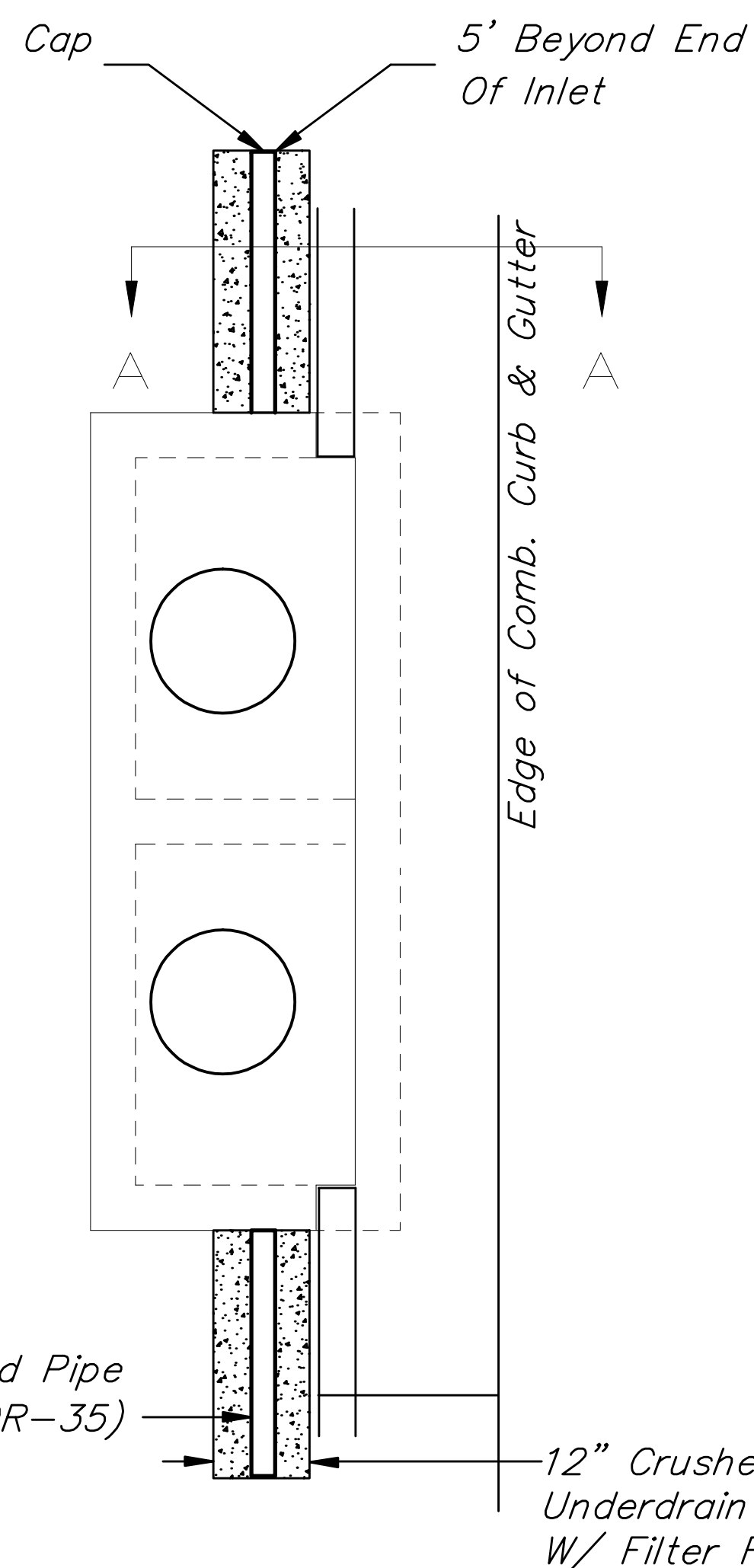
(Min. 16 Perforations Per Lin. Ft. @ 1/4" Dia.)  
Perforations To Be on Bottom Half

SECTION A-A

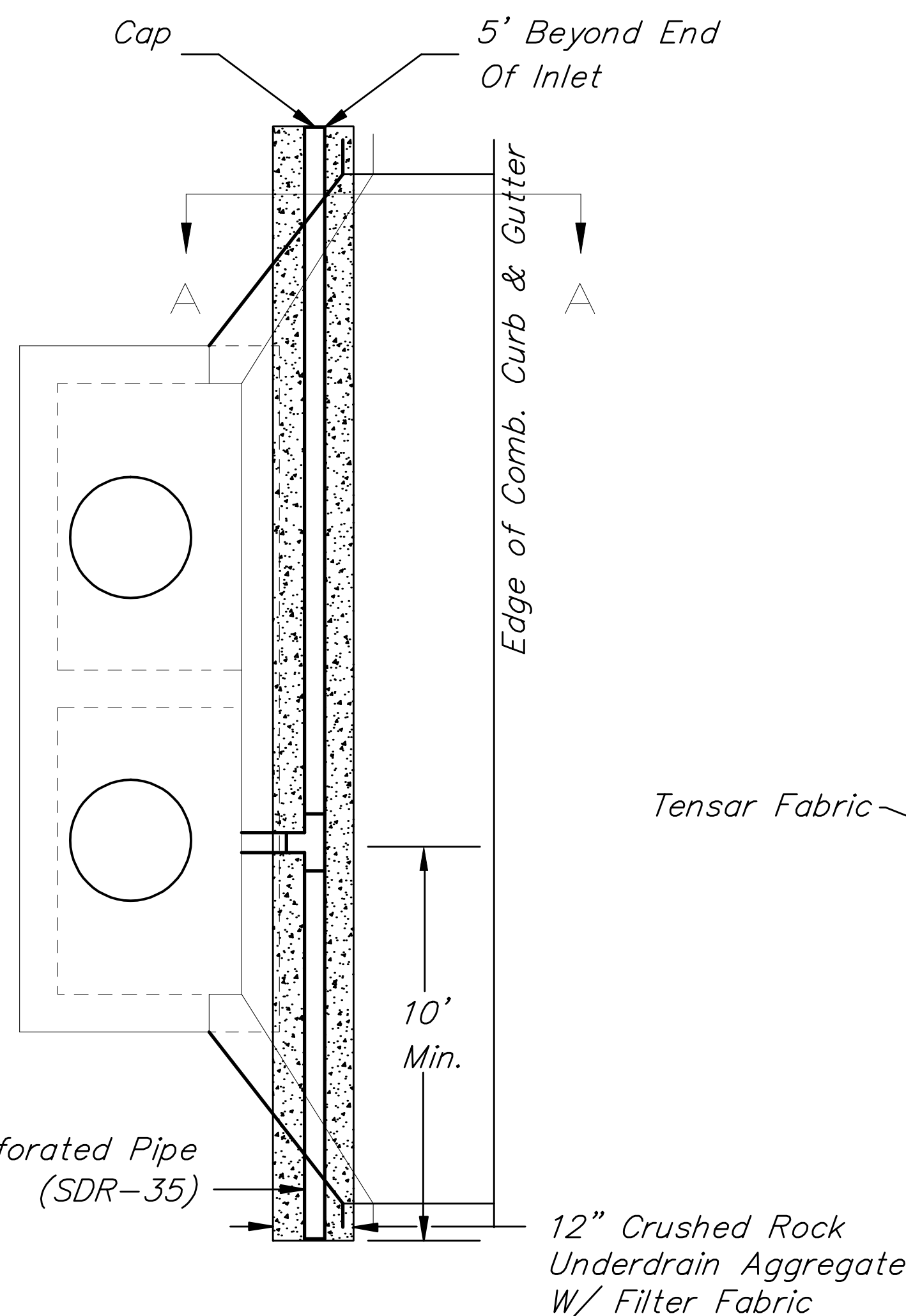
CRUSHED ROCK GRADATION REQUIREMENTS  
Percent of Aggregate Retained

1 1/2"	0
3/4"	15-60
# 4	40-80
#40	74-92
P-200	4-12

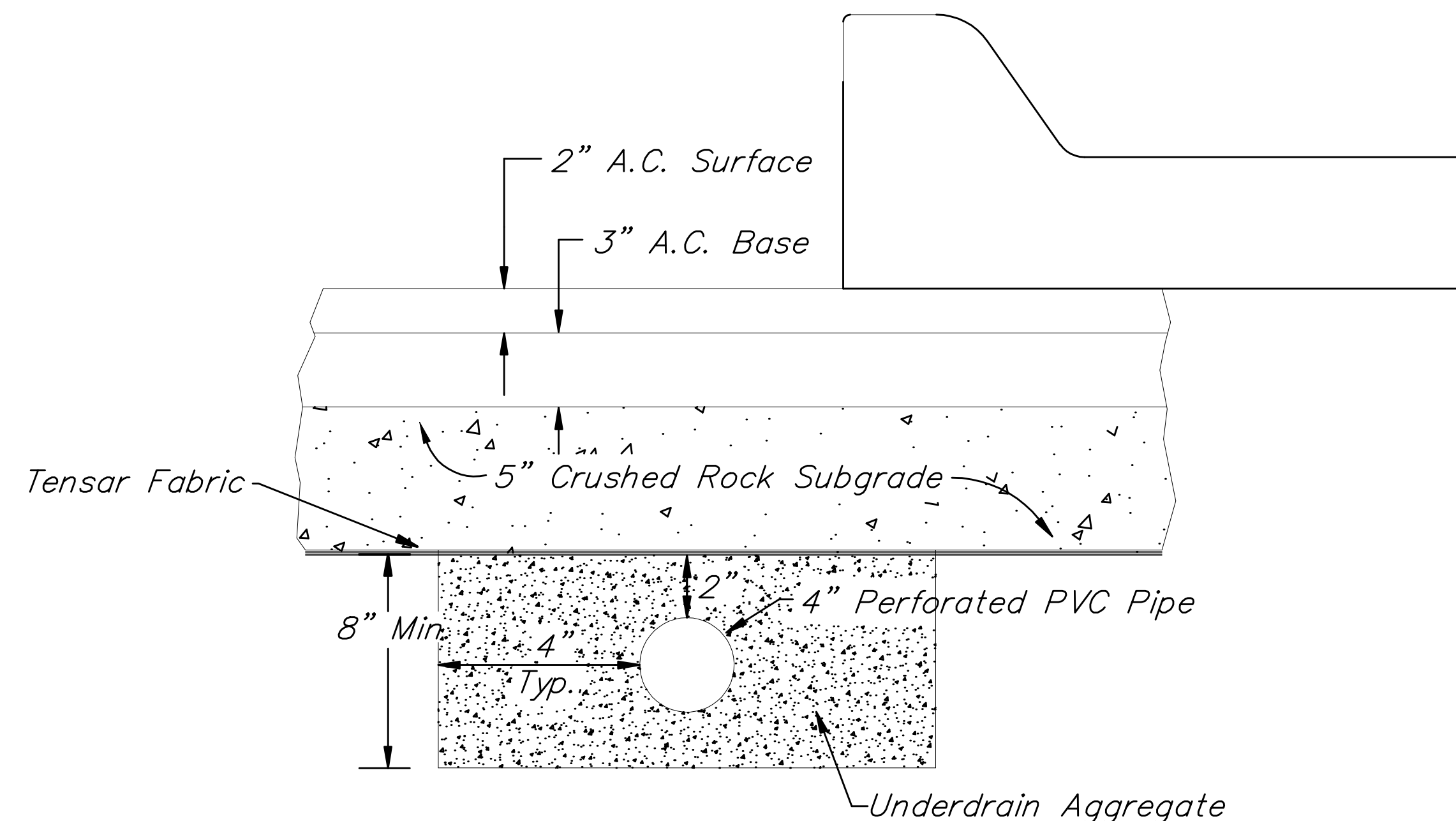
Rock Quality Shall Be The Same As Specified  
For Coarse Aggregate For Asphalt Concrete Mixes.



Type 1 & 2 Inlet



Type 1-A Inlet



NOTE: Place 4" PVC Perforated Pipe at all drainage sump locations.

Cost of Underdrain System to be incidental to the Reinforced Crushed Rock Subgrade.

PAVEMENT UNDERDRAIN DETAIL

<p>THE CITY OF WICHITA CITY ENGINEER'S OFFICE CITY HALL - SEVENTH FLOOR 455 NORTH MAIN STREET WICHITA, KANSAS 67202 (316) 268-4501 (316) 268-4114 FAX</p>	<b>PAVEMENT UNDERDRAIN DETAIL</b>	
	JAMES L. ARMOUR, P.E. - CITY ENGINEER	
PROJECT NUMBER	INDEX CODE	
472-84705	766219	
DATE	SHEET 29 OF 41	
JAN 2009		

No.	Date	By	Approved	Revision

HIGH POINT WEST ADDITION  
STREET AND STORM SEWER IMPROVEMENTS  
PAVEMENT UNDERDRAIN DETAILS  
CITY OF WICHITA, KANSAS  
JAMES L. ARMOUR, P.E. - CITY ENGINEER  
C.O.W. Proj. No. 472-84705 OCA No. 766219

**POE & ASSOCIATES, INC.**  
CONSULTING ENGINEERS  
5940 E. Central, Suite 200 - Wichita, KS 67208-4242  
Phone 316-665-4114 • FAX 316-665-4444

**PE**

Designed By: J. Dickman  
Drawn By: M. Tucker  
Poe Job No.: 1916A  
Date: January 2009

Sheet 29 of 41