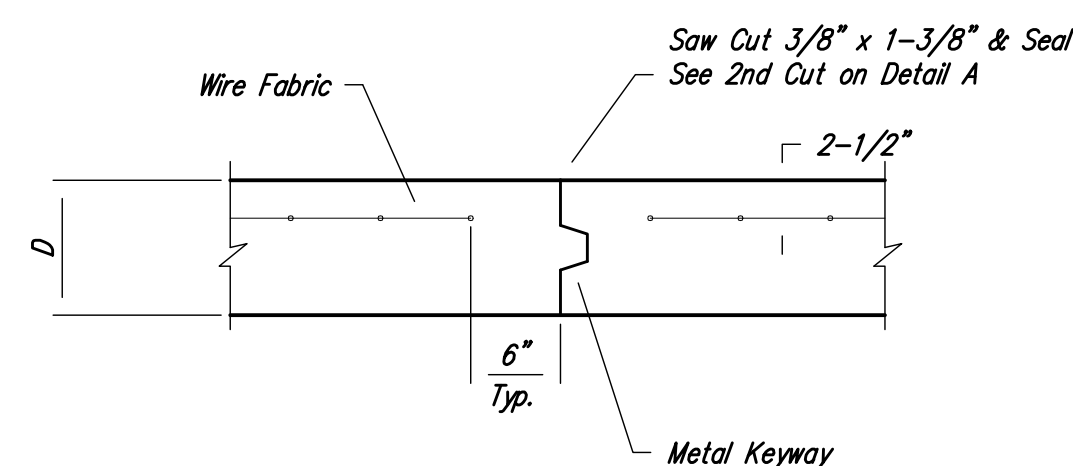
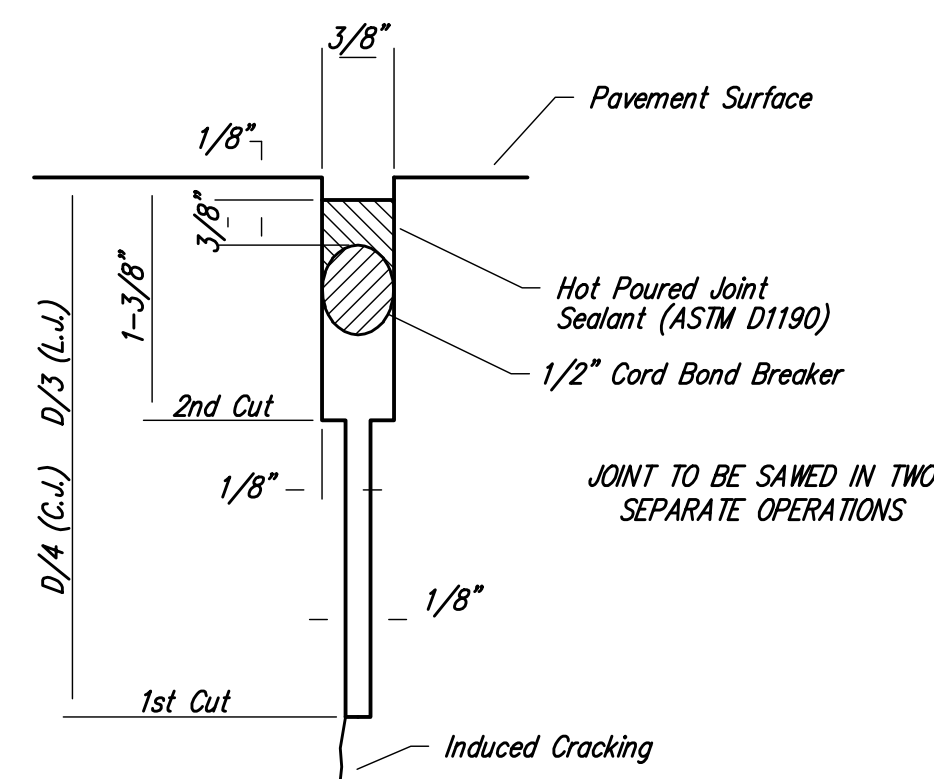


EXPANSION JOINT

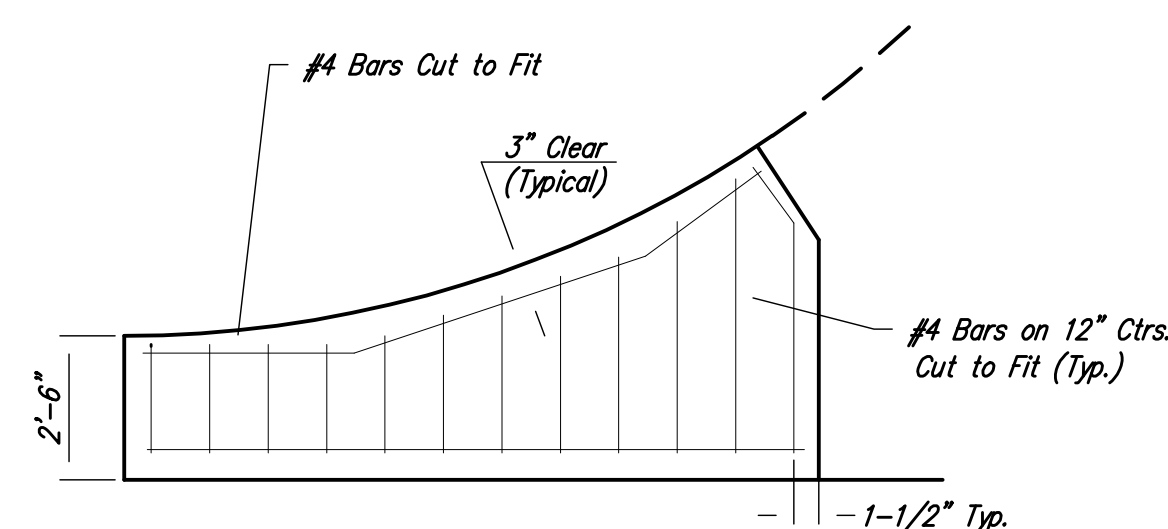
NOTE: Extra Thickness to be Subsidiary to Price of Square Yards Pavement



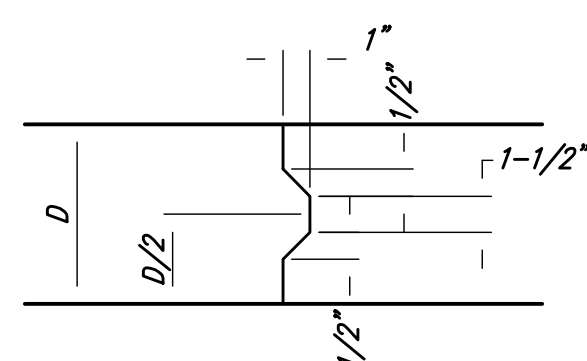
OPTIONAL CONTRACTION JOINT



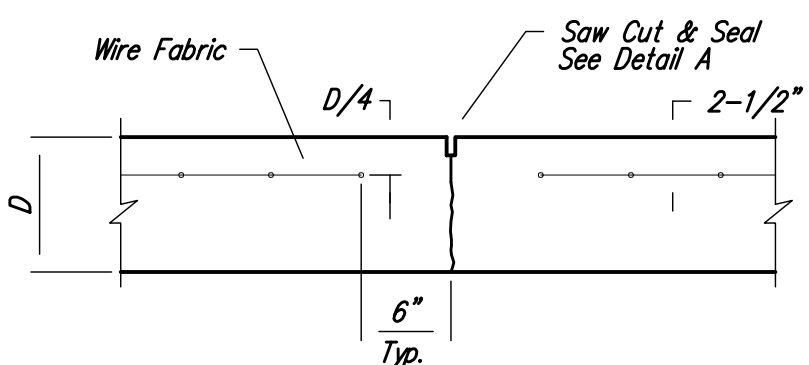
SAW JOINT DETAIL



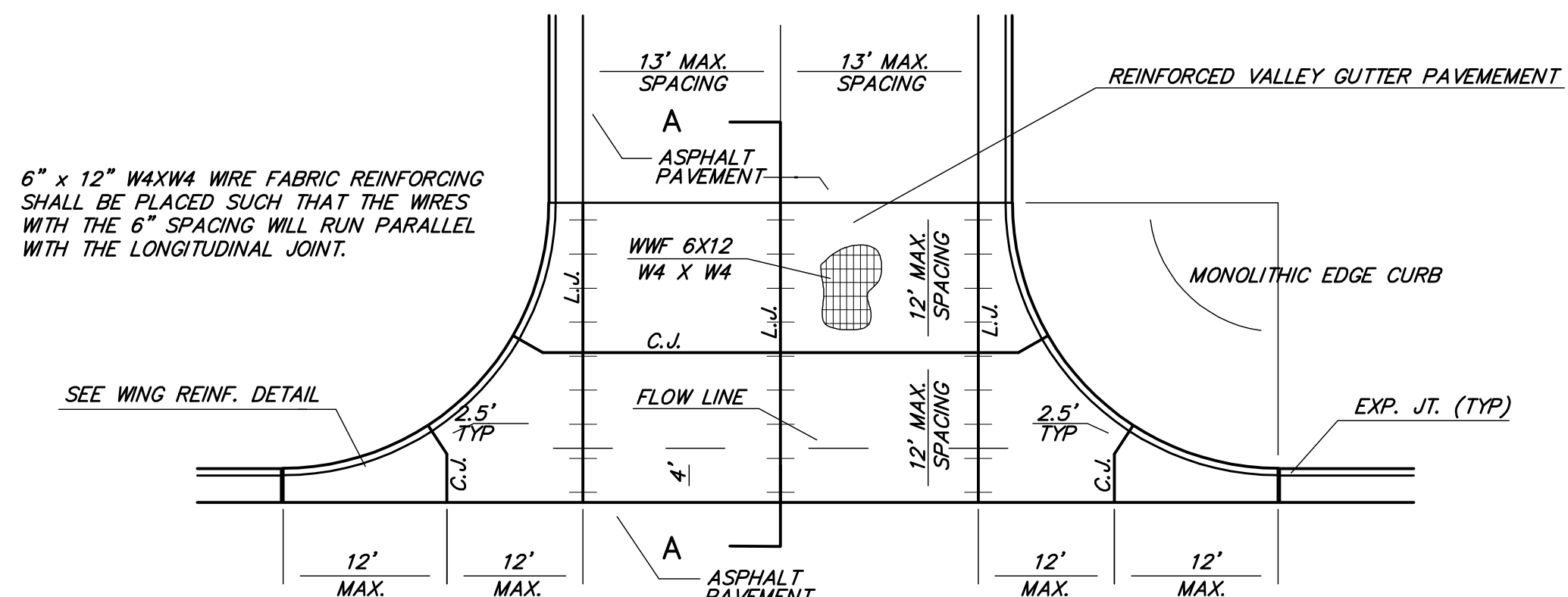
WING REINFORCING DETAIL



KEYWAY DETAIL

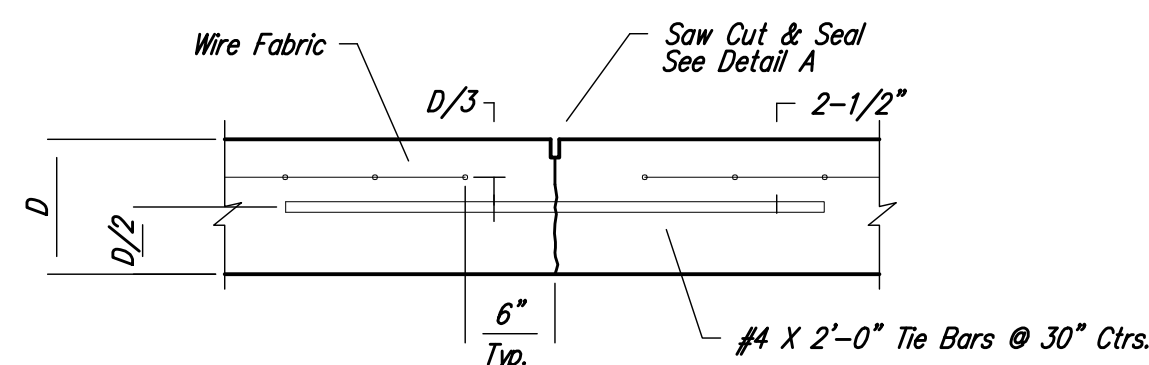


CONTRACTION JOINT DETAIL (C.J.)

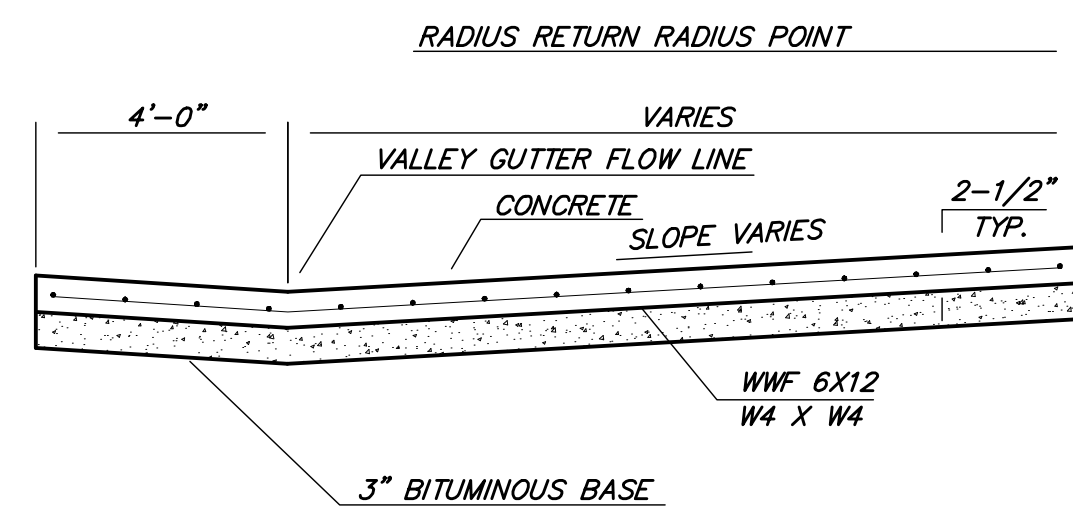


PLAN

6" x 12" W4XW4 WIRE FABRIC REINFORCING SHALL BE PLACED SUCH THAT THE WIRES WITH THE 6" SPACING WILL RUN PARALLEL WITH THE LONGITUDINAL JOINT.

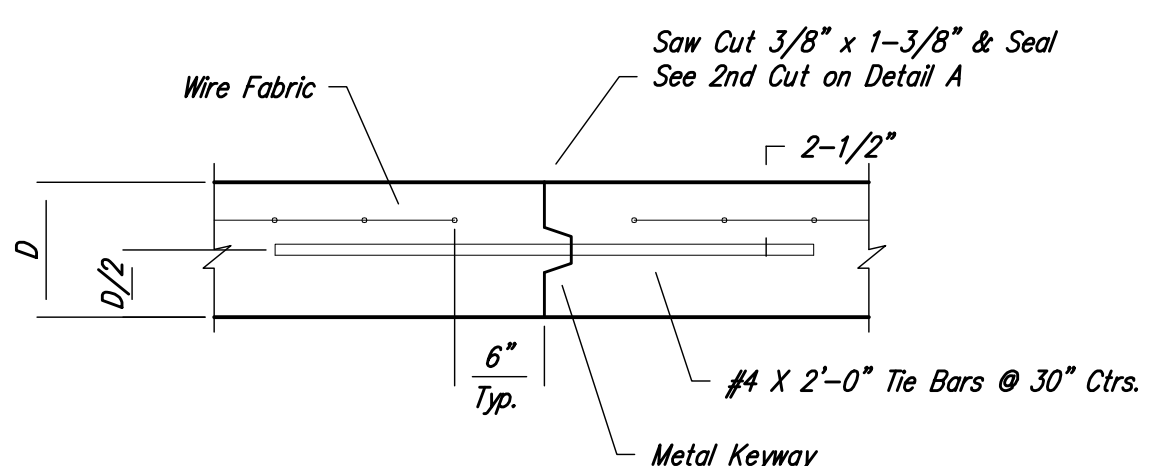


LONGITUDINAL JOINT DETAIL (L.J.)



SECTION A-A

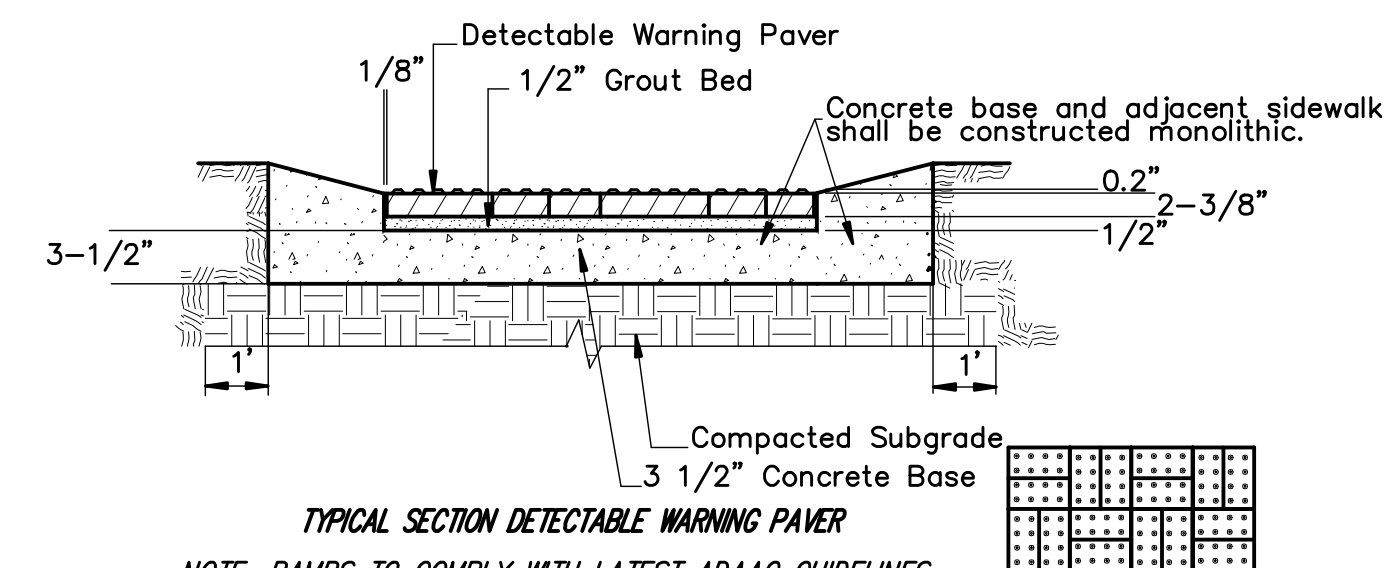
REINFORCED VALLEY GUTTER DETAIL



OPTIONAL LONGITUDINAL JOINT DETAIL (L.J.)

D = 5"

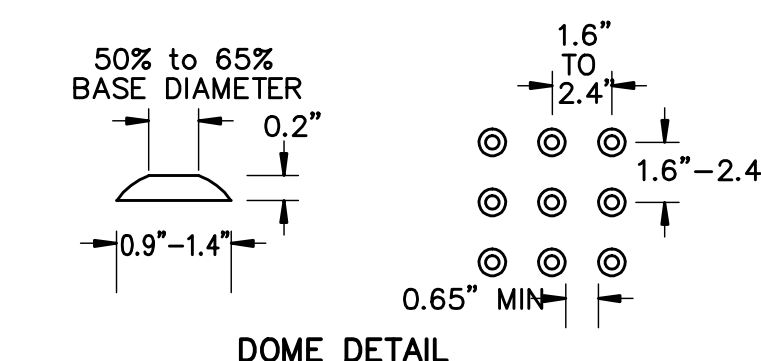
(TYPE A)
STANDARD WHEELCHAIR RAMP
WITH DETECTABLE WARNING
CONSTRUCTION DETAIL FOR STREETS
WITH COMBINED CURB & GUTTER



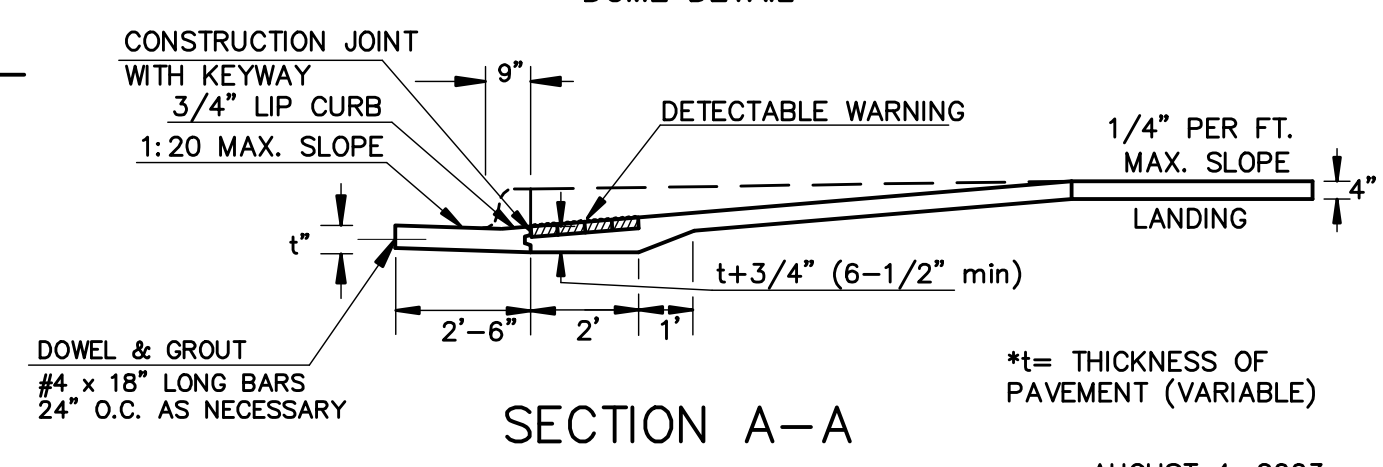
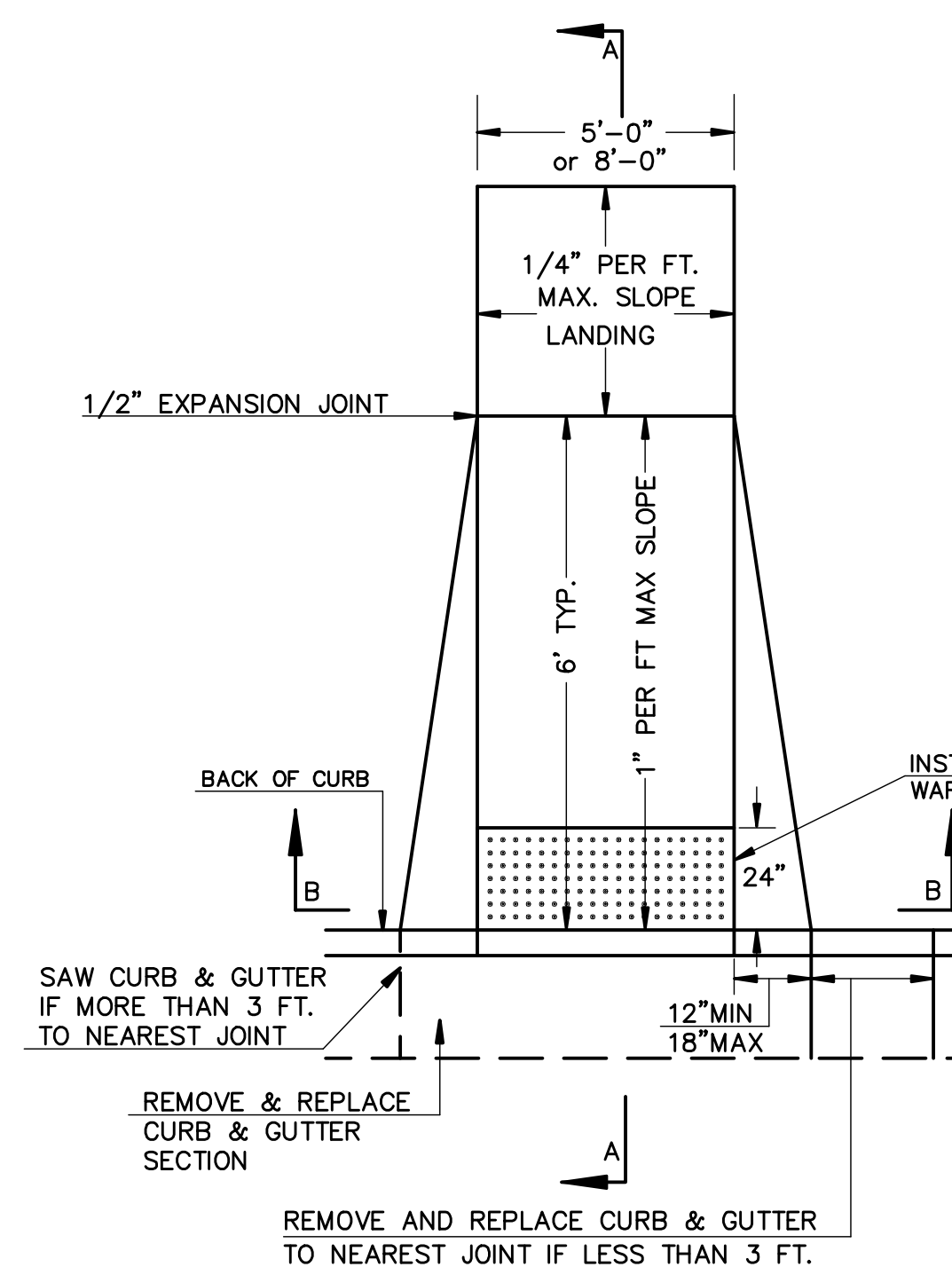
TYPICAL SECTION DETECTABLE WARNING PAVER

NOTE: RAMPS TO COMPLY WITH LATEST ADAAG GUIDELINES. PAVESTONE DETECTABLE WARNING PAVERS (OR AN APPROVED EQUAL) SHALL BE USED IN ALL WHEELCHAIR RAMPS. THE RED PAVER SHALL BE INSTALLED USING A BASKET WEAVE/PARQUET PATTERN. OTHER PATTERNS MAY BE USED WITH APPROVAL OF ENGINEER. SAND FILL JOINTS. ALIGN DOMES IN THE DIRECTION OF PEDESTRIAN TRAVEL.

SECTION B-B



DOMES DETAIL



SECTION A-A

AUGUST 4, 2003

No.	Date	By	Approved	Revision

HIGH POINT WEST ADDITION
 STREET AND STORM SEWER IMPROVEMENTS
 VALLEY GUTTER / WHEELCHAIR RAMP DETAILS
 CITY OF WICHITA, KANSAS
 JAMES L. ARMOUR, P.E. - CITY ENGINEER
 C.O.N. Proj. No. 472-84705 OCA No. 766219

POE & ASSOCIATES, INC.
 CONSULTING ENGINEERS
 5940 E. Central, Suite 200 • Wichita, KS 67208-4242
 Phone 316-665-4114 • FAX 316-665-4444

FINAL
 Designed By: J. Dickman
 Drawn By: M. Tucker
 P.O. Job No.: 1916A
 Date: January 2009

Sheet
 30 of 41