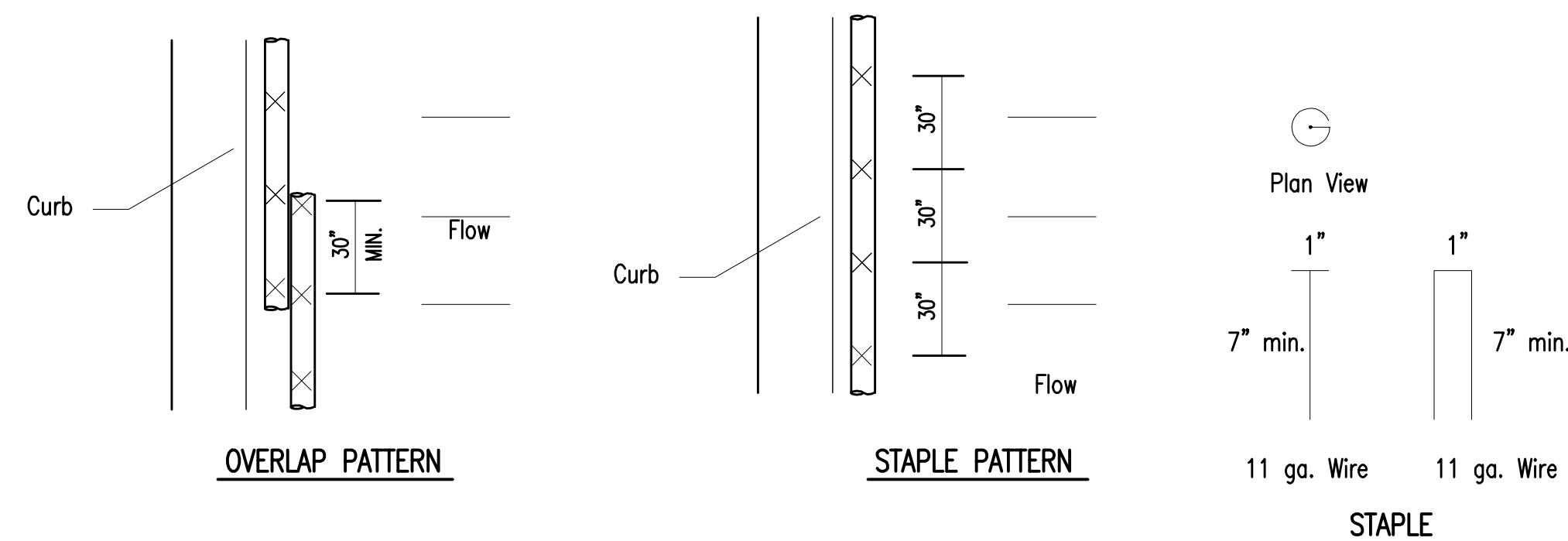


Install Sediment Log/Roll or Sod on prepared surface at back of curb. (See details)

- NOTES:
- EXCELSIOR LOG/ROLL TO BE INSTALLED WHEN SOD IS NOT SPECIFIED ON PROJECT.
 - AFTER INSTALLATION OF LOG/ROLL, AT LOCATIONS WHERE CONCENTRATED FLOW CARRIES SEDIMENT OVER THE CURB AND INTO THE GUTTER, SUPPLEMENTAL EROSION CONTROL DEVICES WILL BE INSTALLED BY THE CONTRACTOR AS NEEDED, TO FIX THE PROBLEM.

BACK OF CURB PROTECTION DETAIL



DETAILS FOR SEDIMENT LOG/ROLL

SEDIMENT LOG BARRIERS

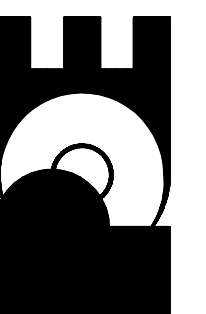
NOTES:
FOLDED Excelsior matting will not be accepted.

- NOTES:
- Barriers must be placed back of curb along street and up the driveway sufficiently to catch all sediment from the yard.
 - Anchor to ground every 30" with a 7" min. long staple.
 - Remove accumulated sediment when within 2 inches of top of device.
 - Replace/repair all broken/damaged sediment logs/rolls to maintain effectiveness of device.
 - Sediment logs/rolls can be driven over for access to the site. They need to be picked up and put back down after they have been compacted by any traffic to maintain effectiveness of BMP. Replace as needed per original design.

No.	Date	By	Approved	Revision

HIGH POINT WEST ADDITION
STREET AND STORM SEWER IMPROVEMENTS
EROSION CONTROL BMP'S
CITY OF WICHITA, KANSAS
JAMES L. ARMOUR, P.E. - CITY ENGINEER
C.O.N.W. Proj. No. 472-84705 OCA No. 766219

POE & ASSOCIATES, INC.
CONSULTING ENGINEERS
5940 E. Central, Suite 200 - Wichita, KS 67208-4242
Phone 316/665-4114 • FAX 316/665-4444



FINAL
Designed By: J. Dickman
Drawn By: M. Tucker
Poe Job No.: 1916A
Date: January 2009