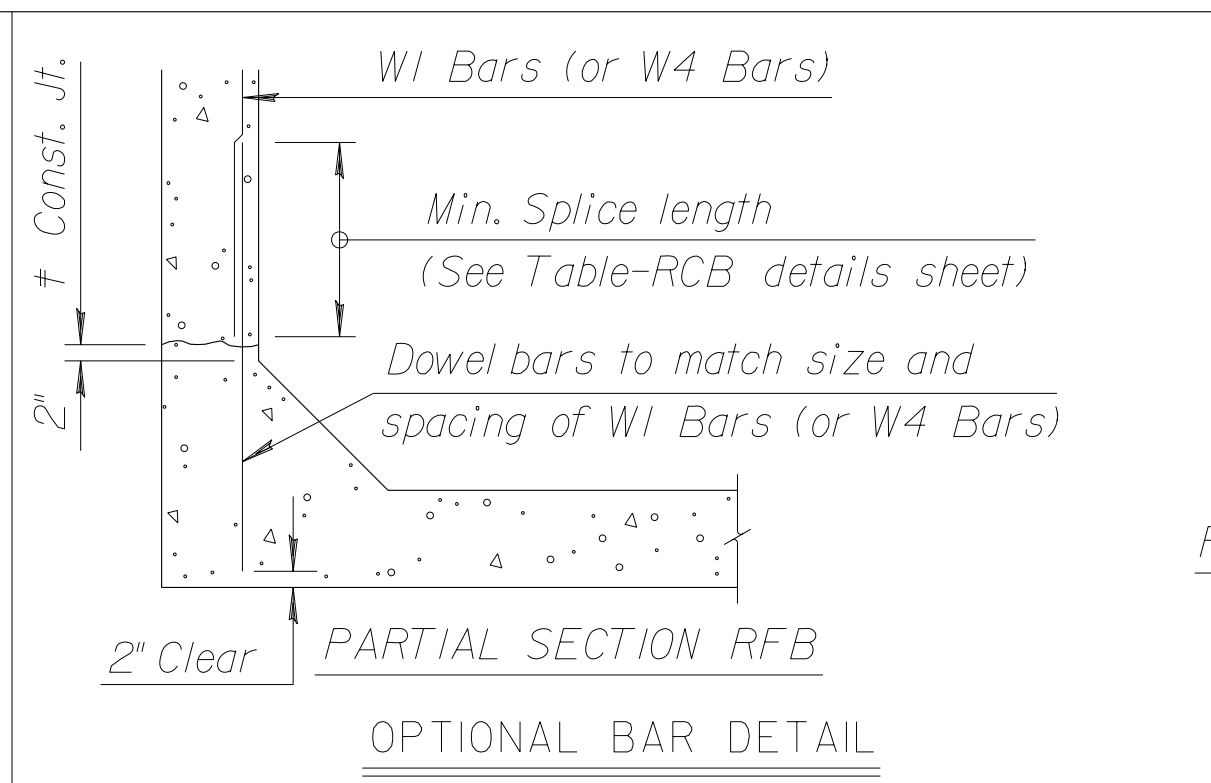
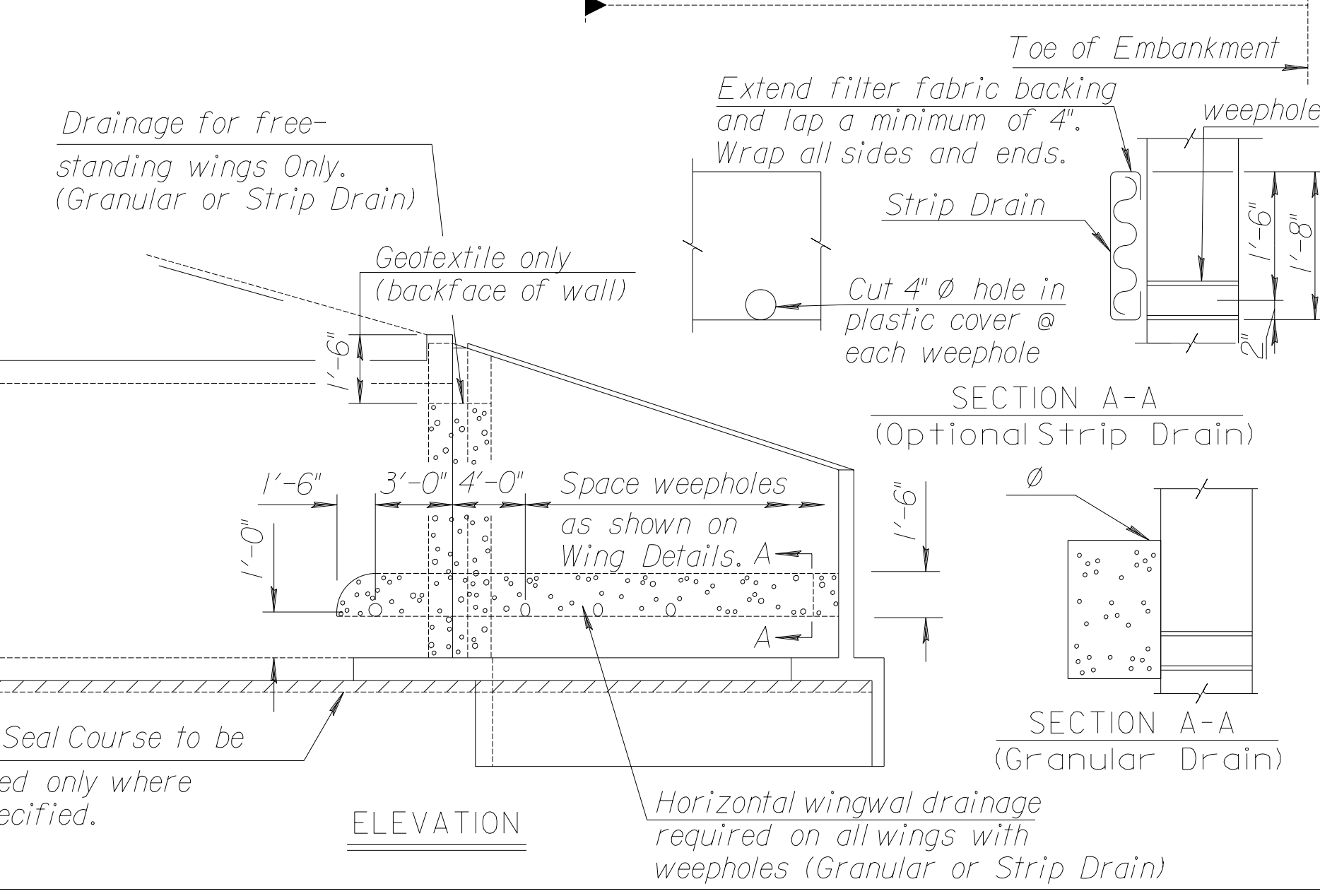
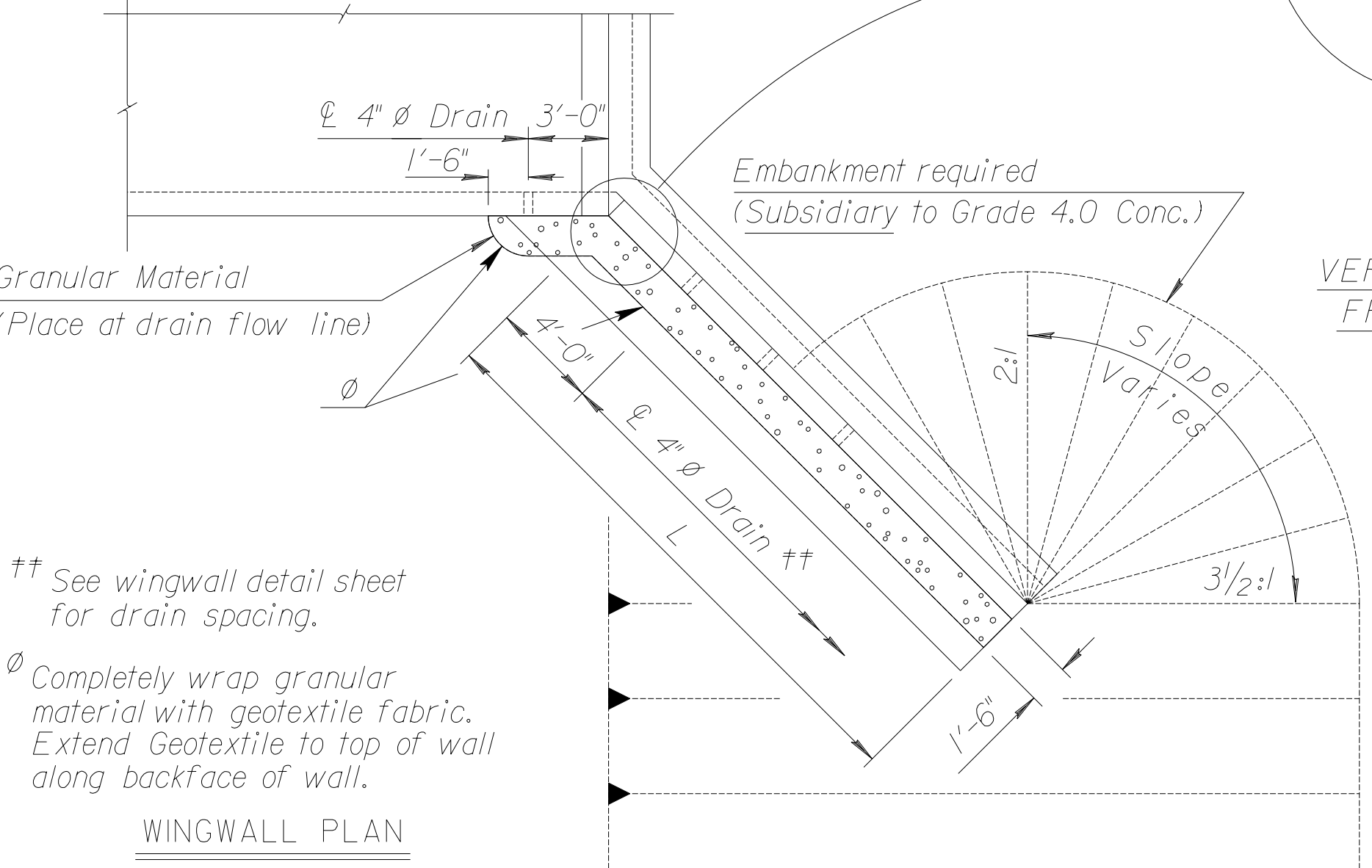
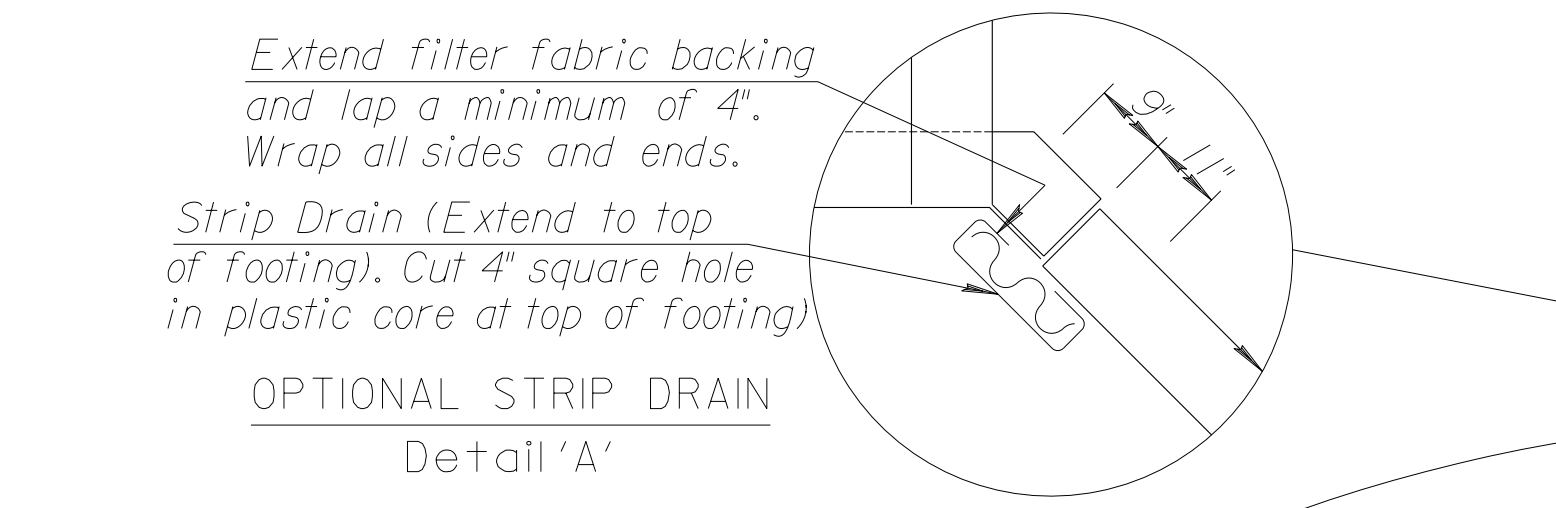
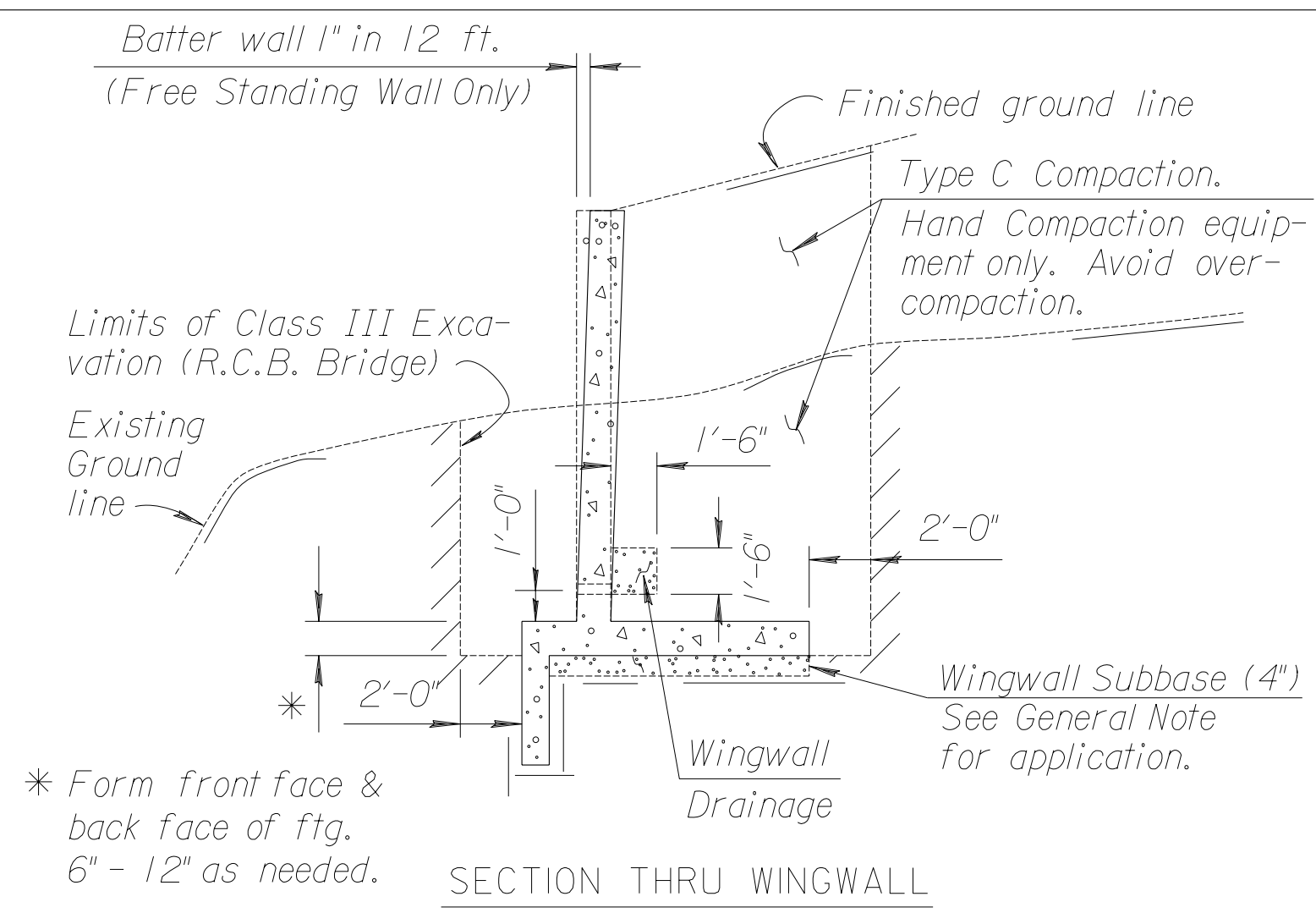


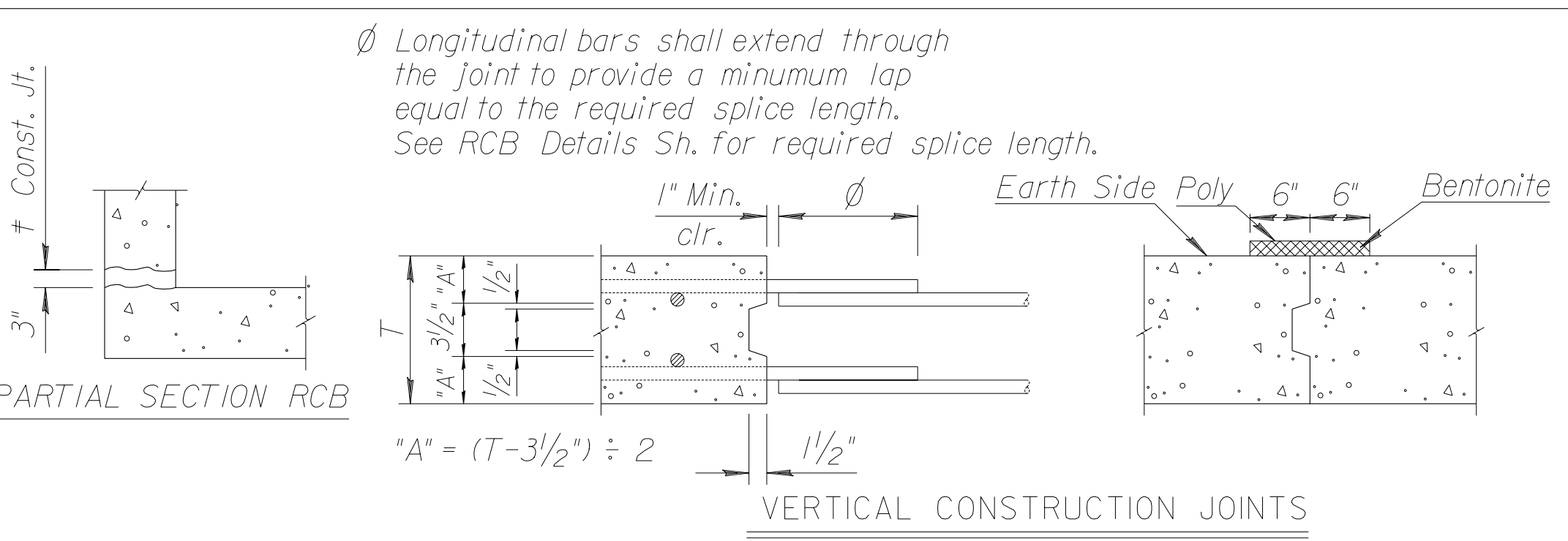
STATE	PROJECT NO.	YEAR	SHEET NO.	TOTAL SHEETS
KANSAS	468-82473	2007	19	46



The Contractor shall have the option of using Dowel Bars to match vertical wall bars as shown, however no allowance will be made for additional steel required for bar laps.

† OPTIONAL COLD JOINT

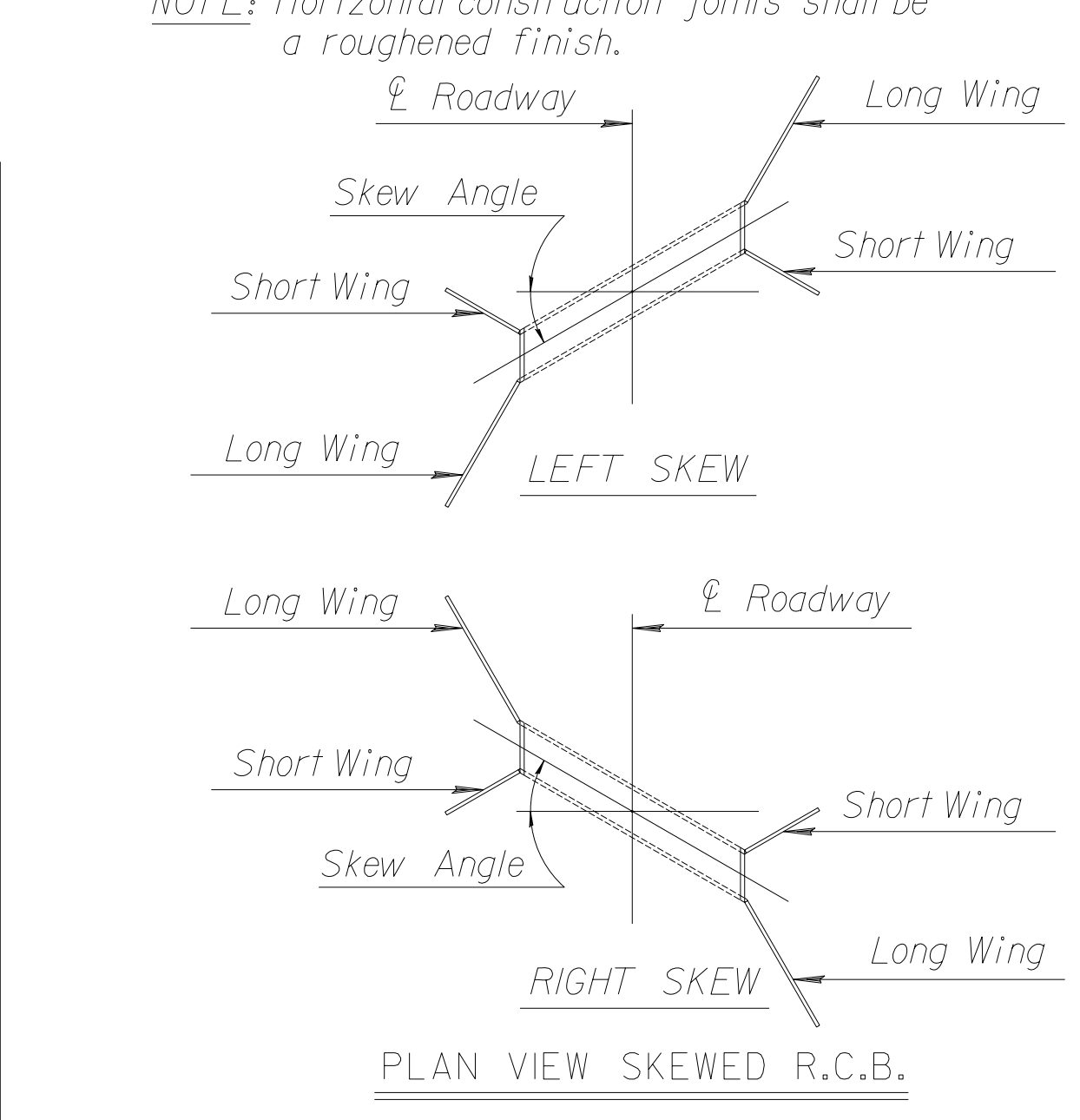
The Contractor has the option of placing the Lower Horizontal Construction Joint at the top of the slab for RCB's or at the top of the fillet for RFB's



∅ Longitudinal bars shall extend through the joint to provide a minimum lap equal to the required splice length. See RCB Details Sh. for required splice length.

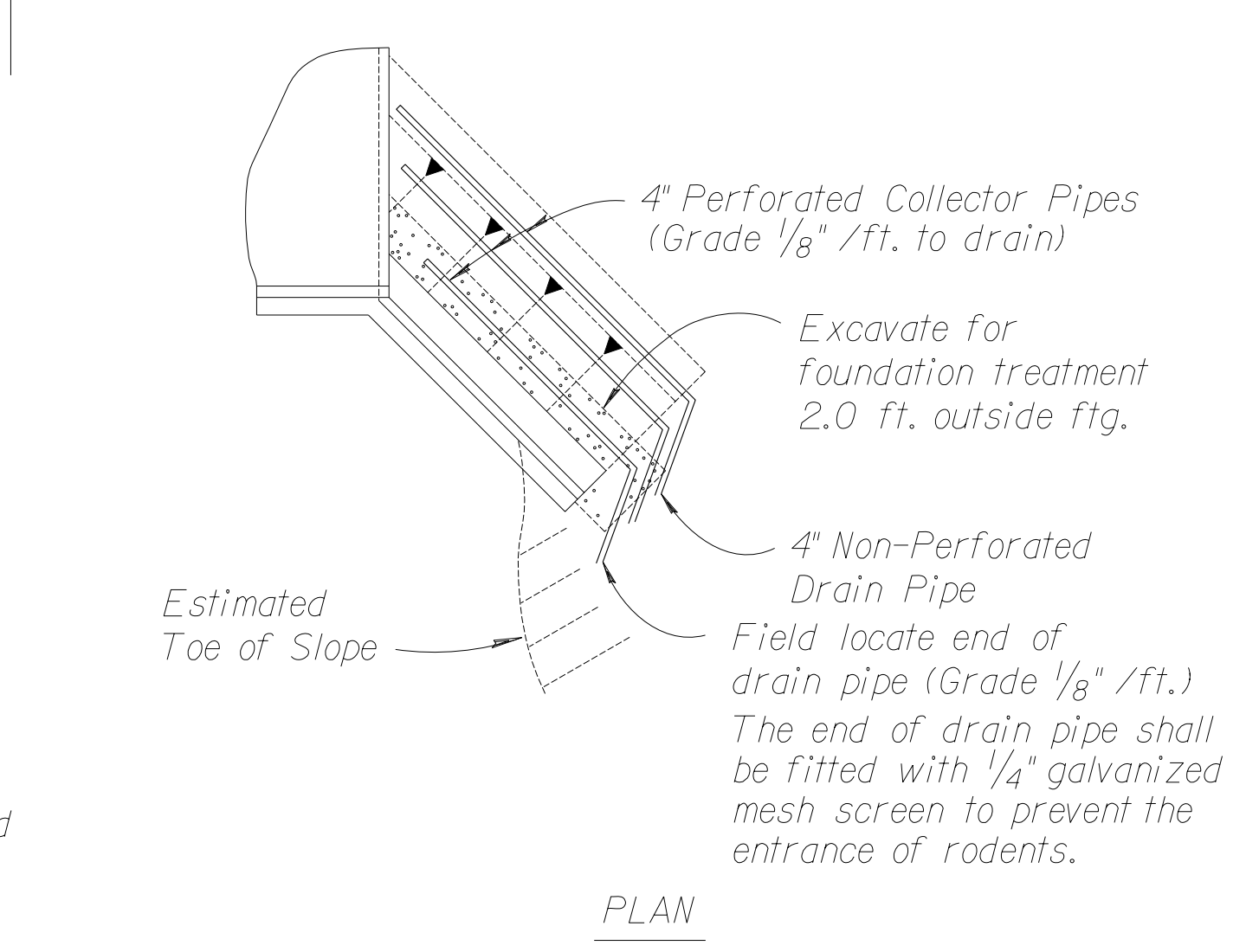
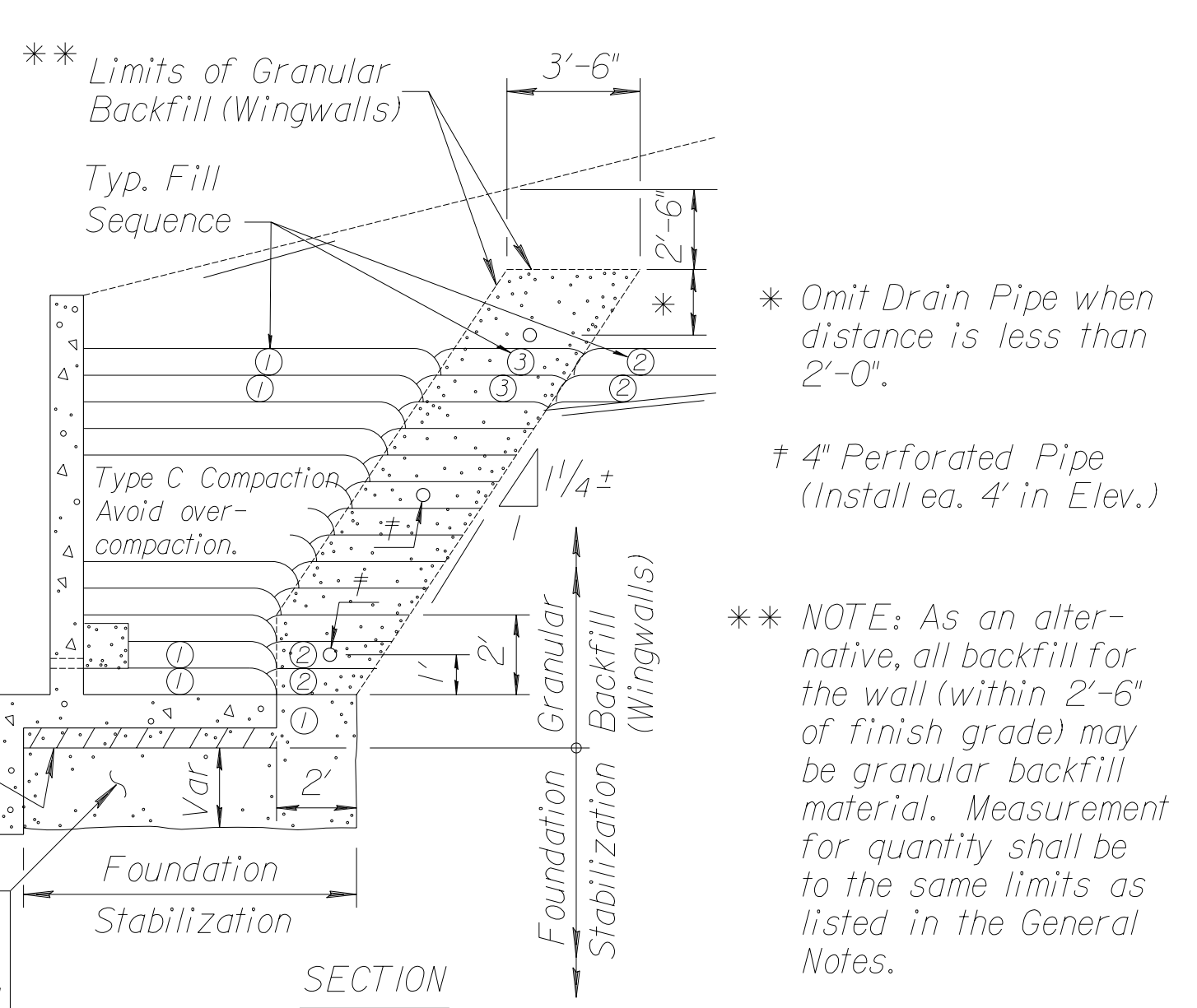
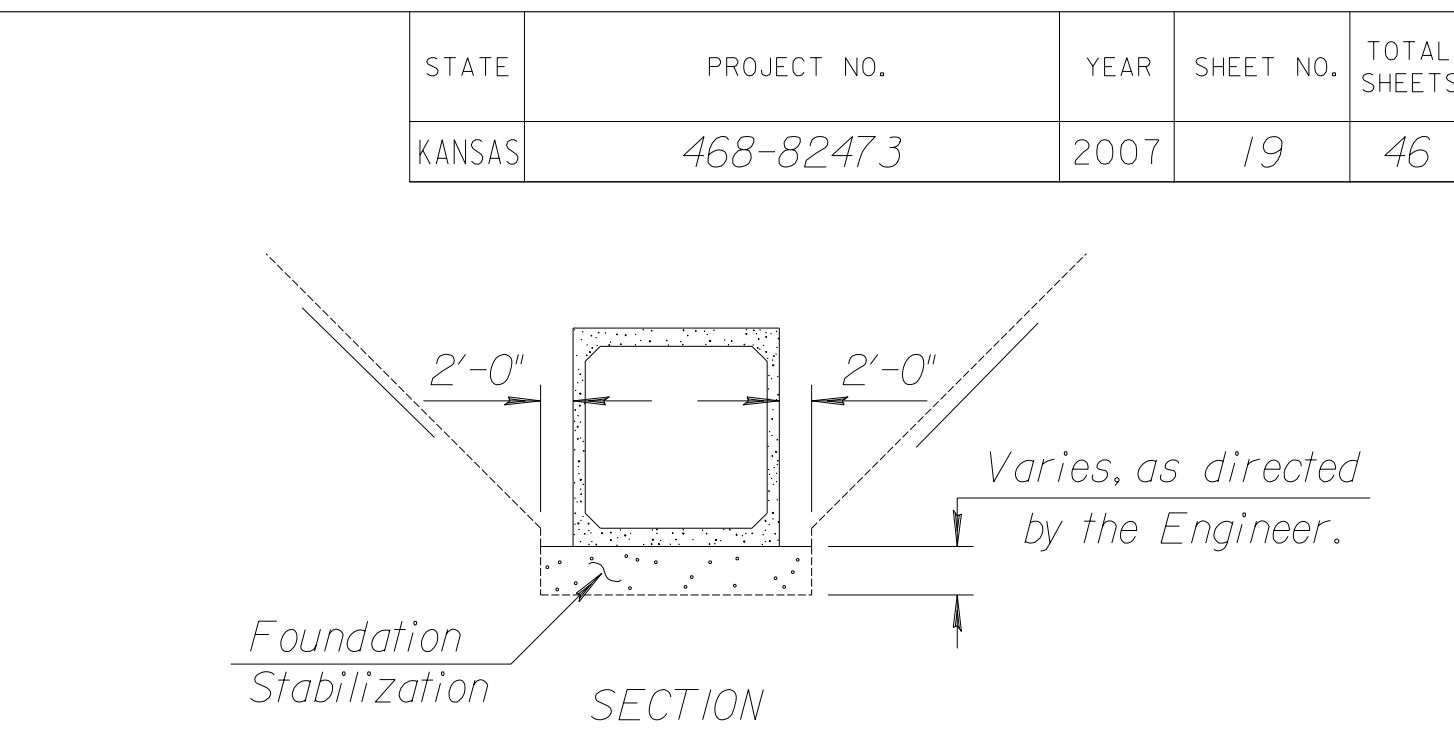
NOTE: Vertical construction joints shall be perpendicular to the longitudinal axis of the RCB and shall be placed at any location as needed for construction and as approved by the Engineer.

NOTE: Barrel Construction Joints located in a median with less than 5 ft. of fill or at locations specified by the Engineer, shall be protected by a bentonite based system as shown. Place the bentonite on the exterior walls and top slab. See requirements for bentonite in the KDOT Specifications for "Bridge Backwall Protection System". Material and installation of the bentonite system shall be subsidiary to the bid item "Grade 4.0 Concrete".



GENERAL NOTES

GENERAL NOTES



GENERAL NOTES

Foundation Stabilization:

- At sites where the wingwall footing or culvert floor is located within the limits of an existing streambed or is founded on unsuitable material, the Engineer will determine the depth of Foundation Stabilization.
- Foundation Stabilization may be required under the box and/or wingwalls as directed by the Engineer. The granular material placed for foundation stabilization shall be measured and paid for at the contract price per cubic yard for "Foundation Stabilization". Material for Foundation Stabilization shall be suitable backfill material as approved by the Engineer. The excavation for the placement of granular material shall be subsidiary to the bid item, "Foundation Stabilization".

Granular Backfill (Wingwalls):

- In locations where the material behind the wingwall consist of soils judged as high plasticity clays, fat clays, expansive clays or organic clays, Granular Backfill (Wingwalls) shall be used. Granular Backfill construction may be used separately or combined with Foundation Stabilization as directed by the Engineer.
- Measurement for the bid item, "Granular Backfill (Wingwalls)", shall be measured in Cubic Yards to the theoretical limits as shown. Drainage pipe, rodent screens, and excavation shall be subsidiary to the bid item, "Granular Backfill (Wingwalls)".
- Material for Granular Backfill (Wingwalls) shall conform to the requirements of UD-1 or BD-1. Drainage Pipe shall be corrugated polyethylene tubing conforming to KDOT Specifications.

NO.	DATE	REVISIONS	BY	APP'D
7	3/2/06	Optional Construction Joint	JPJ	KFH
6	10/19/04	Concrete - Class to Grade	RAM	KFH
5	12/29/03	Geotextile to top of wall	RAM	KFH
4	5/15/02	Removed Wing Height Stipulation	RAM	KFH
3	3-28-97	Wrap granular drains	RAM	KFH
2	9-20-96	Strip drain & bentonite at joint	RAM	KFH

KANSAS DEPARTMENT OF TRANSPORTATION				
RCB AUXILIARY DETAILS				
BR020				
DESIGNED	RAM	DATE	5/22/06	APP'D
DESIGN CK.	RRR	DETAIL CK.	RRR	QUAN. CK.
			DESIGNED	KENNETH F. HURST
			TRACED	TRACED
			TRACE CK.	TRACE CK.

Std. Base File: br020.dgn
 Plotted By: -
 File: \$\$\$\$\$\$DGN\$P\$E\$C\$\$\$\$\$\$
 Plot Date: 10/30/2007