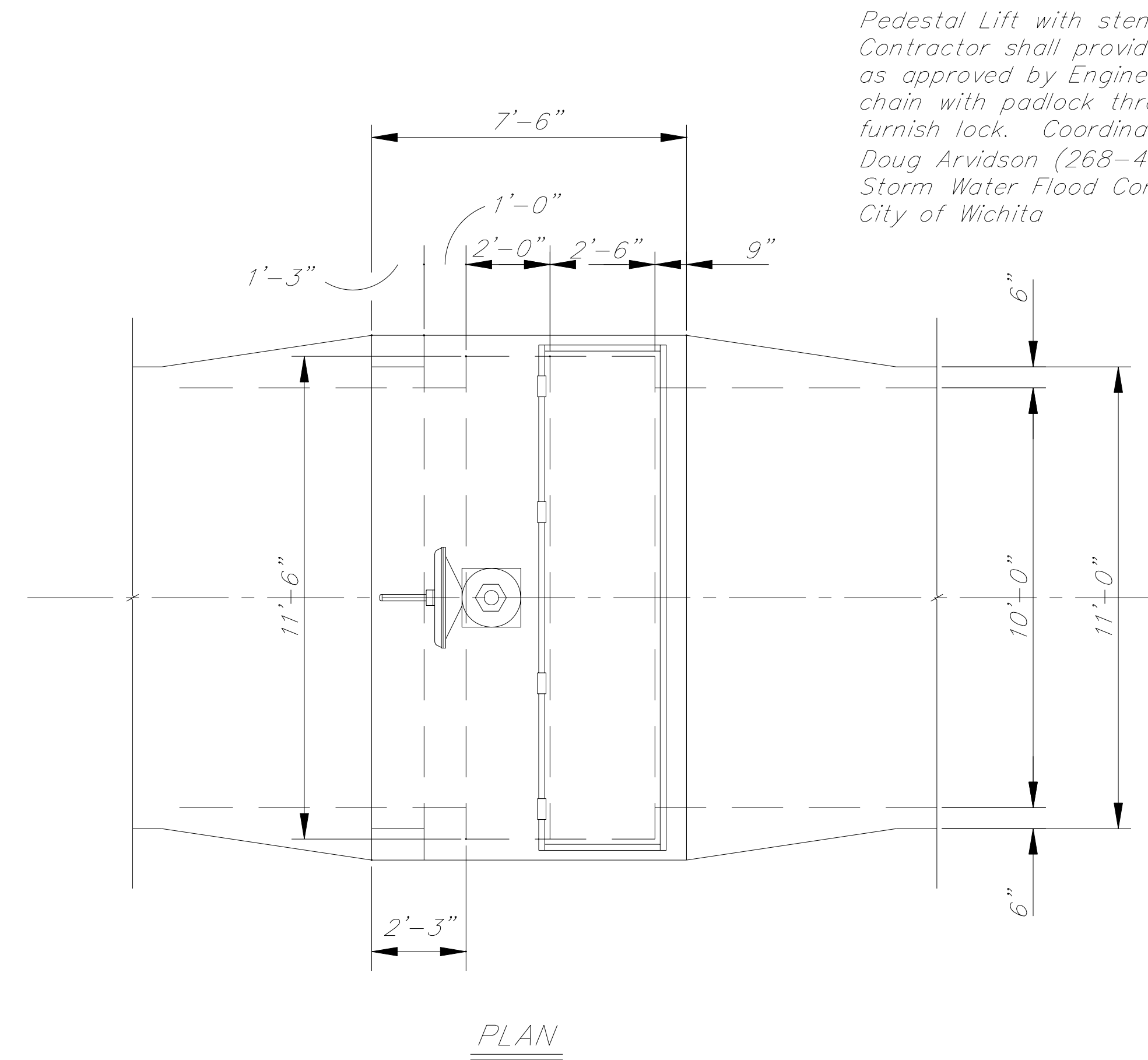
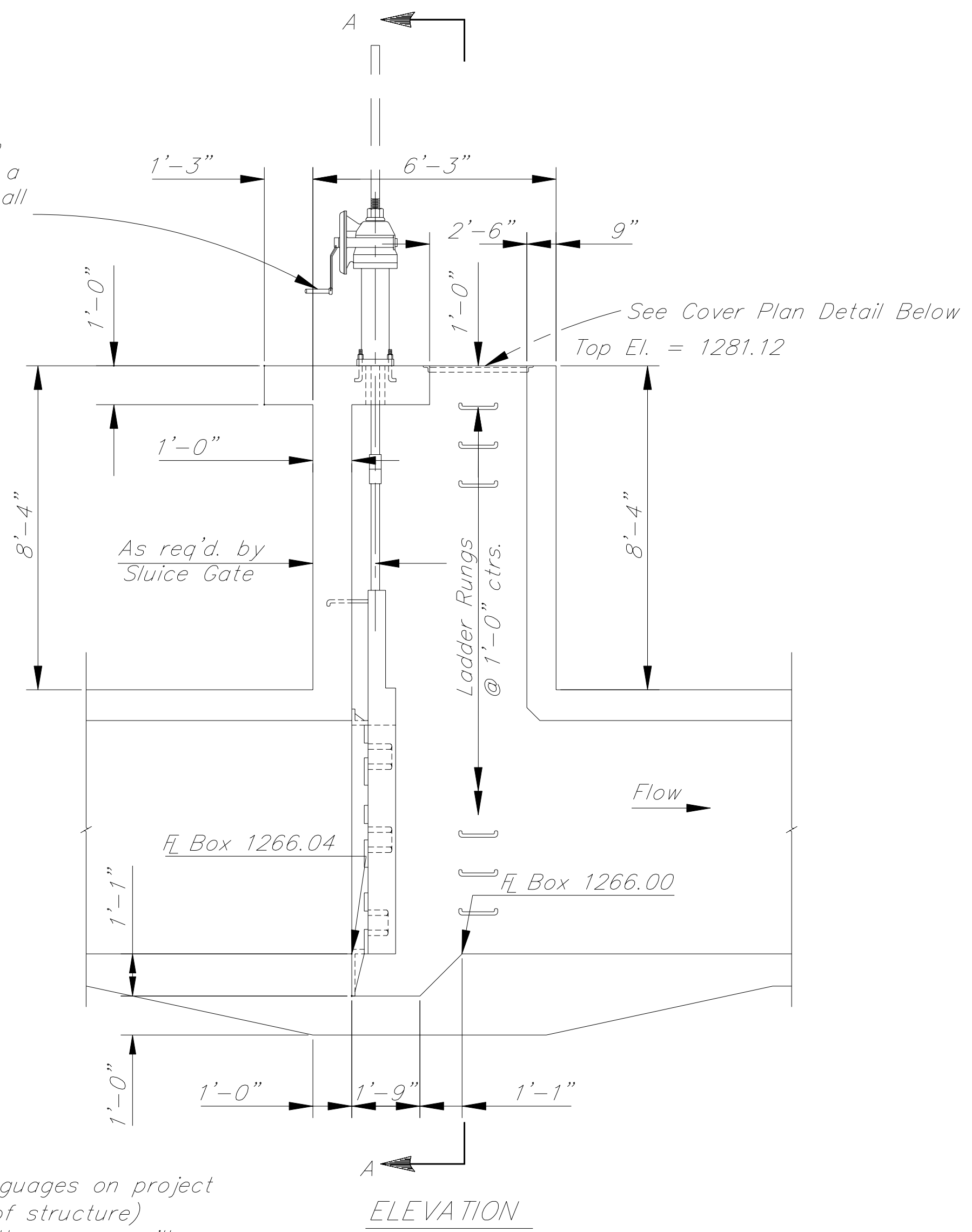


K:\32158A\CADD\SHEETS\DRAINAGE\22 slcgate.dgn
 SURV. JG, CP, PLOT CADD DES. DR. TR. CKD. APP. Last Plot-Date: 10/11/99



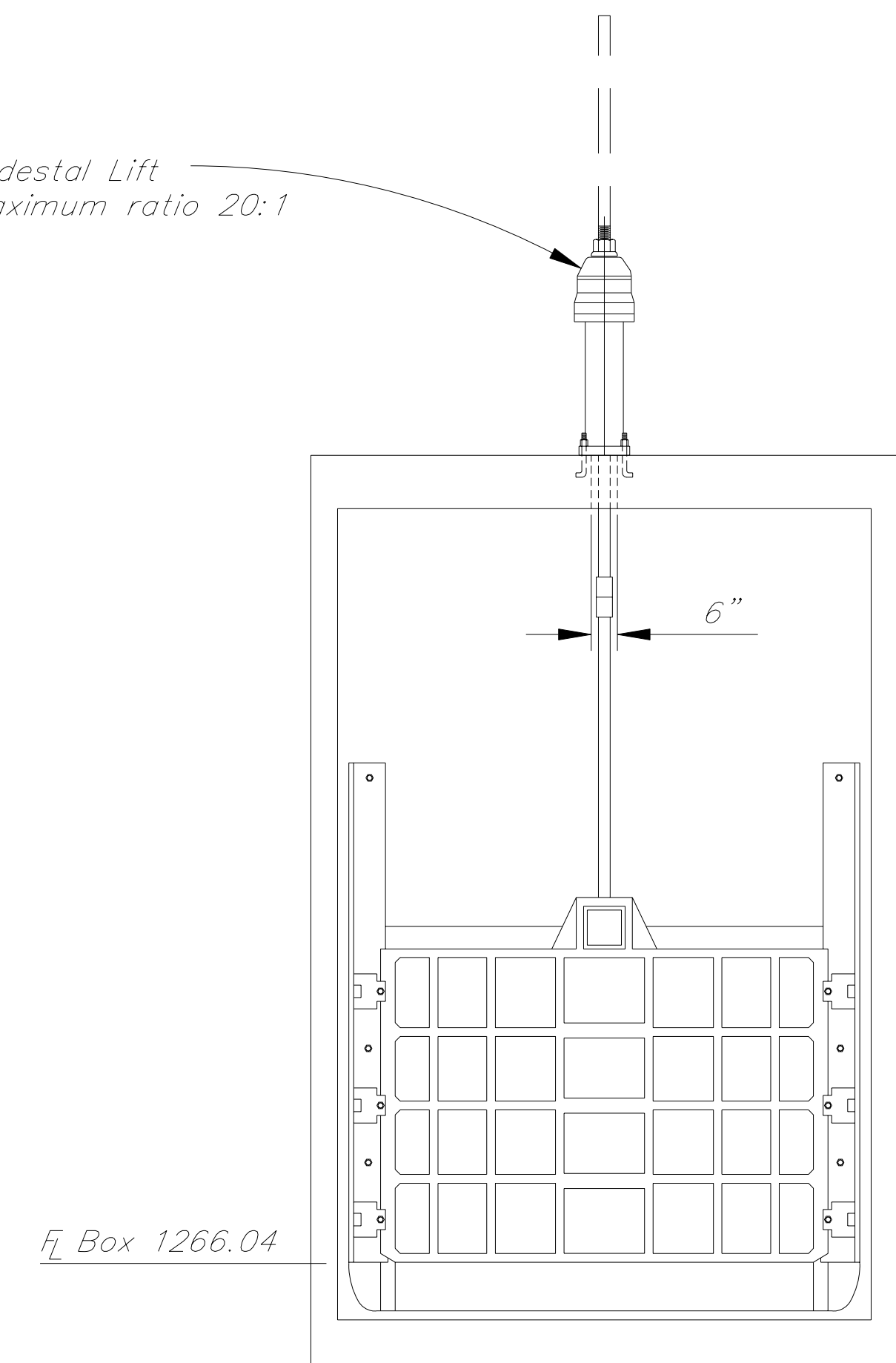
PLAN

Pedestal Lift with stem cover.
 Contractor shall provide locking mechanism as approved by Engineer. At a minimum, a chain with padlock through wheel. City shall furnish lock. Coordinate with:
 Doug Arvidson (268-4095)
 Storm Water Flood Control Supervisor
 City of Wichita



ELEVATION

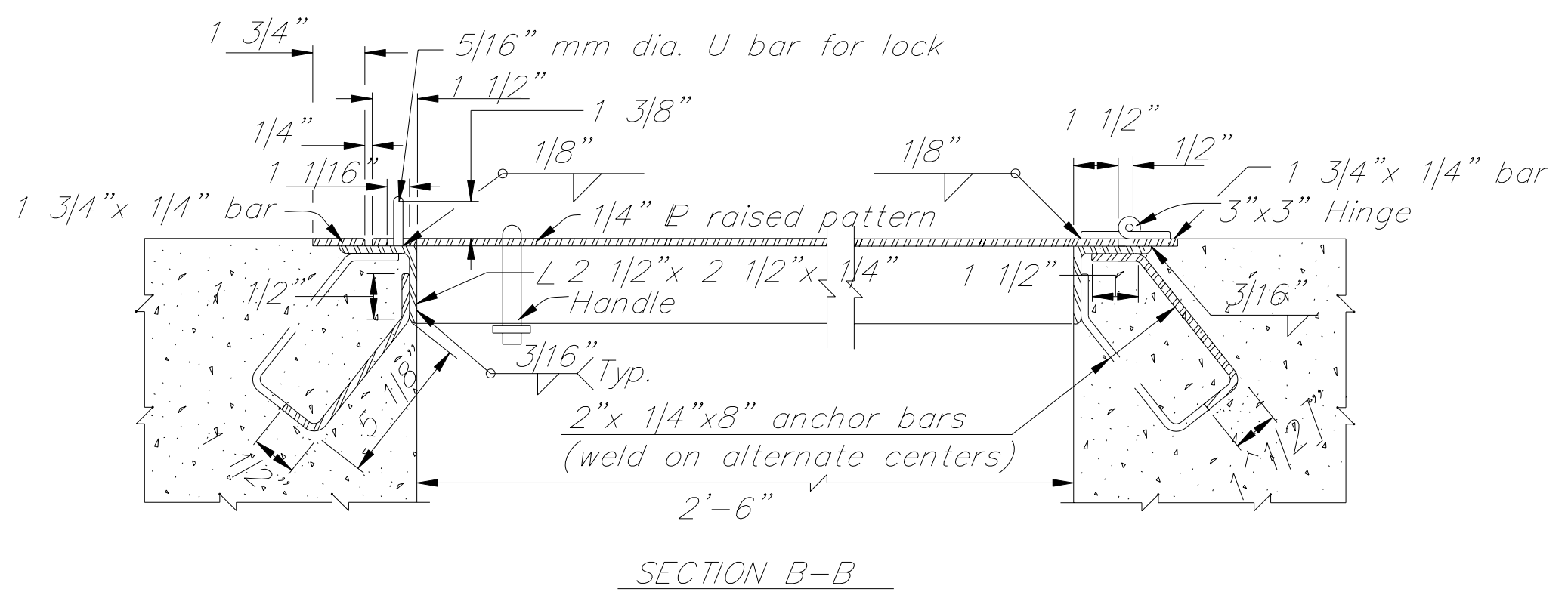
Pedestal Lift maximum ratio 20:1



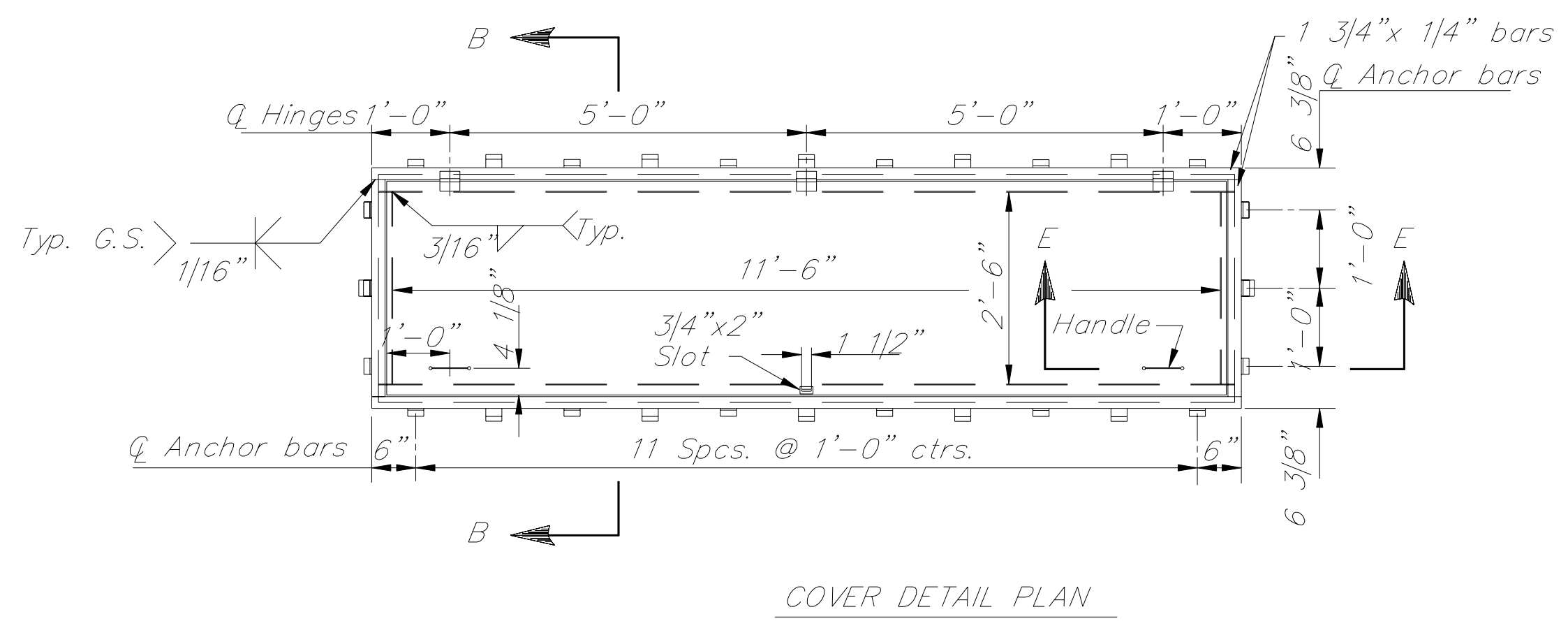
VIEW A-A

Note:

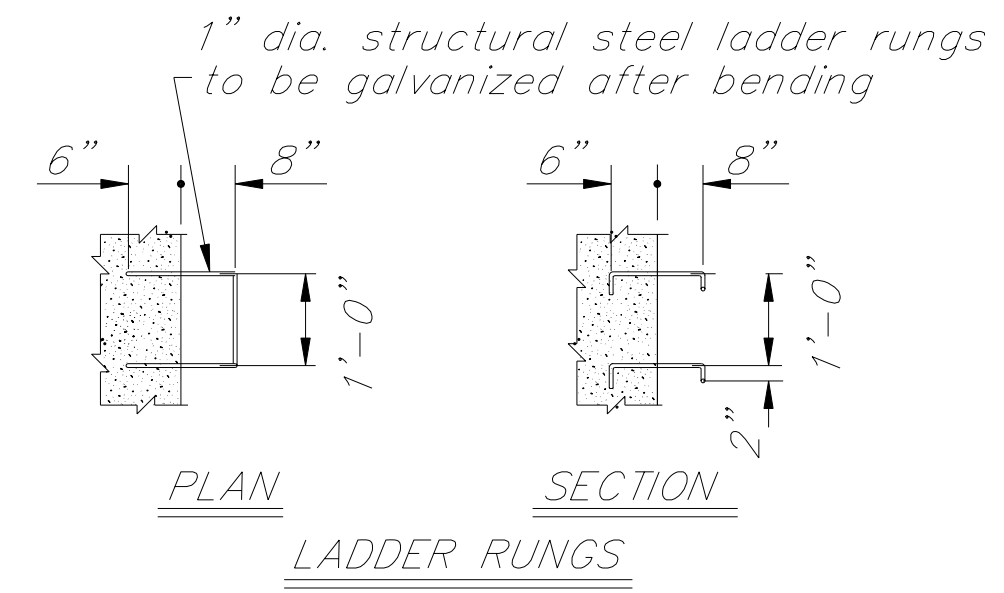
Contractor shall install two (2) stream gauges on project at locations (upstream & downstream of structure) approved by Engineer. At a minimum the gauges will read elevations from 1275 to 1282 with 6" numerals. Contractor shall submit details prior to installation. Stream gauge elevations will be checked/set by a licensed surveyor. All work pertaining to this item shall be Subsidiary to other items in the contract.



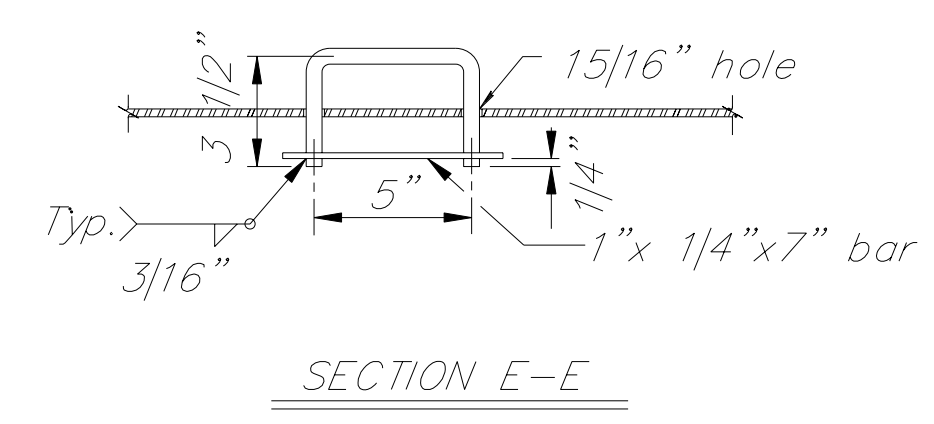
SECTION B-B



COVER DETAIL PLAN



LADDER RUNGS



SECTION E-E

See Contract Special Provisions for additional Requirements.
 See Sheet 23 for Sluice Gate Details II.
 See Sheet 17-21 for RCB details.

CITY OF WICHITA JAMES ARMOUR, P.E., CITY ENGINEER GYPSUM CREEK 10'x6' SLUICE GATE DETAILS I	
CITY OF WICHITA PROJECT NO. 468-82473	
SCALE	DATE: 10/31/2007
DWG: 32158A No.	

Note: Cover shall be Aluminum or Hot Dipped Galvanized.