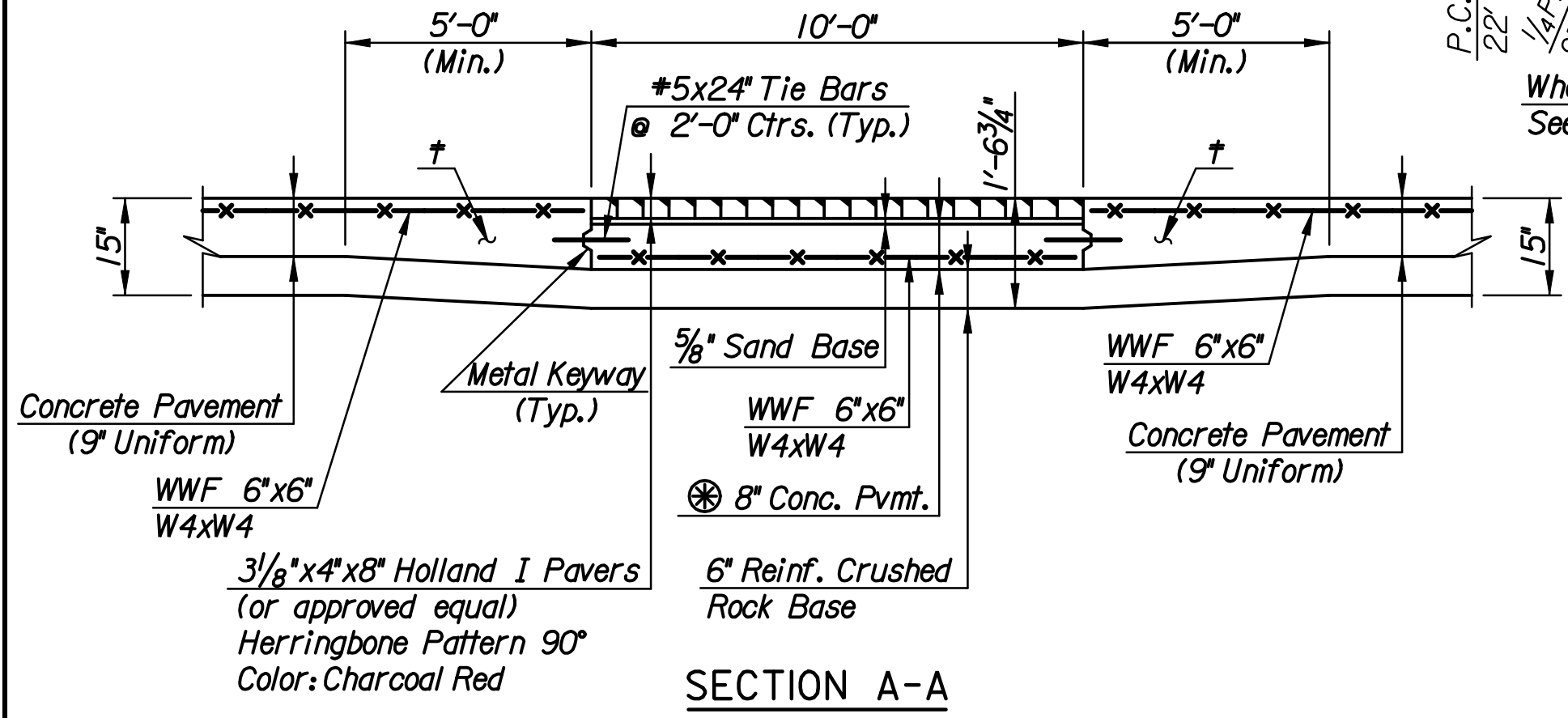
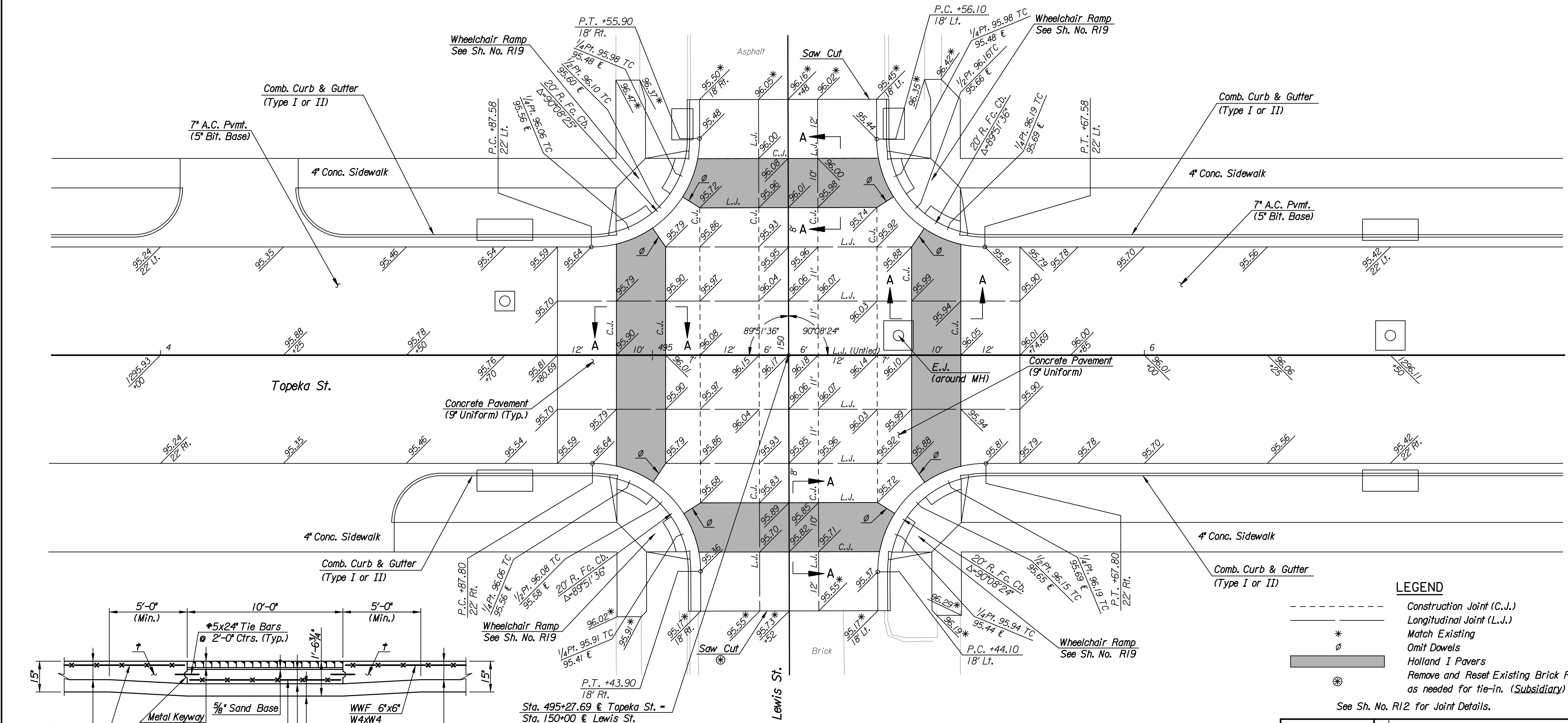


Scale: 1"=10'



SECTION A-A

- ⊗ 8" Concrete Pavement to be paid as "Concrete Pavement (9" Uniform)"
- † Additional Pavement Thickness shall be Subsidiary to "Concrete Pavement (9" Uniform)"

LEGEND

- Construction Joint (C.J.)
- - - Longitudinal Joint (L.J.)
- *
- ∅ Match Existing
- Omit Dowels
- Holland I Pavers
- ⊗ Remove and Reset Existing Brick Pavers as needed for tie-in. (Subsidiary)

See Sh. No. R12 for Joint Details.

Plotted By: svb Date: 2/26/2009 9:50:50 AM
 FILE: I:\2008\08457\Intersection\08457-Int-lewis.dgn

TOPEKA STREET		By	Date
INTERSECTION DETAIL TOPEKA AND LEWIS			
JAMES L. ARMOUR, P.E. - CITY ENGINEER CITY OF WICHITA PROJECT NO. 472-84745			
Professional Engineering Consultants, P.A. 303 S. TOPEKA • WICHITA, KANSAS 67202 316-262-2691 • FAX 316-262-3003			
Designed by	DRM	Job No.	08457
Drawn by	AKL	Date	Feb., 2009
			Sht. R11 of R52