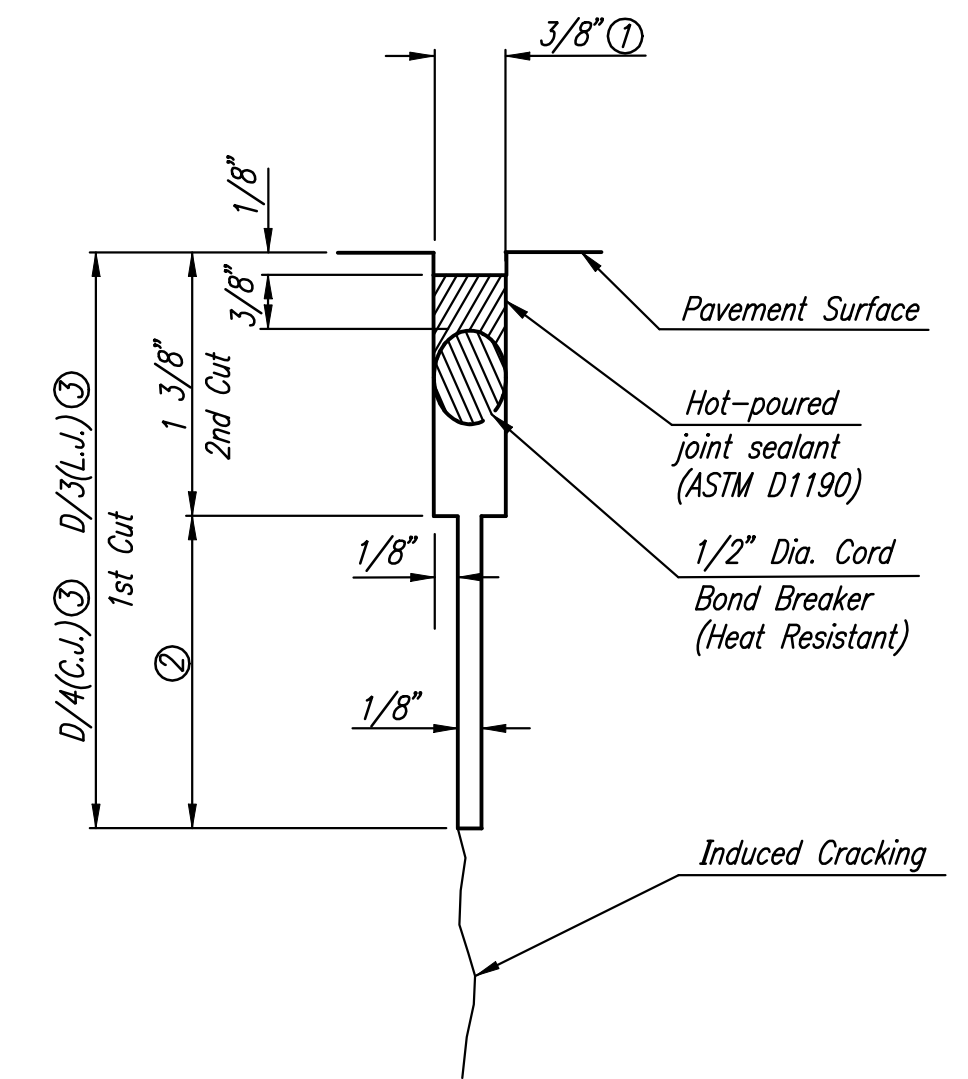


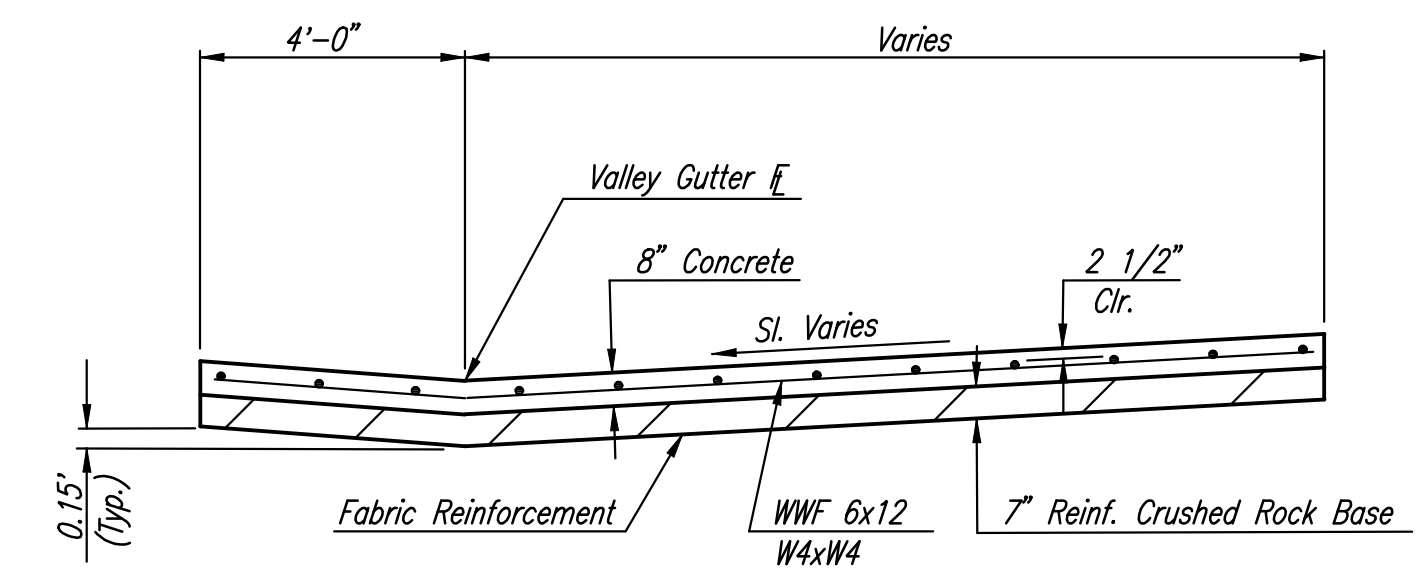
WING REINFORCING DETAIL

NOTE: OMIT WIRE FABRIC REINFORCING IN THIS SECTION.



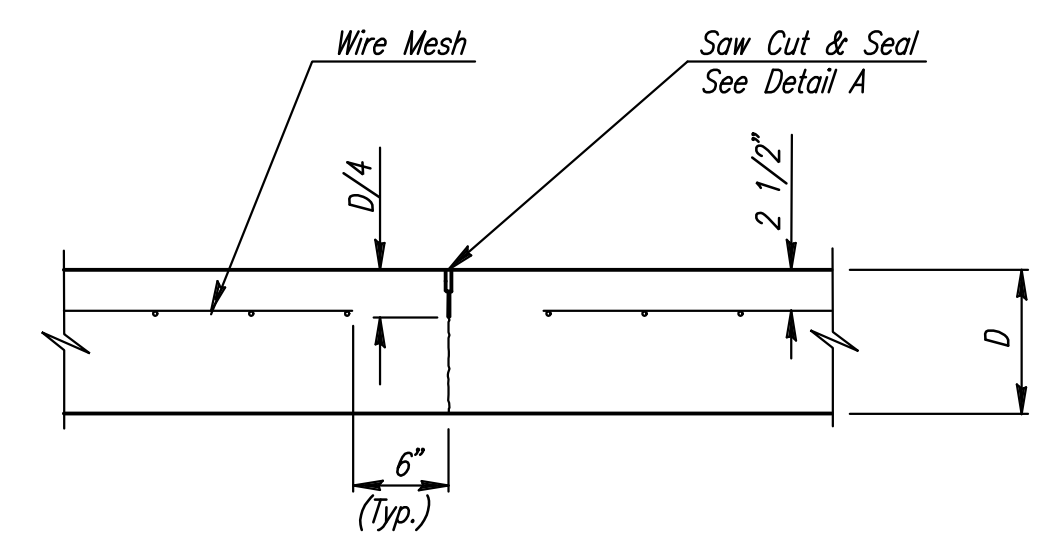
DETAIL A

- ① To be accomplished in 2 cuts for Longitudinal Joints and Contraction Joints. Initial cut to be 1/8" wide.
- ② Eliminate bottom of cut when metal keyway is used as part of Longitudinal or Transverse Construction Joint and at Doweled Construction Joint Locations.
- ③ 1 1/2" Minimum

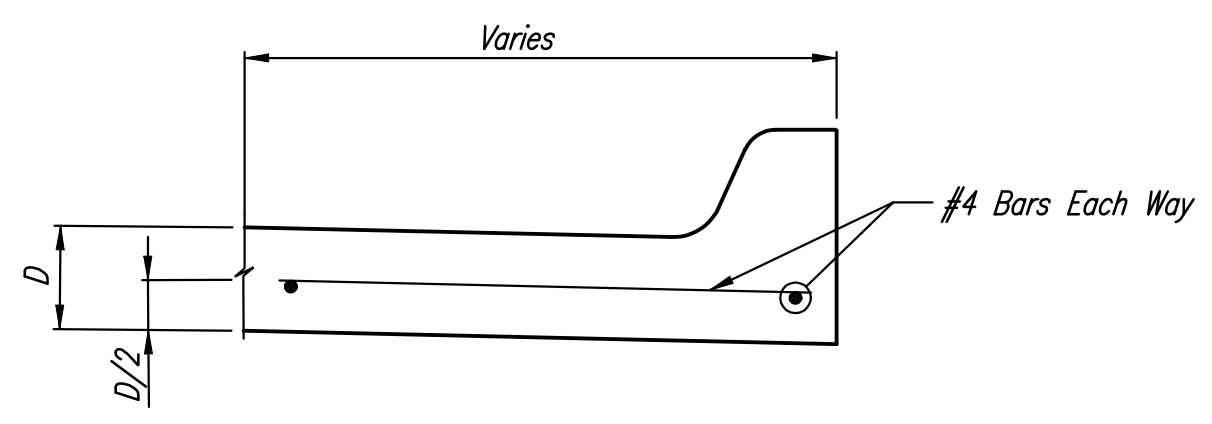


SECTION A-A

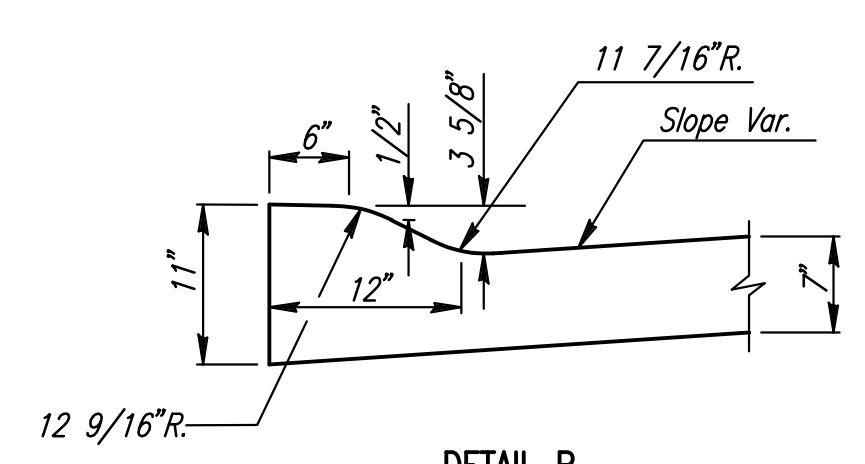
NOTE: OMIT REINFORCING MESH AT ALL JOINTS  
 NOTE: ALL CONCRETE VALLEY GUTTER REINFORCEMENT SHALL BE ADEQUATELY SUPPORTED BY BAR CHAIRS IN THE REQUIRED POSITION UNLESS APPROVED OTHERWISE BY THE ENGINEER.



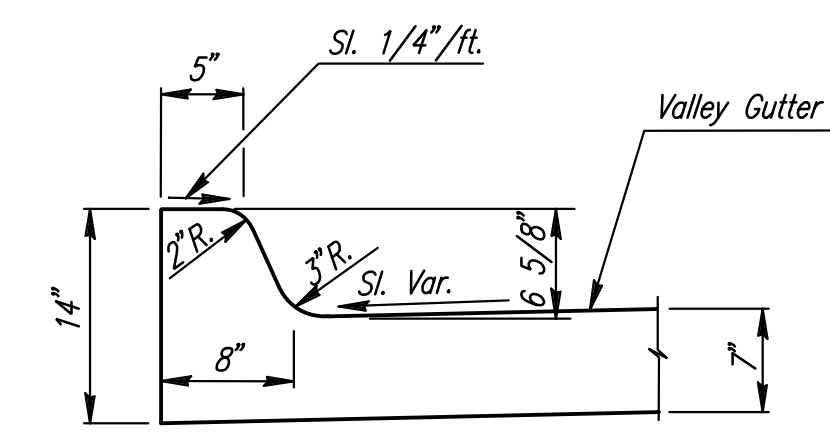
CONTRACTION JOINT DETAIL  
 REINFORCED PAVEMENT  
 (C.J.)



SECTION C-C



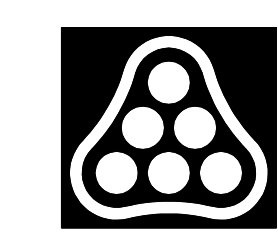
DETAIL B  
 (ROLL-TYPE CURB)(3 5/8")



DETAIL C  
 (STANDARD CURB)(6 5/8")

MONOLITHIC EDGE CURB

DSNR: I:/2008/08457/STANDARDS/08457-VALGUTDL.DGN 1-26-2009 LAST REV: BY: OPER: SVB SCALE:



No.	Revision	By	Date
<b>TOPEKA STREET</b> <b>VALLEY GUTTER DETAILS</b> JAMES L. ARMOUR, P.E.—CITY ENGINEER CITY OF WICHITA PROJECT NO. 472-84745 <b>Professional Engineering Consultants, P.A.</b> 303 S. TOPEKA • WICHITA, KANSAS 67202 316-262-2691 • FAX 316-262-3003			
Designed by	Job No.	08457	
Drawn by	Date	February, 2009	
			Sht. R17 of R52