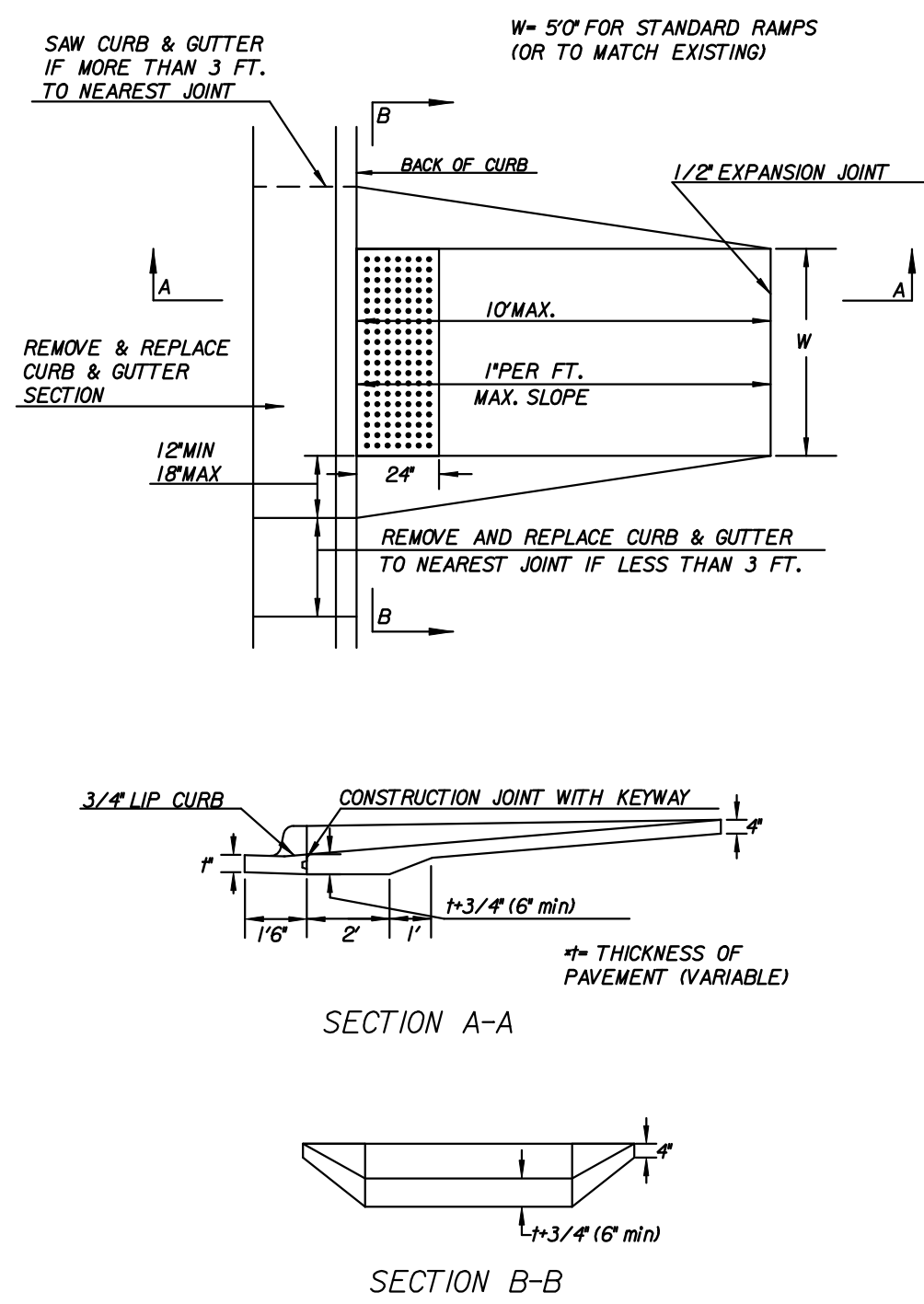
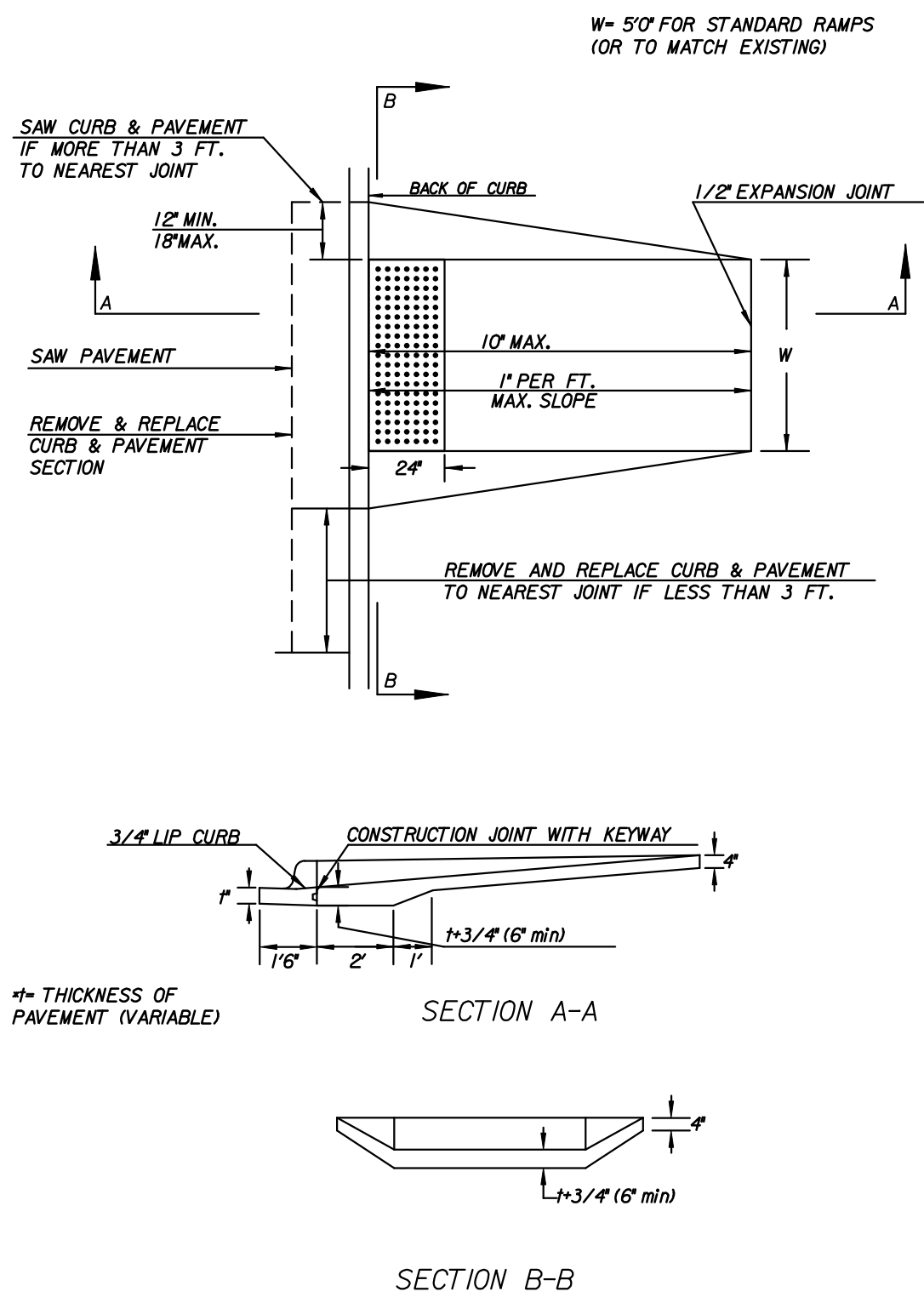


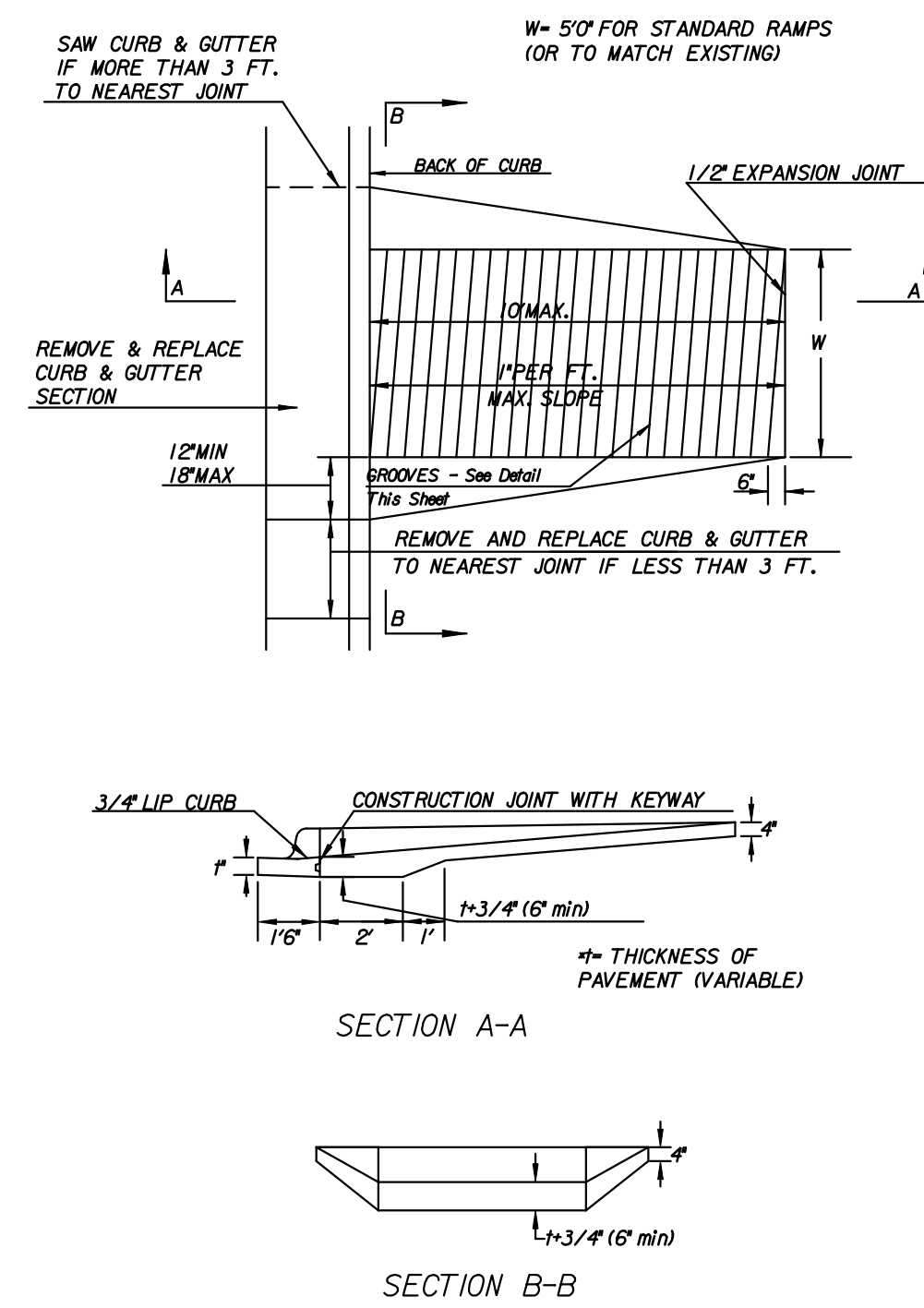
**STANDARD WHEELCHAIR RAMP CONSTRUCTION DETAIL FOR STREETS WITH COMBINED CURB & GUTTER (CLASS A)**



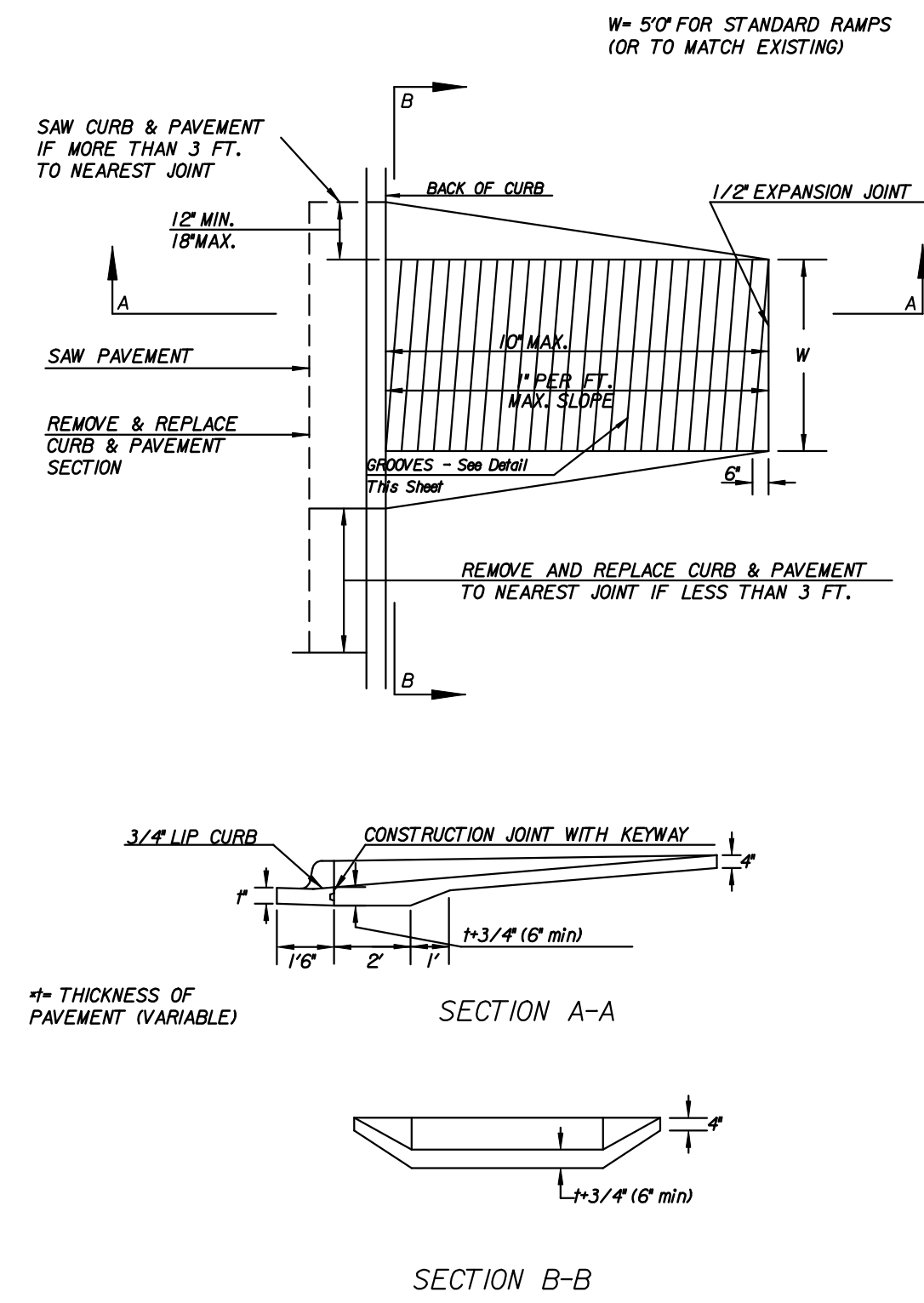
**STANDARD WHEELCHAIR RAMP CONSTRUCTION DETAIL FOR CONCRETE STREETS WITH MONOLITHIC CURB (CLASS A)**



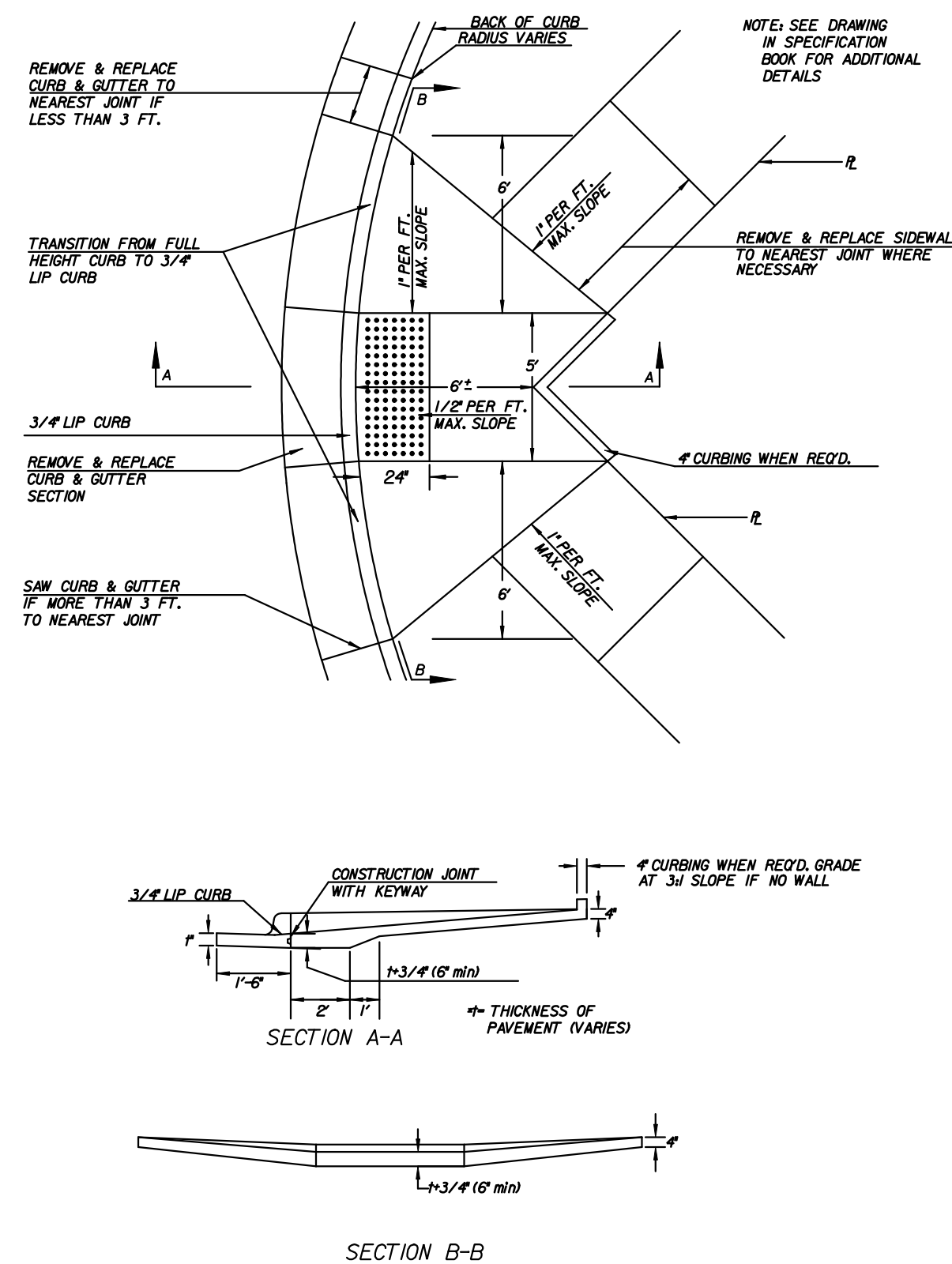
**STANDARD WHEELCHAIR RAMP CONSTRUCTION DETAIL FOR ENTRANCES WITH COMBINED CURB & GUTTER (CLASS B)**



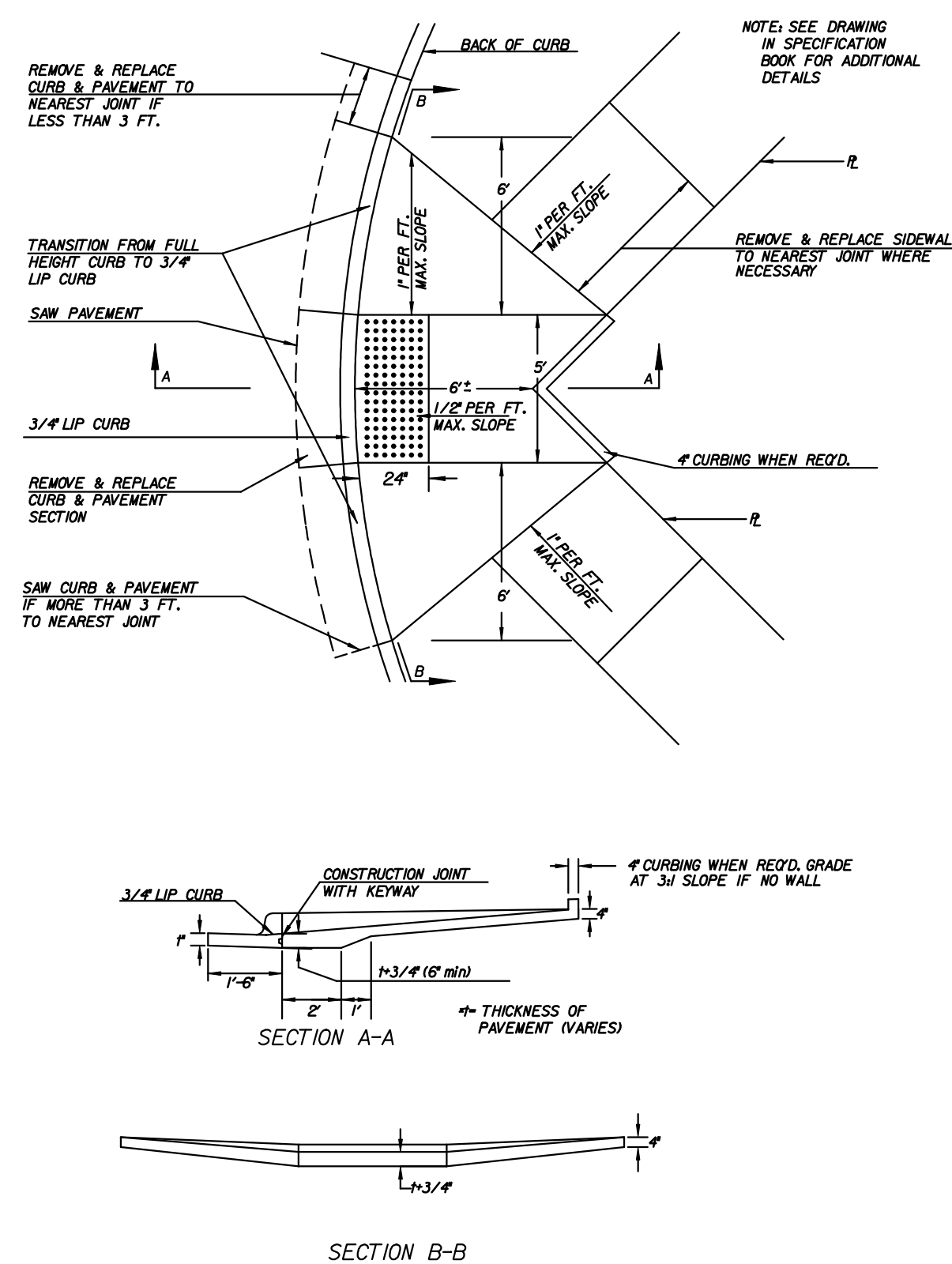
**STANDARD WHEELCHAIR RAMP CONSTRUCTION DETAIL FOR ENTRANCES WITH MONOLITHIC CURB (CLASS B)**



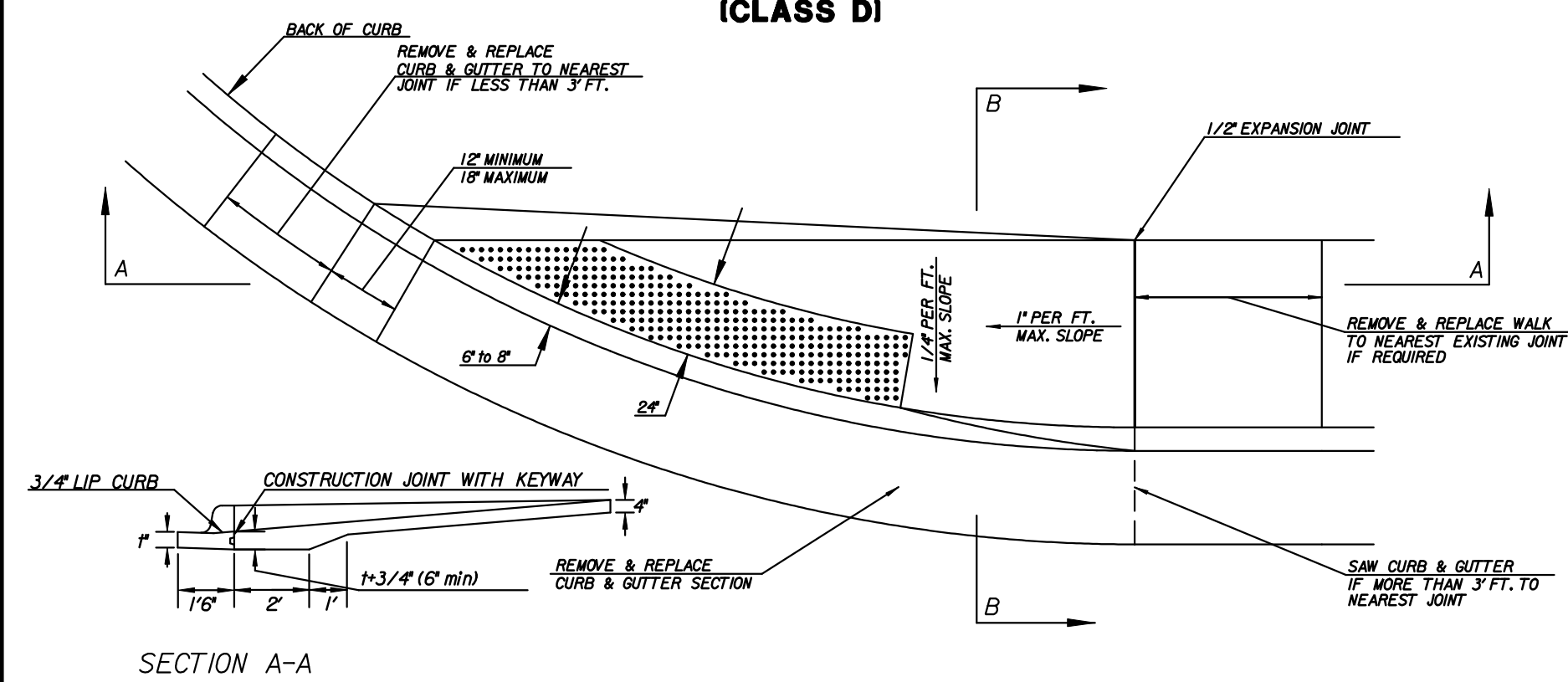
**STANDARD WHEELCHAIR RAMP CONSTRUCTION DETAIL FOR STREET WITH COMBINED CURB AND GUTTER ON RADIUS WITH 6'± FROM BACK OF CURB TO PROPERTY CORNER (CLASS C)**



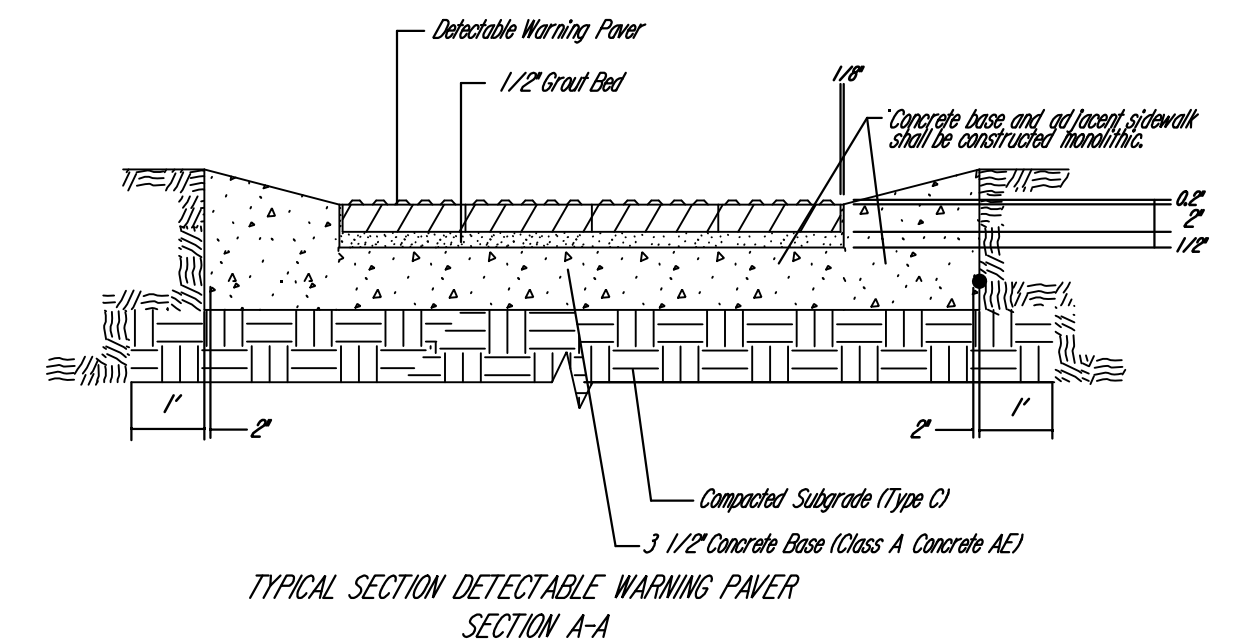
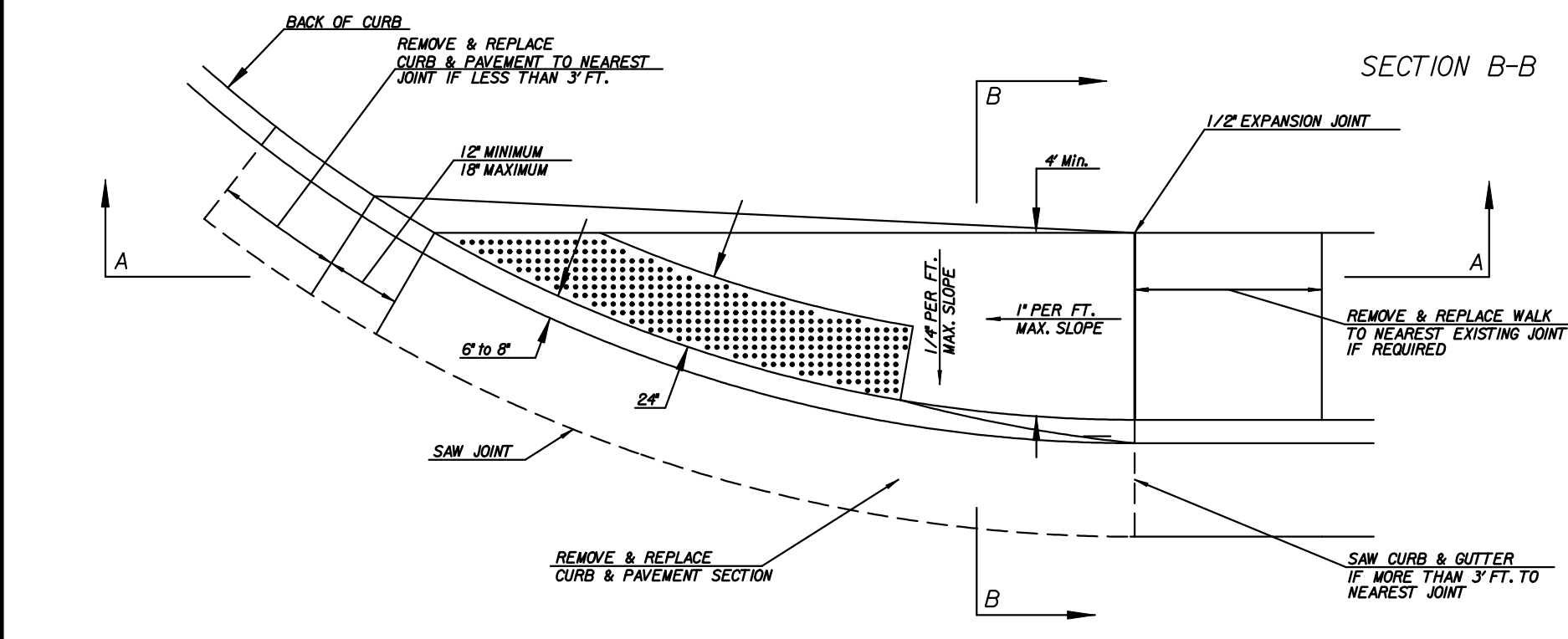
**STANDARD WHEELCHAIR RAMP CONSTRUCTION DETAIL FOR STREET WITH MONOLITHIC CURB ON RADIUS WITH 6'± FROM BACK OF CURB TO PROPERTY CORNER (CLASS C)**



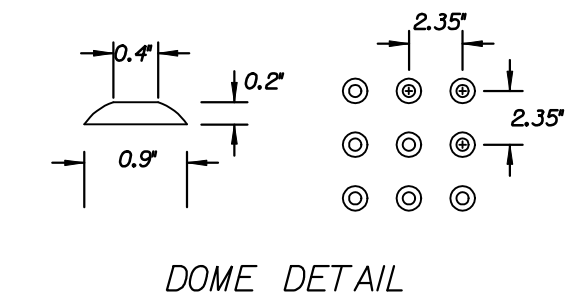
**STANDARD WHEELCHAIR RAMP CONSTRUCTION DETAIL FOR STREETS WITH COMBINED CURB & GUTTER WITH ONE FULL SIDEWALK (CLASS D)**



**STANDARD WHEELCHAIR RAMP CONSTRUCTION DETAIL FOR STREETS WITH MONOLITHIC CURB WITH ONE FULL SIDEWALK (TYPE D)**



NOTE: HOWEVER DETECTABLE WARNING PAVERS (OR AN APPROVED ALTERNATE) SHALL BE USED IN ALL WHEELCHAIR RAMPS. THE 11 3/4" RED 15" PAVER SHALL BE USED IN ALL APPLICATIONS.  
HANOVER ARCHITECTURAL PRODUCTS  
240 BENDER ROAD  
HANOVER, PA 17331  
1-717-631-0500  
www.hanoverpavers.com



DOME DETAIL

DSMR: COW OPER: SVB SCALE: 1-26-2009 svb PLOTTED: 1-26-2009 svb Standard/08457-WCR with Detectable Warning.dgn



<b>WHEELCHAIR RAMP DETAILS</b>		
CITY ENGINEER <b>JAMES L. ARMOUR, P.E., L.S.</b>		
PROJECT NUMBER 472-84745	QA NUMBER	DATE 07/03
CITY ENGINEER'S OFFICE CITY HALL - SEVENTH FLOOR 455 NORTH MAIN STREET WICHITA, KANSAS 67202-1620 (316) 268-4501 (316) 268-4114 FAX	DESIGN City	DRAWN City
		SHEET <b>R18 OF R52</b>

REV. 7-21-03