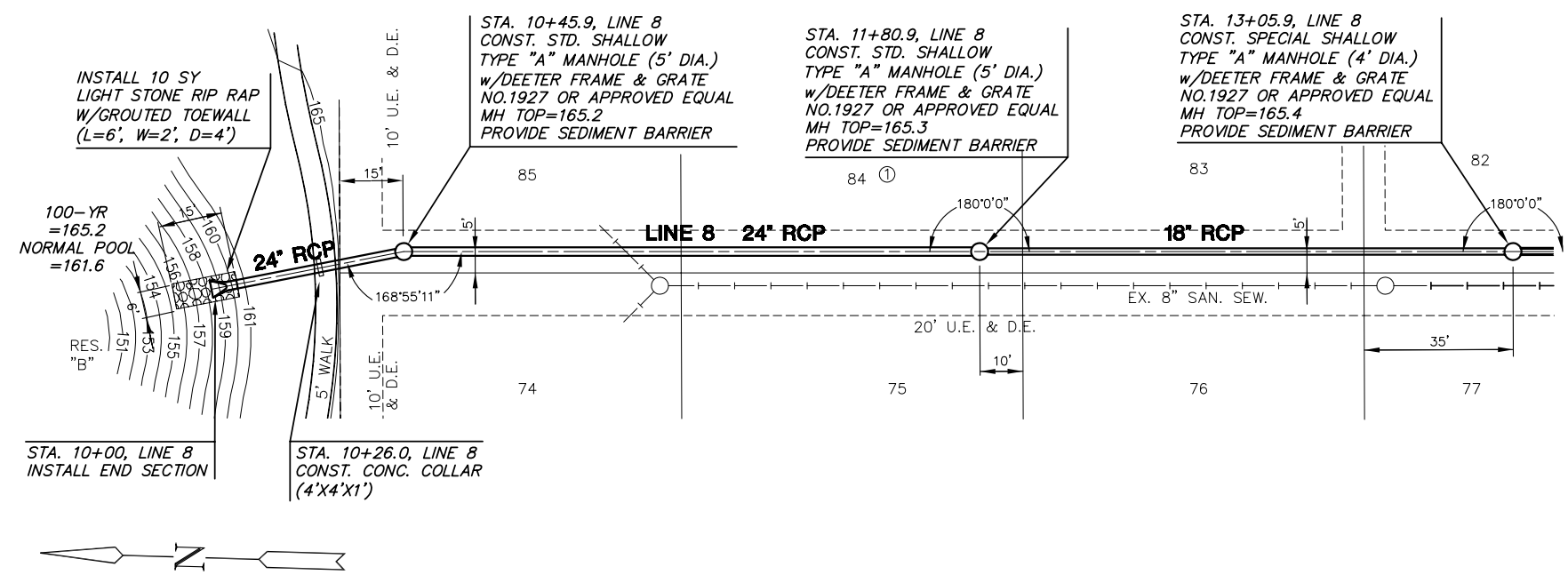


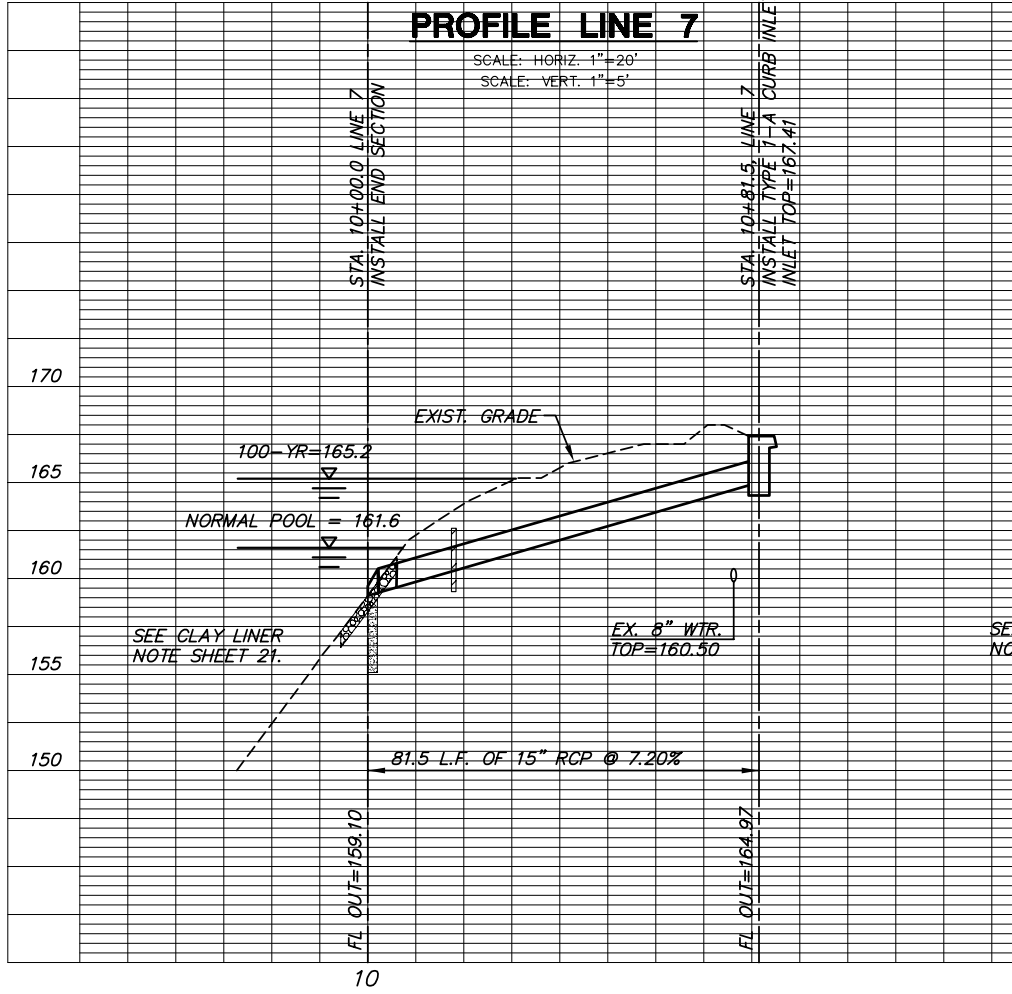
PLAN LINE 7



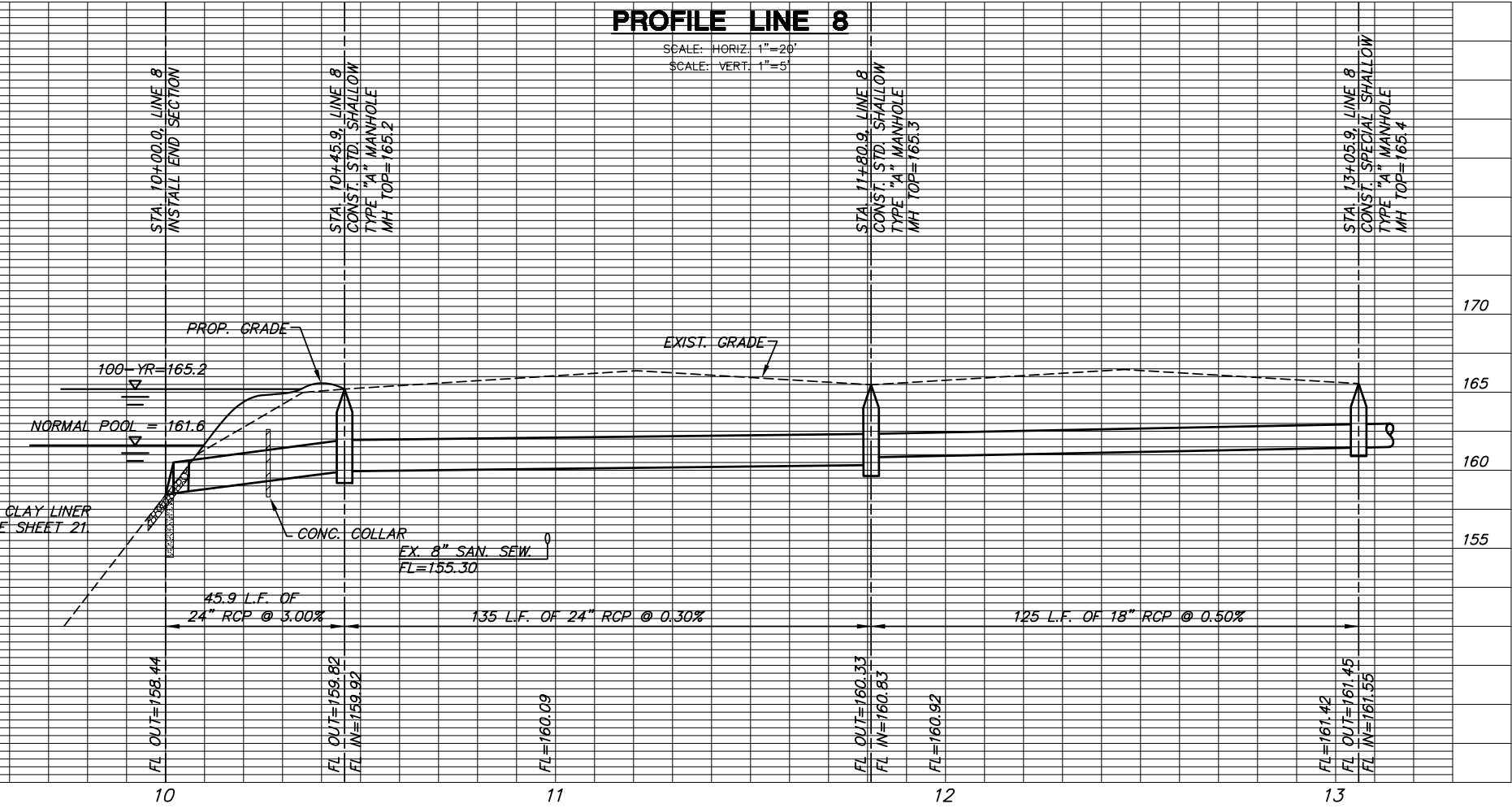
PLAN LINE 8

NOTE
RIPRAP SHALL BE INSTALLED ACCORDING TO STD SPEC WITH TOE WALLS ON ALL UNPROTECTED EDGES. THE TOE WALL SHOWN ON THE PLANS SHALL BE IN ADDITION TO THE STD SPEC.

PROFILE LINE 7



PROFILE LINE 8



PLOTTER: Wednesday, September 13, 2006 12:09PM

G:\CIVIL\99118\dwg\SW5\PH_12\99118D05.dwg

© COPYRIGHT