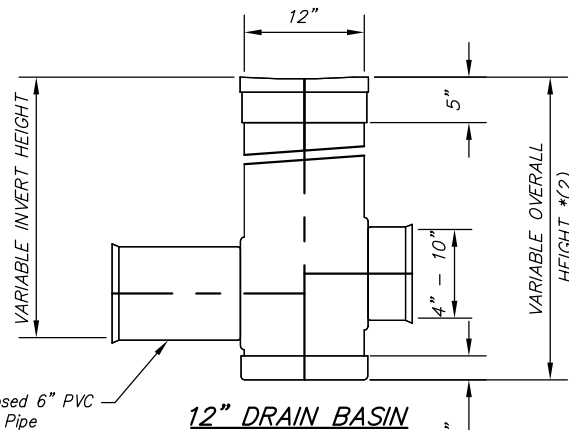


**SECTION B-B**  
**PIPE CONNECTION DETAIL**

Contractor to remove section from existing (or proposed structure) and patch around pipe.

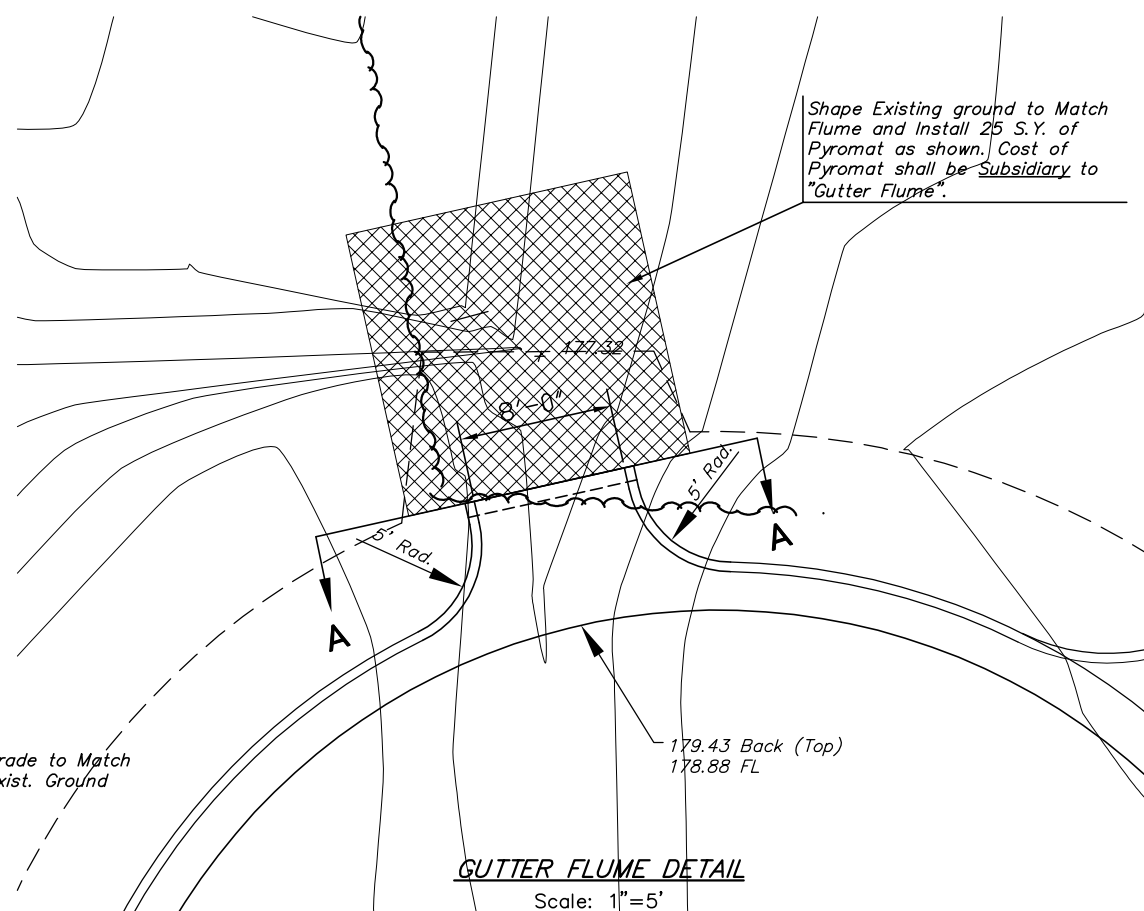
NOTE: A hole shall be made through existing structures as shown to accommodate pipe connections. Round holes are acceptable. Clean gravel and filter fabric around pipe will not be required around concrete storm sewer pipe.



Proposed 6" PVC Drain Pipe

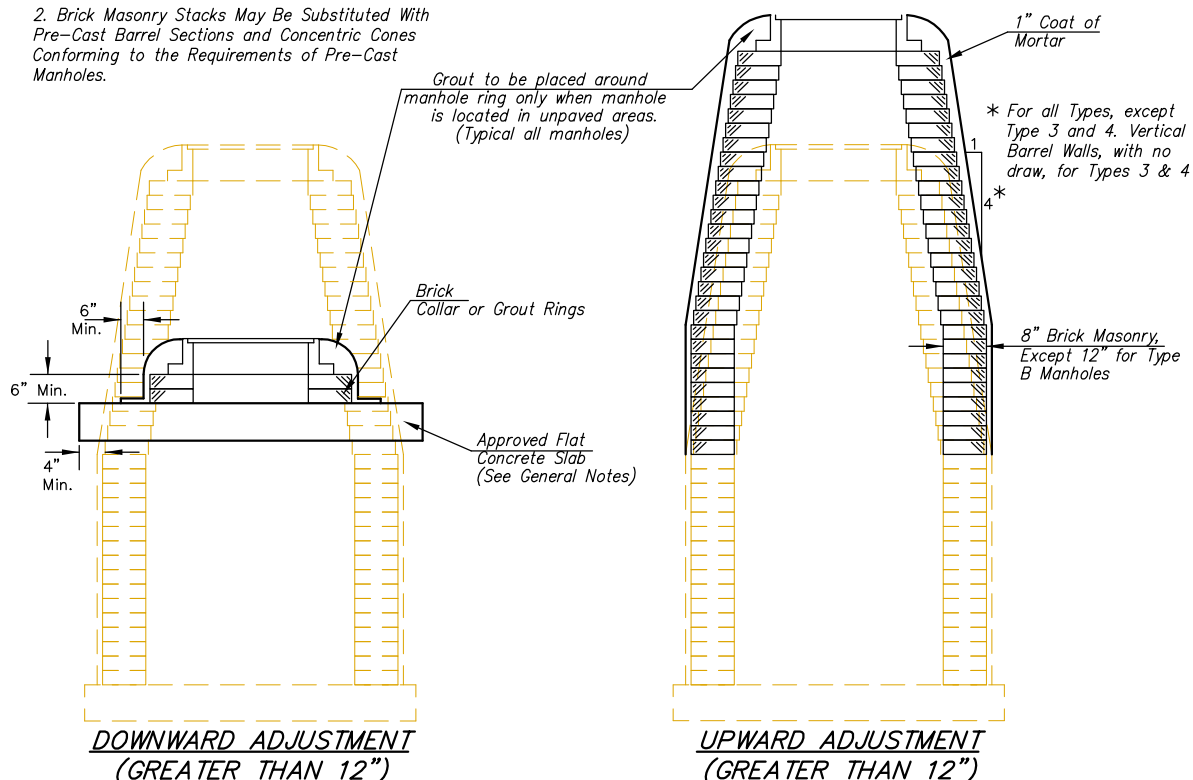
**12" DRAIN BASIN**

Backfill Material shall be Crushed Stone or Gravel material meeting Class 1 or 2 as specified in ASTM D2321. Backfill Material shall be placed uniformly in 12" lifts and compacted.



NOTES:  
1. Adjustments Less Than 12" Shall Be Achieved By Adding Or Removing The Required Thicknesses Of Brick And/or Grout Rings.

2. Brick Masonry Stacks May Be Substituted With Pre-Cast Barrel Sections and Concentric Cones Conforming to the Requirements of Pre-Cast Manholes.

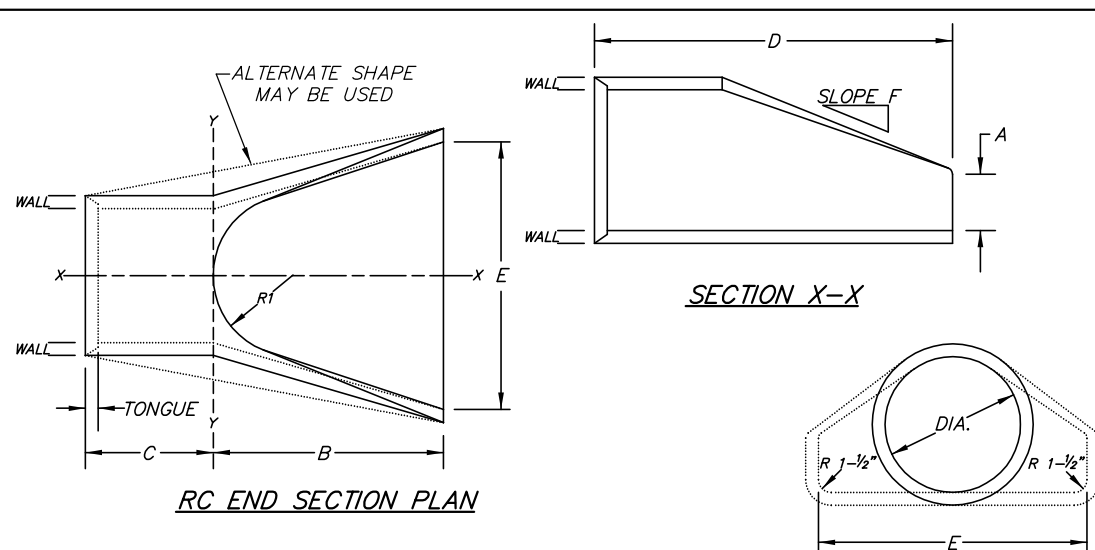


**MANHOLE ADJUSTMENTS**

All Types  
The Appropriate Portions Of The Draw And Barrel Of Type A, B, C, D, 1 And 2 Manholes Shall Be Removed, The Manhole Barrel Raised The Appropriate Amount, A New Draw Constructed, And The Ring And Cover Re-Set. The Upper Portion Of Type 3 Manholes Shall Be Removed To The Bottom Of The Flat Concrete Slab, The Brick Masonry Barrel Supporting The Slab Shall Be Raised The Appropriate Amount, And The Slab And Ring And Cover Reset. The Wide Flange Ring And Cover Of Type 4 Manholes Shall Be Removed, The Brick Masonry Barrel Supporting The Ring Shall Be Raised The Appropriate Amount And The Ring And Cover Reset. All Work Required For A Greater Than Twelve Inch (12") Upward Adjustment Of Any Manhole Shall Be Accomplished With Brick Masonry In Accordance With The Details Shown And The General Notes.

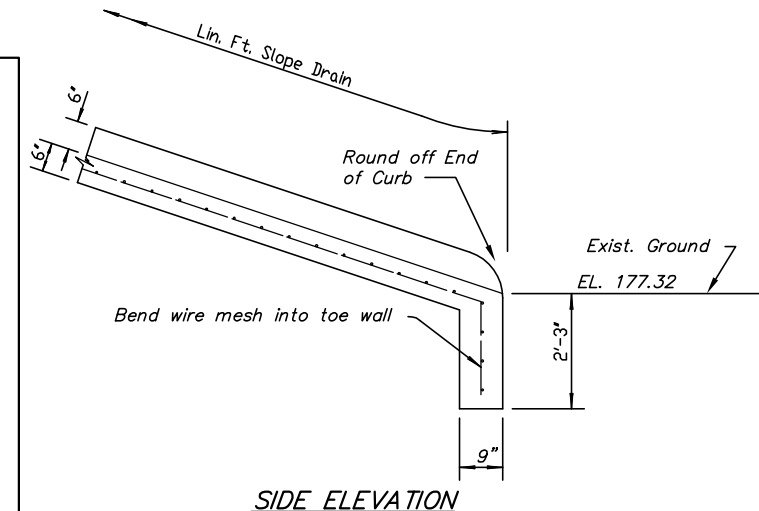
All Types  
The Entire Draw Of Types A, B, C, D, 1 And 2 Manholes Shall Be Removed, The Manhole Barrel Raised The Appropriate Amount, A New Draw Constructed, And The Ring And Cover Re-Set. The Upper Portion Of Type 3 Manholes Shall Be Removed To The Bottom Of The Flat Concrete Slab, The Brick Masonry Barrel Supporting The Slab Shall Be Raised The Appropriate Amount, And The Slab And Ring And Cover Reset. The Wide Flange Ring And Cover Of Type 4 Manholes Shall Be Removed, The Brick Masonry Barrel Supporting The Ring Shall Be Raised The Appropriate Amount And The Ring And Cover Reset. All Work Required For A Greater Than Twelve Inch (12") Upward Adjustment Of Any Manhole Shall Be Accomplished With Brick Masonry In Accordance With The Details Shown And The General Notes.

**SECTION A-A**



DIAM.	A	B	C	D	E	F	R1	TONGUE	WALL
12"	4"	2' 0"	4' 0-7/8"	6' 0-7/8"	2' 0"	3:1	9"	1-1/2"	2"
15"	6"	2' 3"	3' 10"	6' 1"	2' 6"	3:1	11"	2"	2 1/4"
18"	9"	2' 3"	3' 10"	6' 1"	3' 0"	3:1	12"	2-1/2"	2 1/2"
24"	9-1/2"	3' 7-1/2"	2' 6"	6' 1-1/2"	4' 0"	3:1	14"	2-1/2"	3"
30"	1' 0"	4' 6"	1' 7-3/4"	6' 1-3/4"	5' 0"	3:1	15"	3"	3-1/2"
36"	1' 3"	5' 3"	1' 10-3/4"	8' 1-3/4"	6' 0"	3:1	20"	3-1/2"	4"
42"	1' 9"	5' 3"	2'-11"	8' 2"	6' 6"	3:1	22"	3-3/4"	4-1/2"
48"	2' 0"	6' 0"	2' 2"	8' 2"	7' 0"	3:1	22"	4-1/4"	5"
54"	2' 3"	5' 5"	2' 11"	8' 4"	7' 6"	3:1	24"	4-3/4"	5-1/2"
60"	2' 6"	5' 0"	3' 3"	8' 3"	8' 0"	2.4:1	24"	5"	6"
66"	2' 0"	6' 6"	1' 9"	8' 3"	8' 6"	2:1	24"	5-1/2"	7"
72"	2' 0"	6' 6"	1' 9"	8' 3"	9' 0"	2:1	24"	6"	7-1/2"

TONGUE LENGTHS BASED ON QUINN STANDARD



J:\Civil\06656\dwg\Details\06656-MISC.dwg 11/30/2006 03:19:18 PM CST



**BROOKSIDE PARKWAY**  
**PAVING IMPROVEMENTS**

**MISCELLANEOUS DETAILS**

JRA DESIGN BY: JSB DRAWN BY: JRA CHECKED BY:  
411 N. WEBB ROAD WICHITA, KS. 67206 316-684-9600  
JAN. 2007 DATE 06656 JOB NO. 10 / 23 SHEET/OF