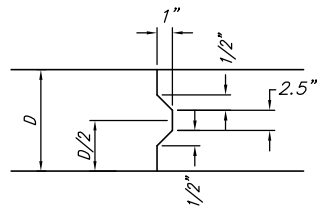
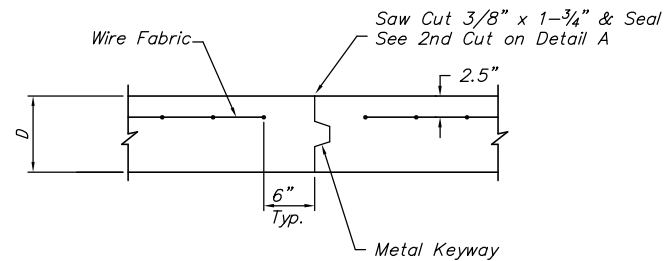


**EXPANSION JOINT**

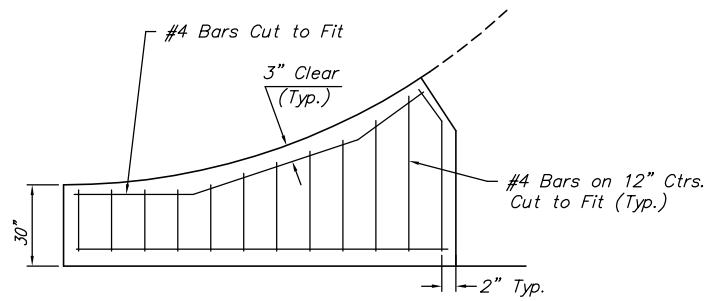
NOTE: Extra Thickness to be Subsidiary to Price of Square Yards Pavement



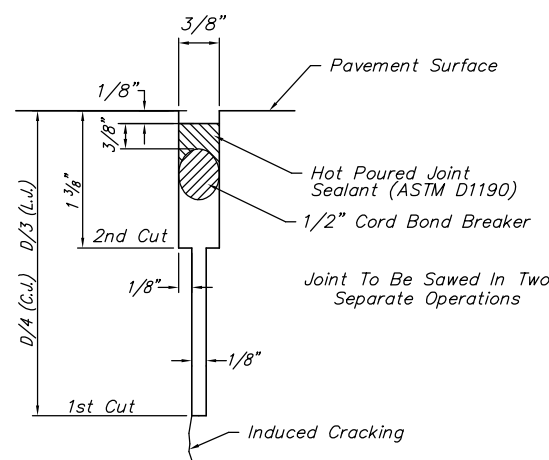
**KEYWAY DETAIL**



**OPTIONAL CONTRACTION JOINT**

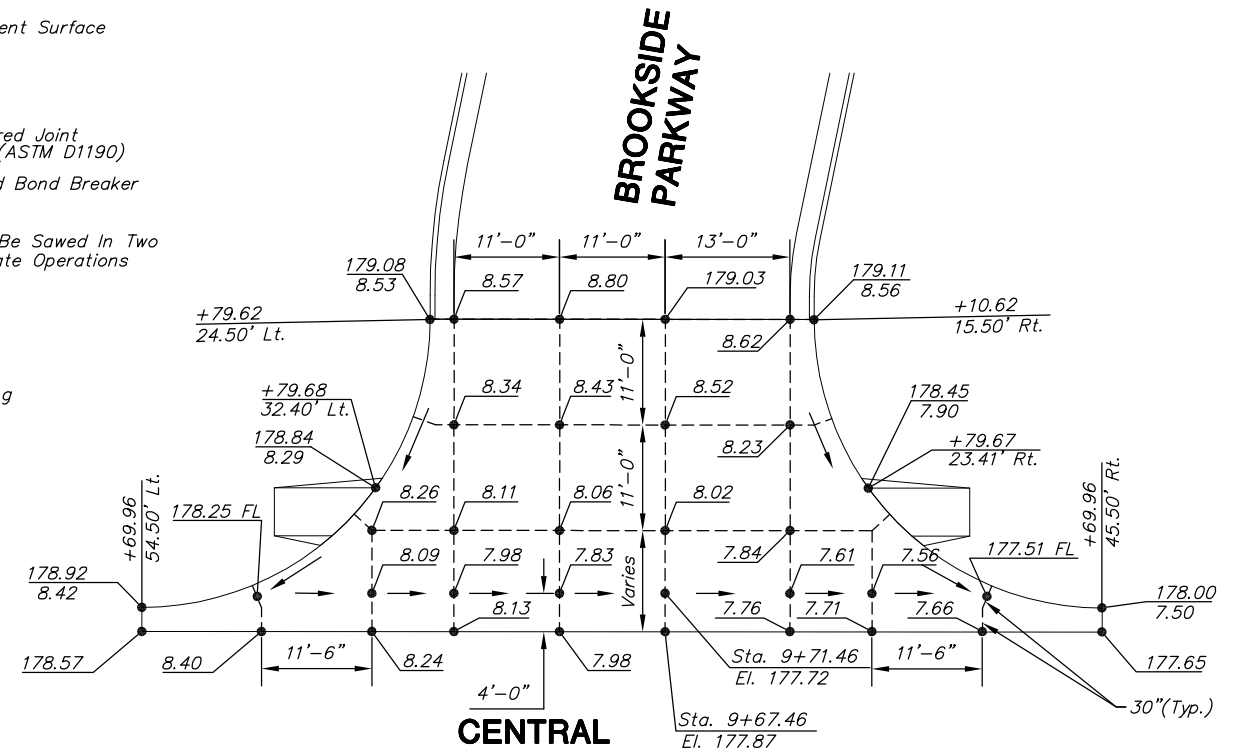


**WING REINFORCING DETAIL**



**SAW JOINT DETAIL**

D = 8"



**CENTRAL**

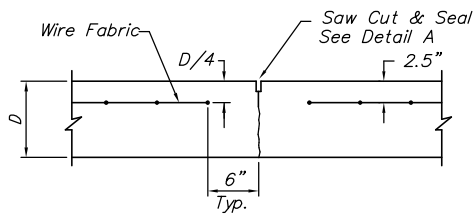
**INTERSECTION DETAIL (FOR INFORMATION ONLY)**

Scale: 1"=10'

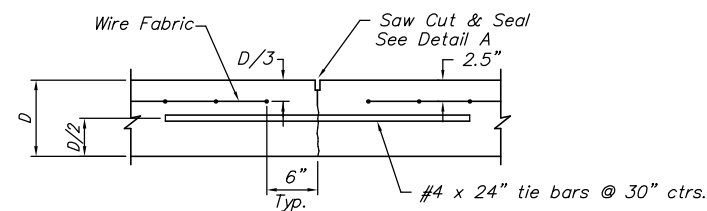
NOTE: Contractor shall verify elevations along Central Ave prior to construction.

**LEGEND**

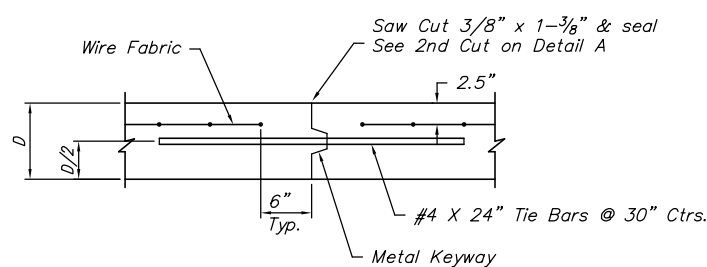
- Sawed Joint
- > Valley Gutter Flow Location
- 193.51 Spot Elevation
- 193.55 Back of Curb Elev. (Full-Height) Flow Line Elev.



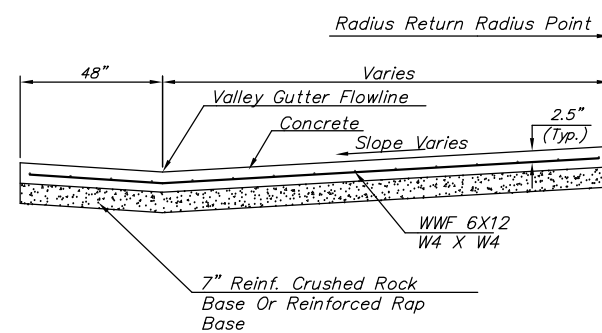
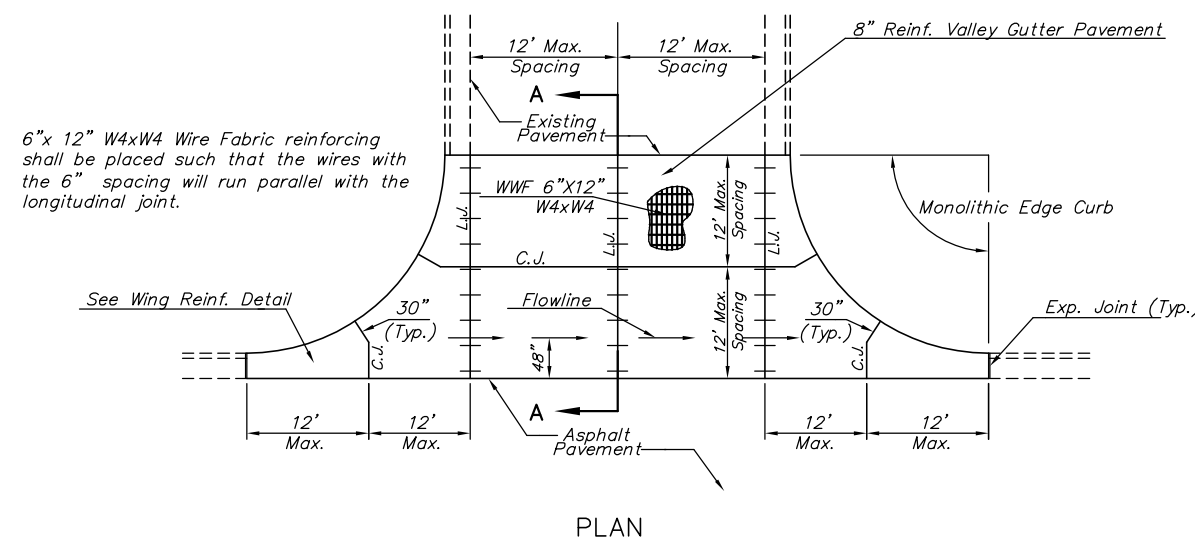
**CONTRACTION JOINT DETAIL (C.J.)**



**LONGITUDINAL JOINT DETAIL (L.J.)**



**OPTIONAL LONGITUDINAL JOINT DETAIL (L.J.)**



**REINFORCED VALLEY GUTTER DETAIL (FOR INFORMATION ONLY)**

J:\Civil\06656\dwg\Pav\06656-VG.dwg 11/30/2006 10:48:29 AM CST



**BROOKSIDE PARKWAY PAVING IMPROVEMENTS**  
PROJECT NAME

**VALLEY GUTTER PLAN AND DETAILS**  
SHEET TITLE

JRA DESIGN BY.	JSB DRAWN BY.	JRA CHECKED BY.
JAN. 2007 DATE	06656 JOB NO.	5 / 23 SHEET/OF