

(Min. 16 Perforations Per Lin. Ft. @ 1/4" Dia.)
Perforations To Be on Bottom Half

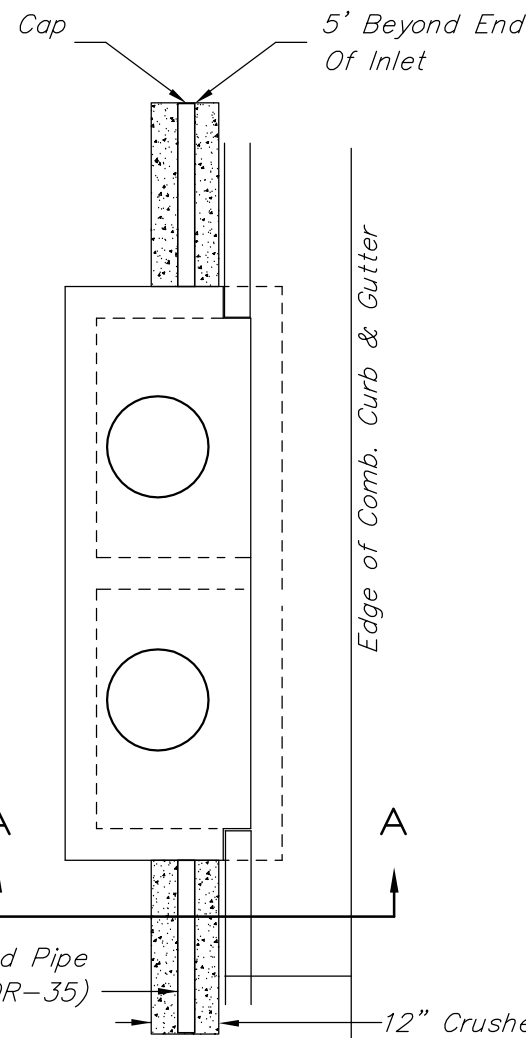
SECTION A-A

CRUSHED ROCK UNDERDRAIN AGGREGATE GRADATION REQUIREMENTS

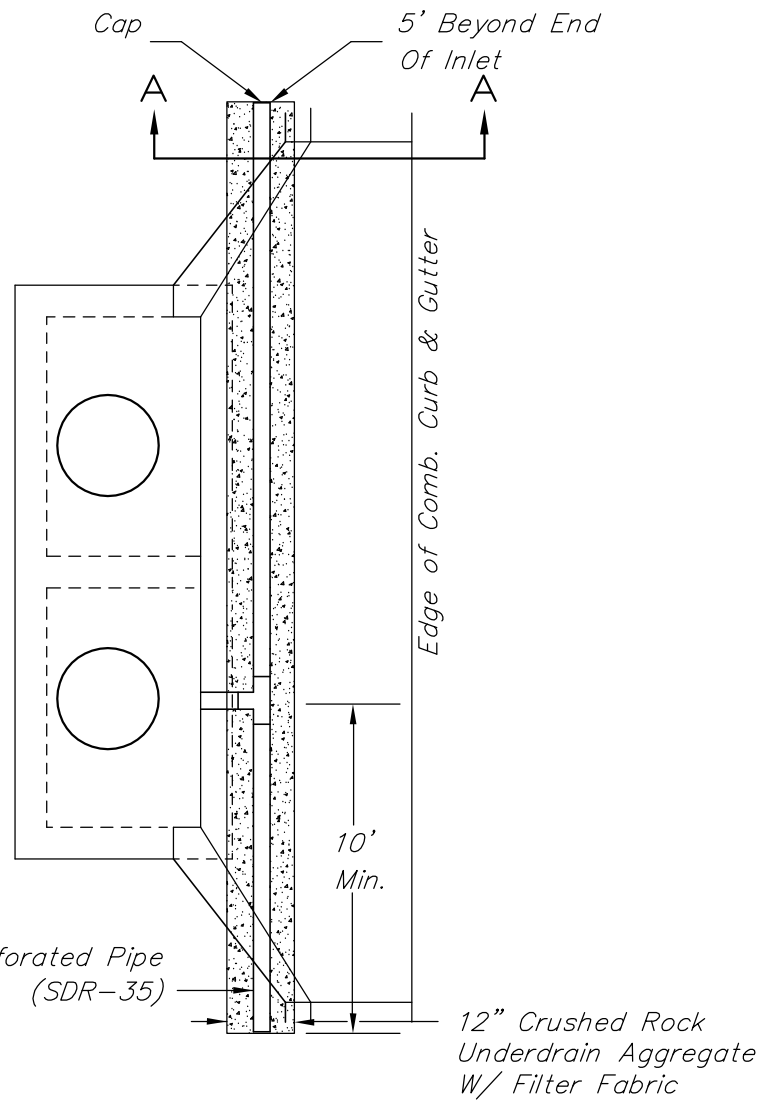
Percent of Aggregate Retained

1 1/2"	0
3/4"	15-60
# 4	40-80
#40	74-92
P-200	4-12

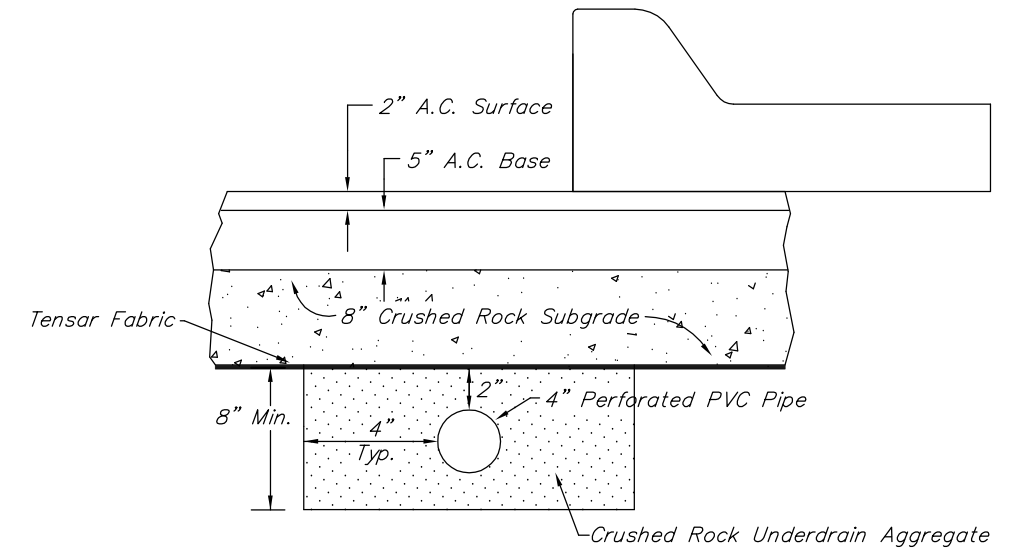
Rock Quality Shall Be The Same As Specified
For Coarse Aggregate For Asphalt Concrete Mixes.



Type 1 & 2 Inlet



Type 1-A Inlet



PAVEMENT UNDERDRAIN AT SUMPS

NOTE:
Place 4" PVC Perforated Pipe at all drainage sump locations.

Cost of Underdrain System at sumps to be incidental to the Reinforced Crushed Rock Subgrade.

Refer to "Pipe Connection Detail" on Sheet No. 47 for connections to structures.

	PAVEMENT UNDERDRAIN DETAIL	
	JIM ARMOUR, P.E. - CITY ENGINEER	
	PROJECT NUMBER 472-84442	INDEX CODE 766112
	DATE DEC 05	SHEET 9 OF 23