

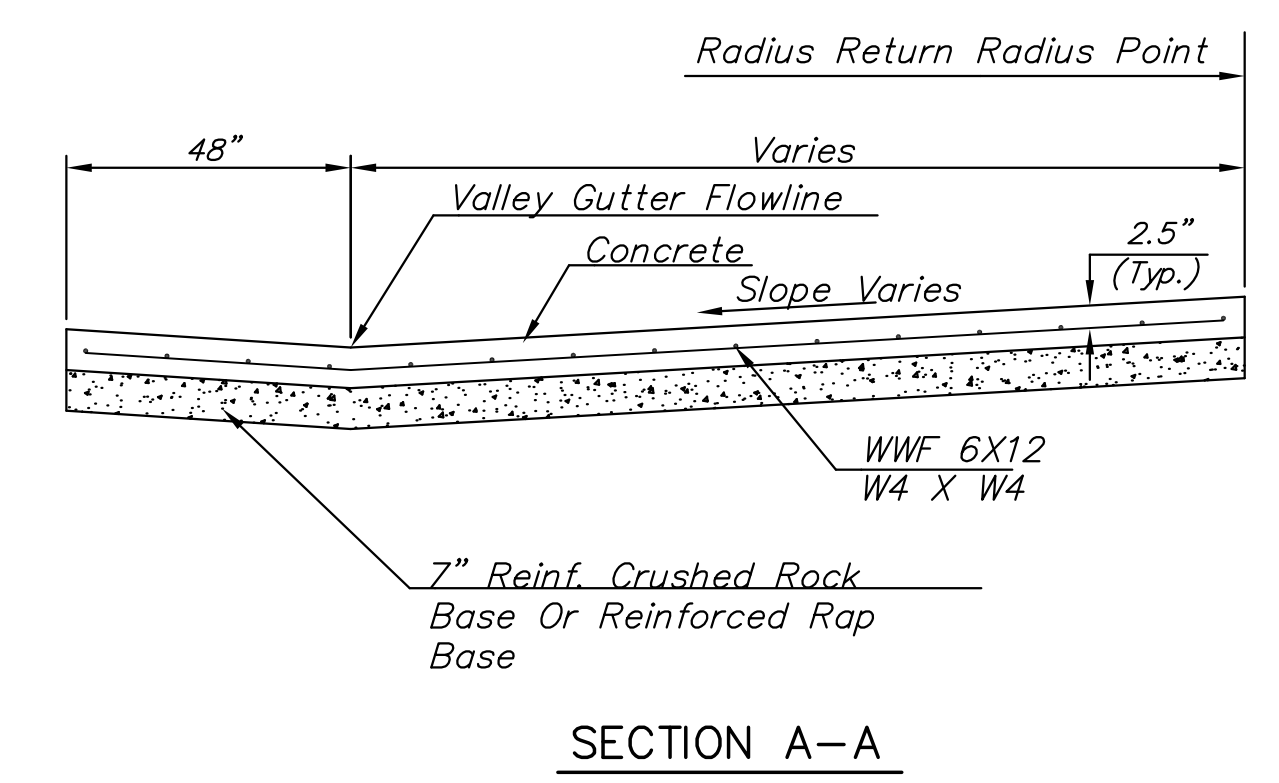
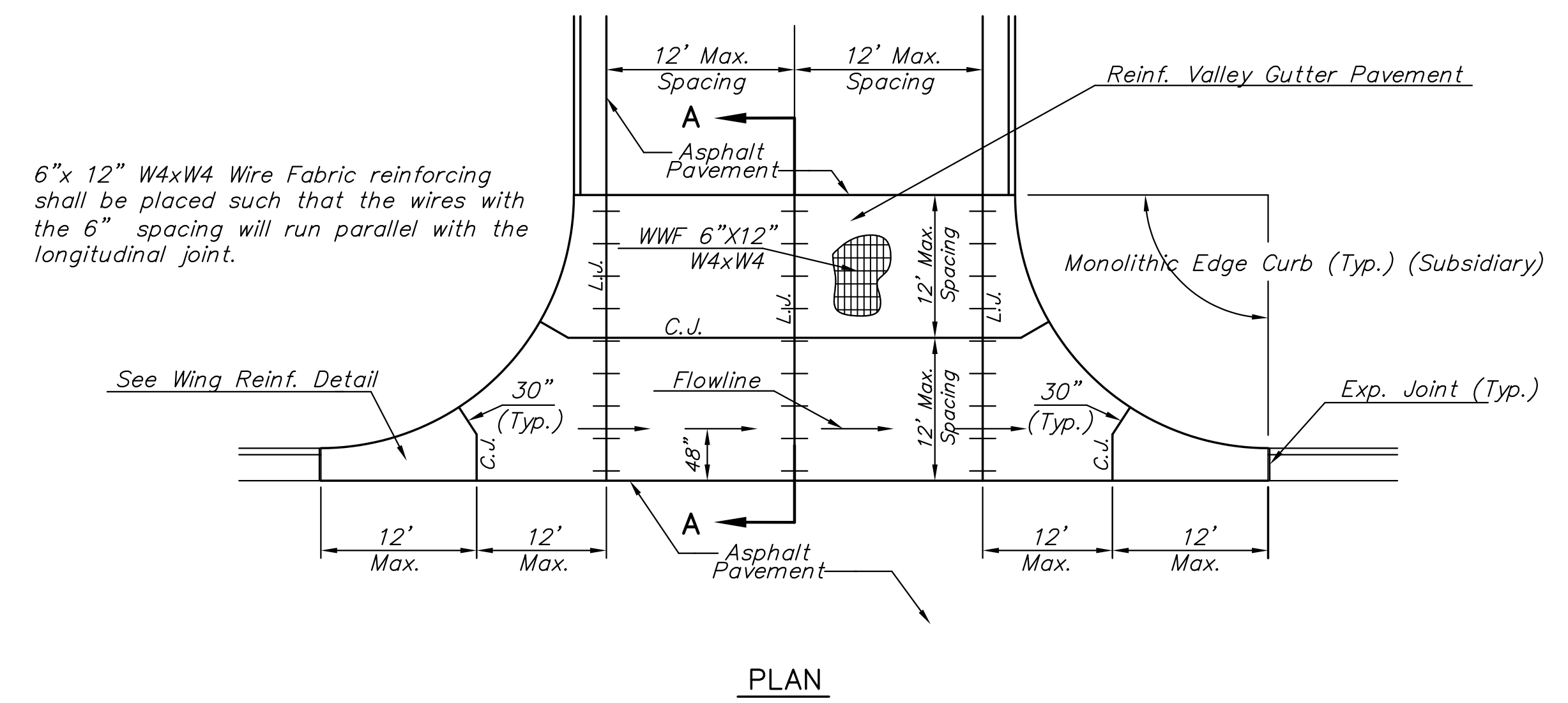
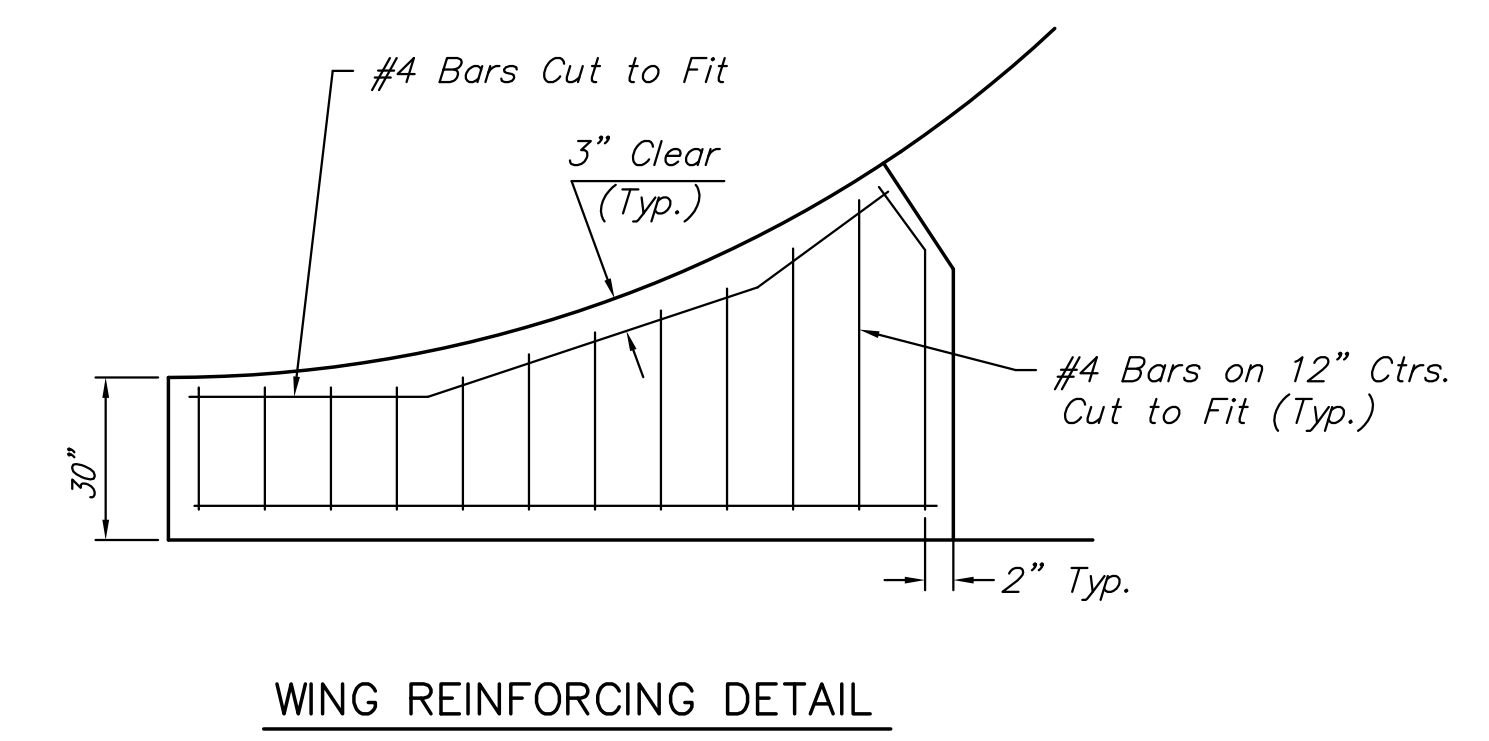
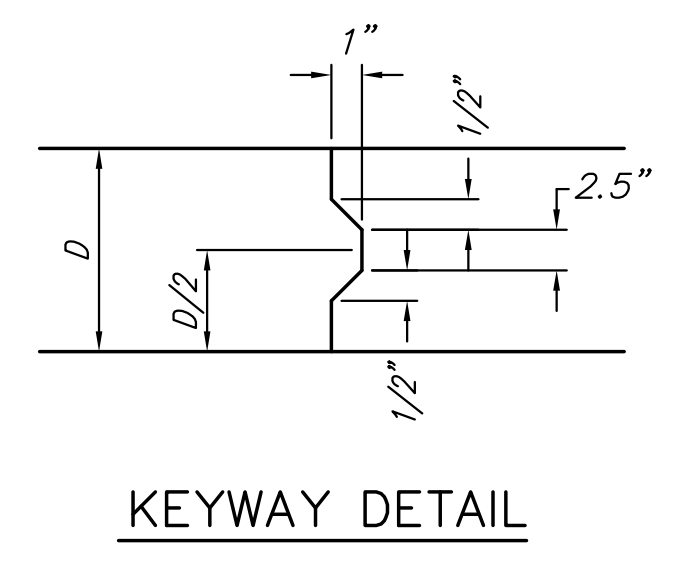
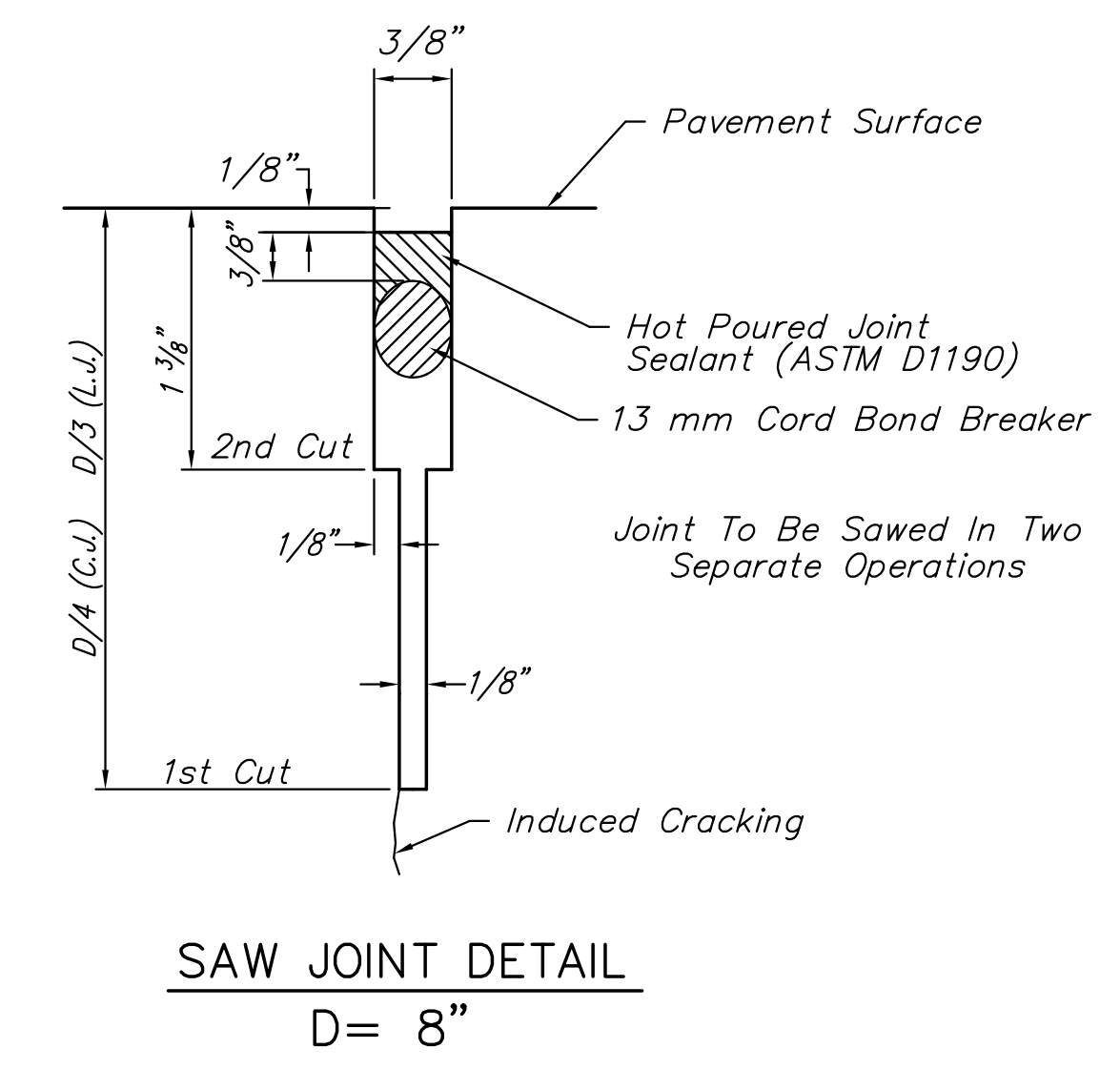
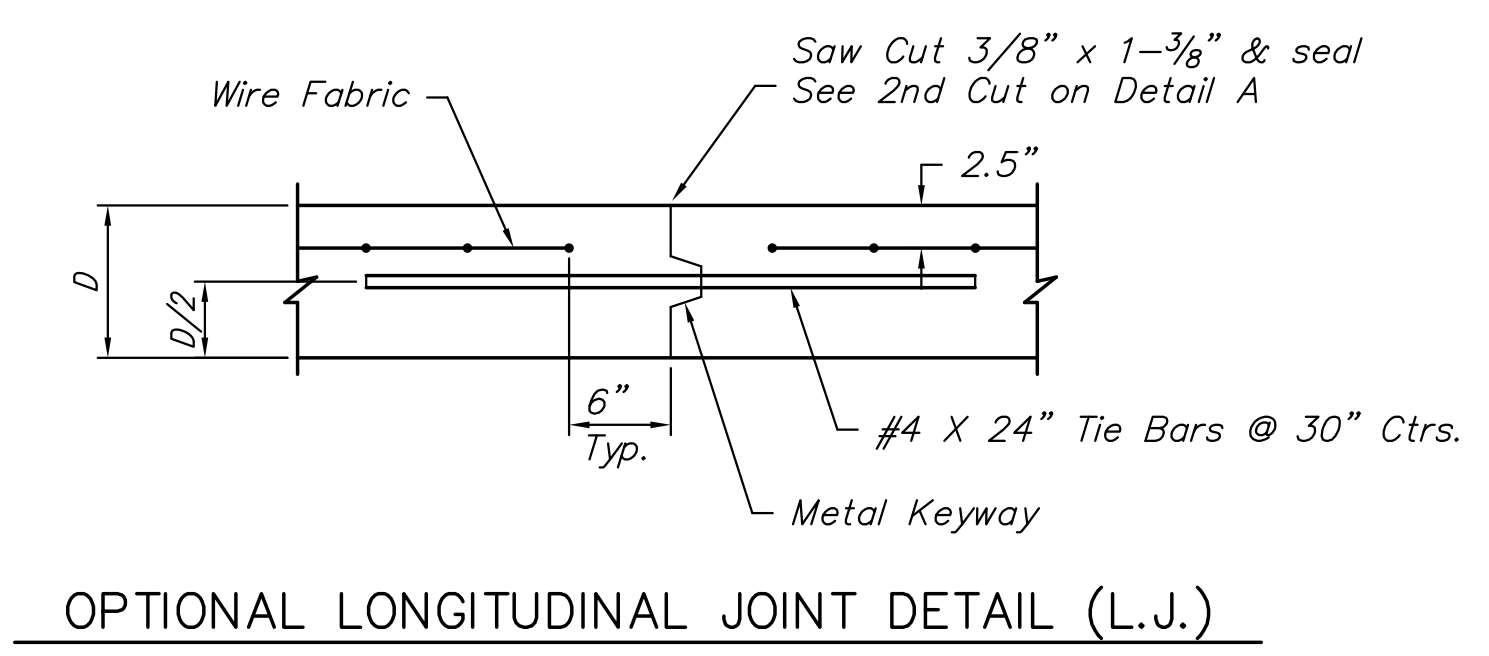
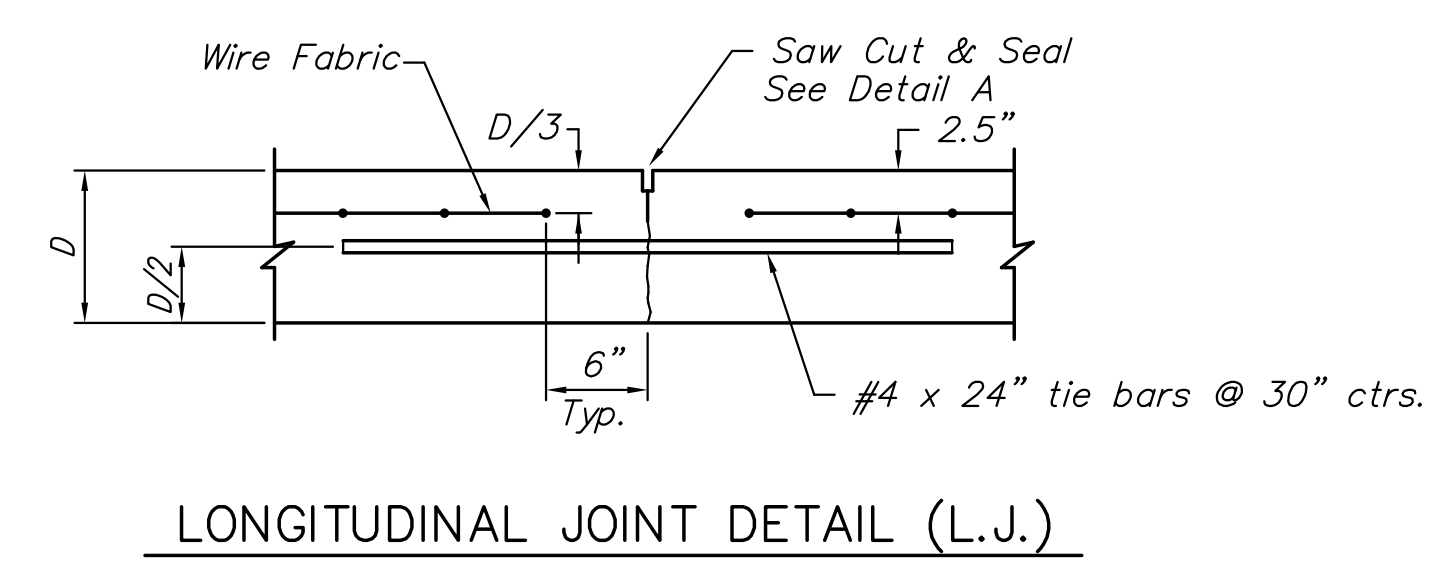
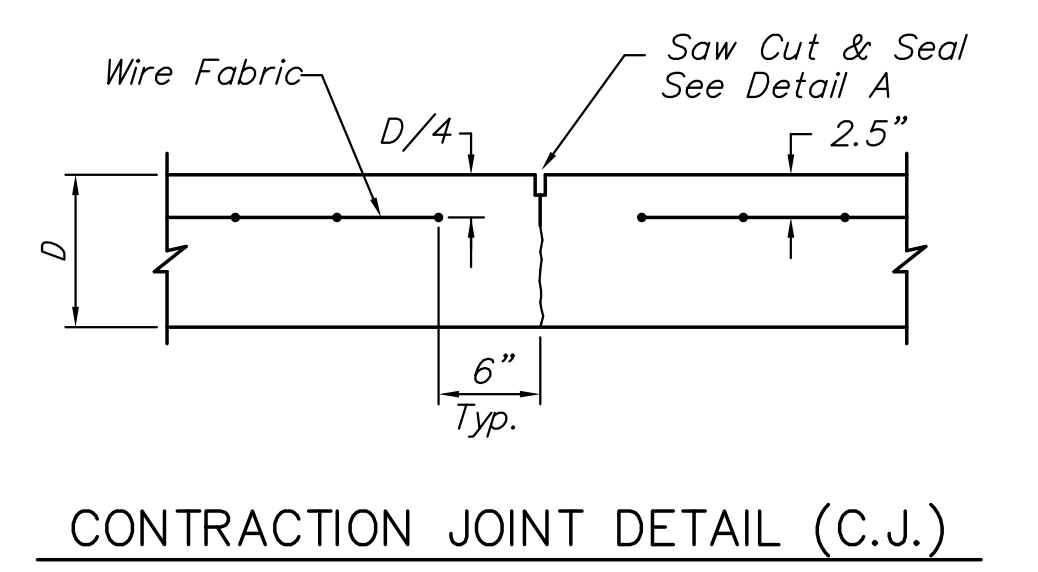
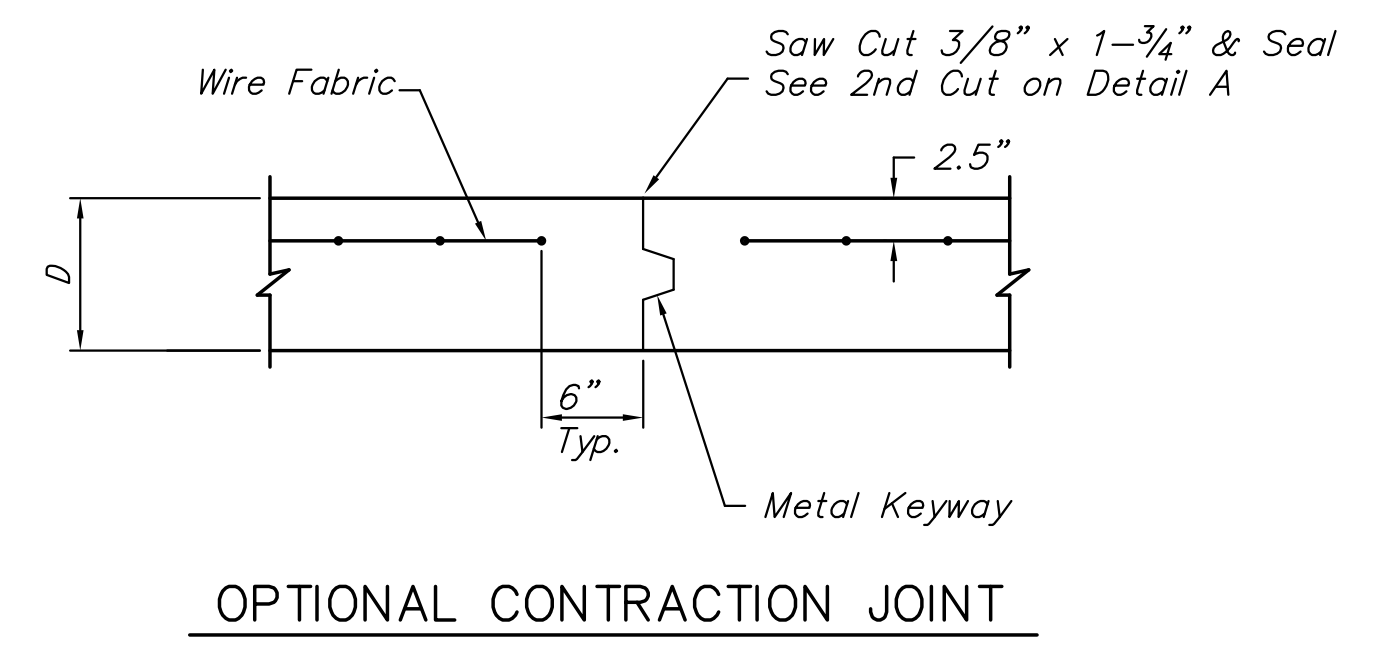
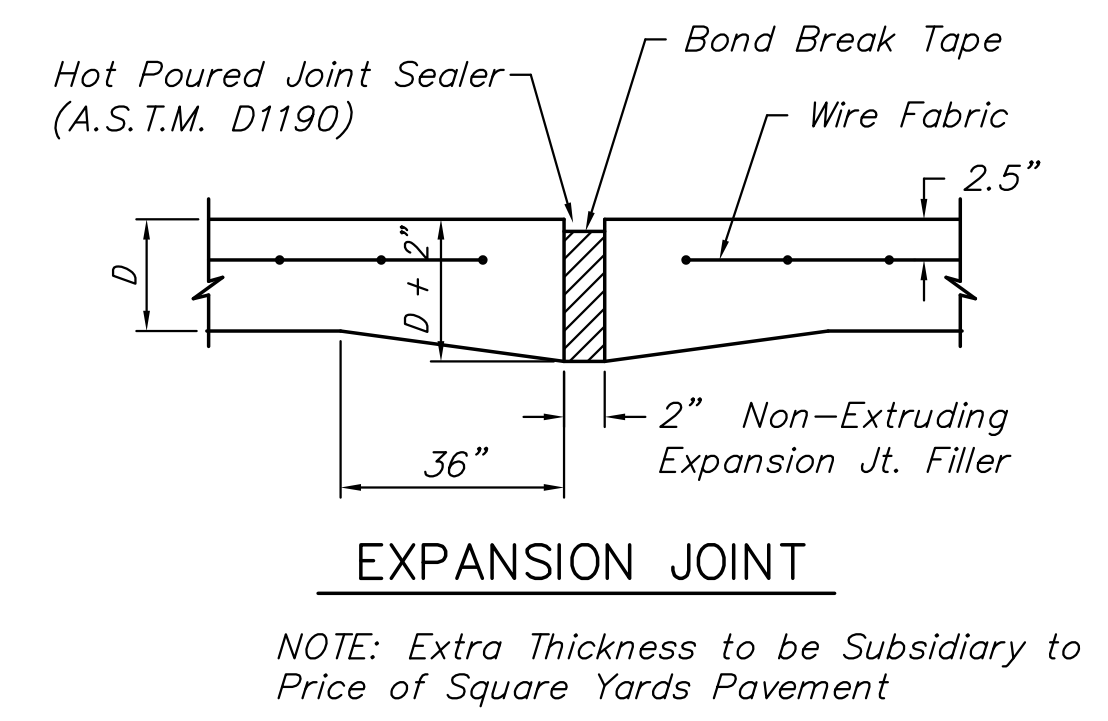
**37TH STREET IMPROVEMENTS
FROM
MAIZE ROAD TO TYLER ROAD**

**VALLEY GUTTER
DETAILS**
SHEET TITLE
472-84693
PROJECT NUMBER

DESIGN BY
DRAWN BY
CHECKED BY

ISSUED
March 24, 2009
REVISED

SHEET NO.
45 of 133



REINFORCED VALLEY GUTTER DETAIL

PLOTTED: Tuesday, March 24, 2009 @ 11:27AM

J:\Civil\08137\DWG\PAV\Valley Gutter Detail