

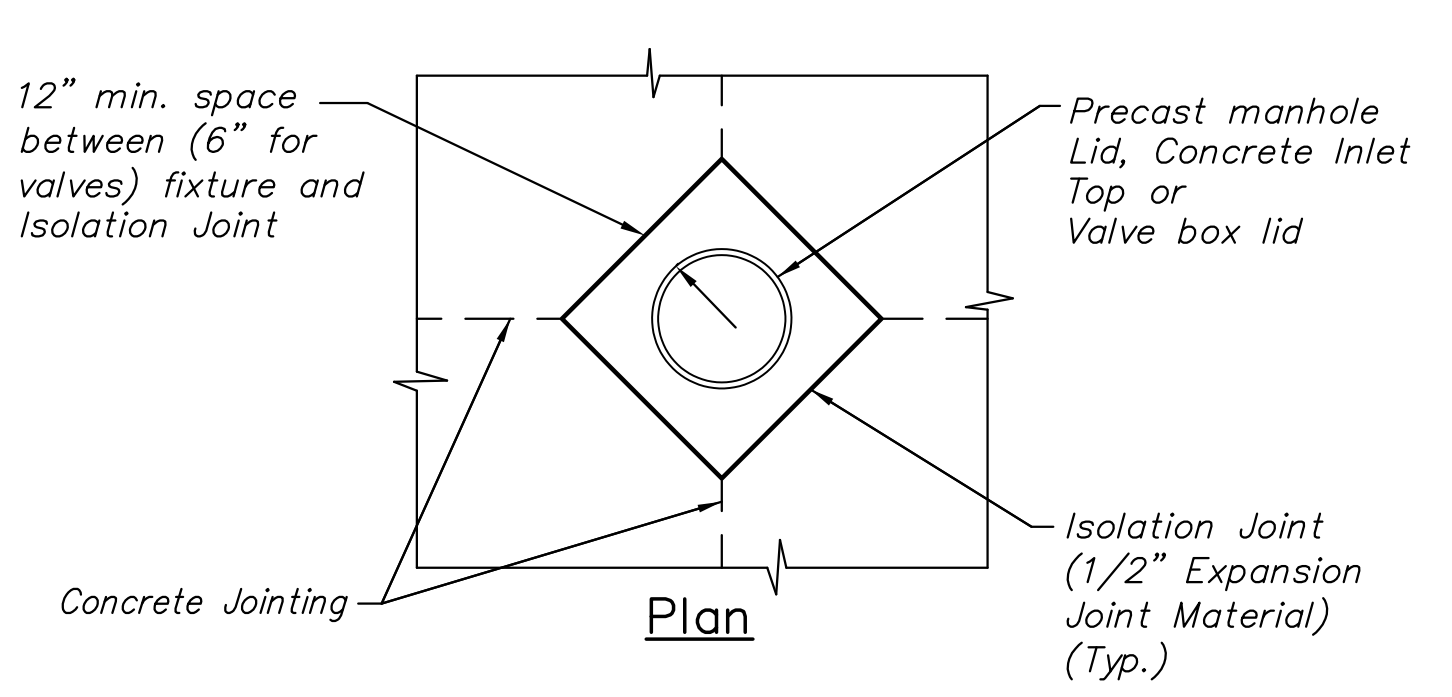
**37TH STREET IMPROVEMENTS
FROM
MAIZE ROAD TO TYLER ROAD**

**MISCELLANEOUS
DETAILS**
SHEET TITLE
472-84693
PROJECT NUMBER

DESIGN BY
DRAWN BY
CHECKED BY

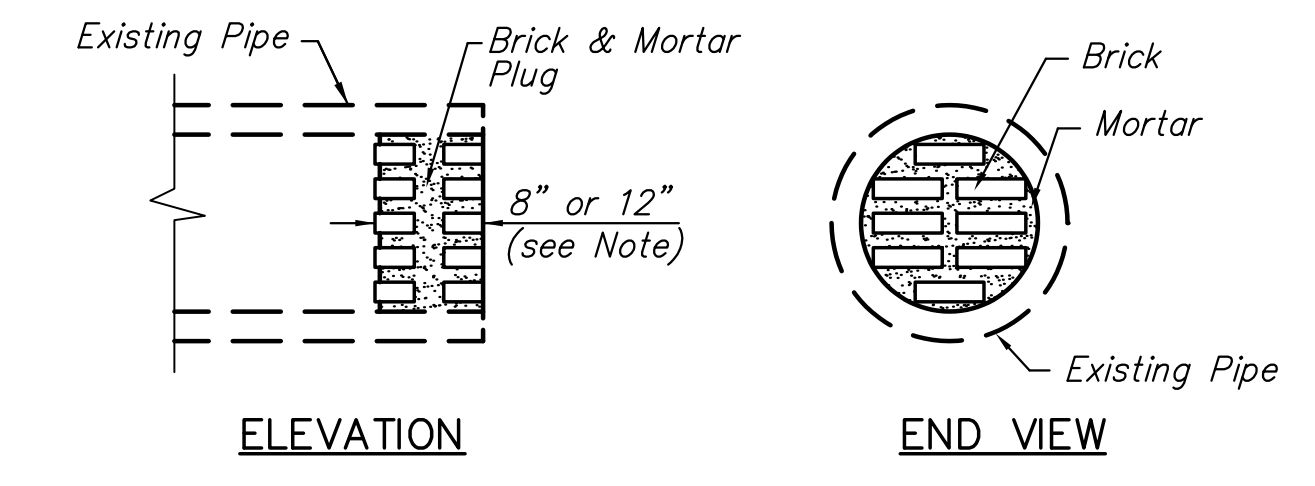
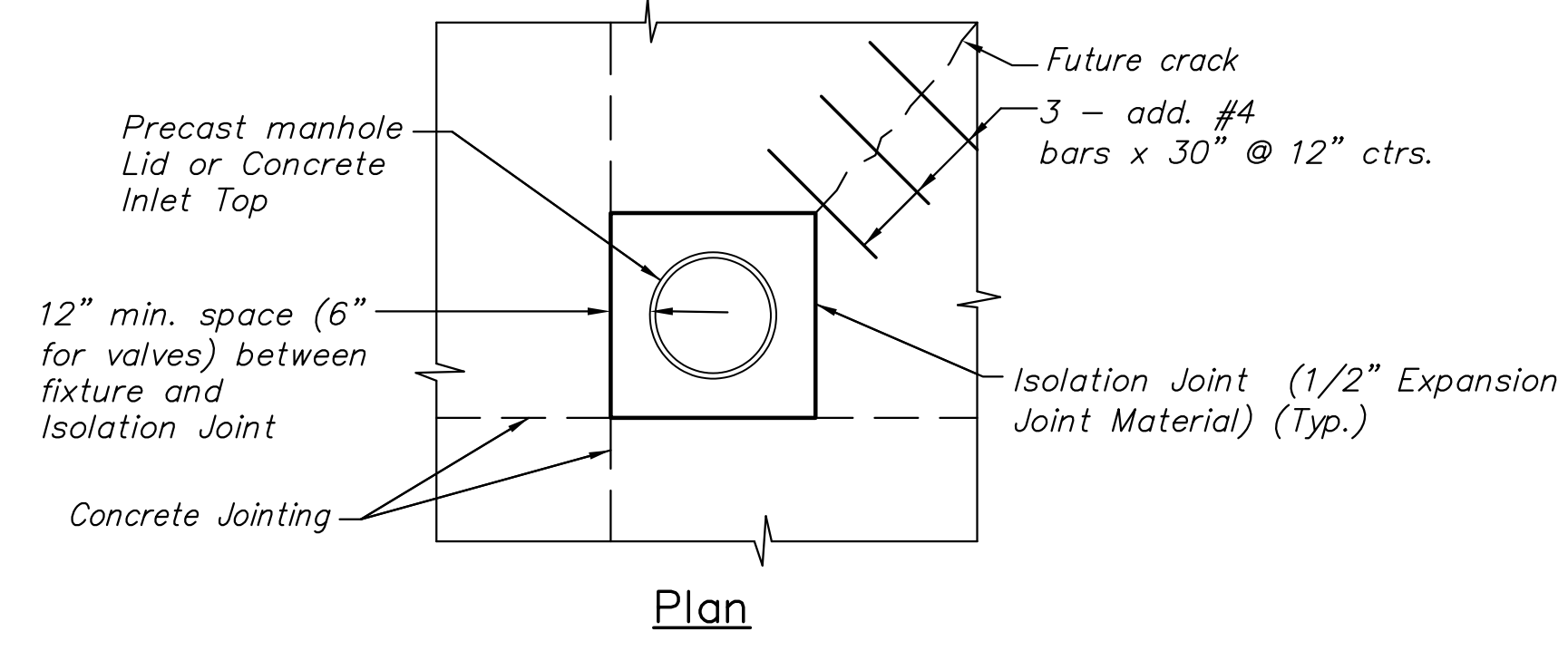
ISSUED
March 24, 2009
REVISED

SHEET NO.
64 of 133



TYPICAL UTILITY BOX-OUT DETAILS

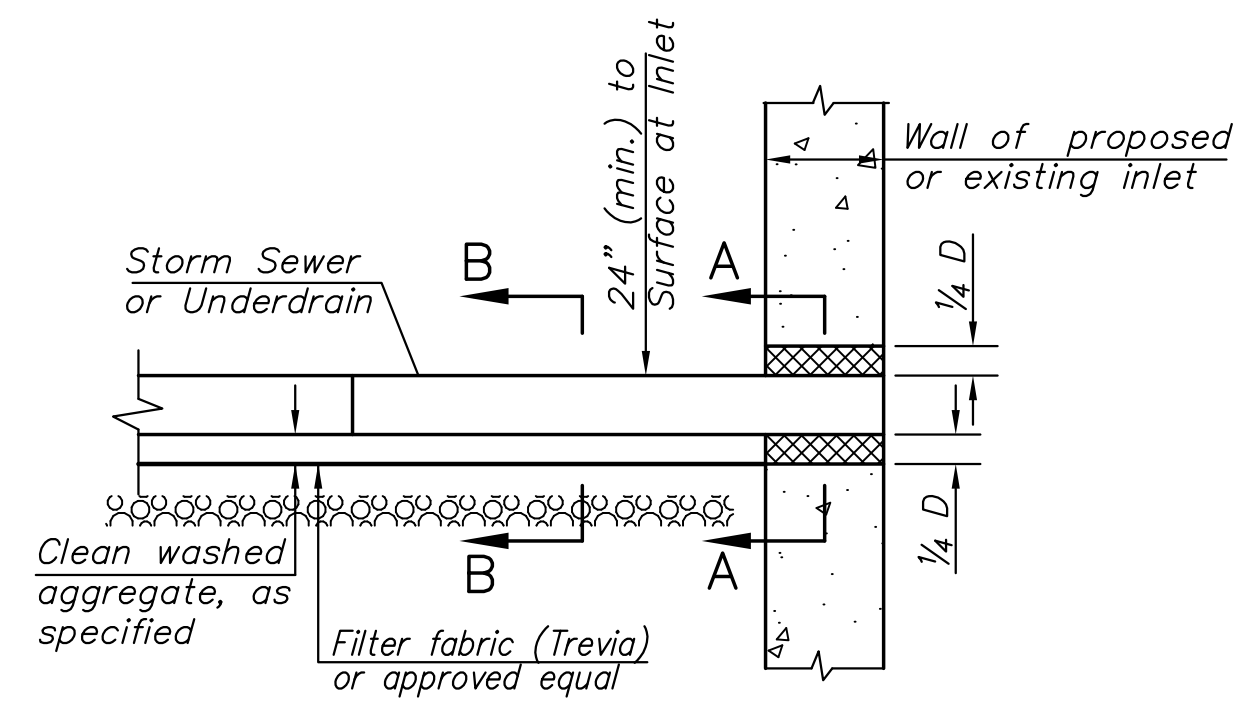
Note: Contractor shall construct box-outs around all surface utility fixtures, as shown, when fixtures fall on or near concrete joints, or as directed by the Engineer. All other fixtures shall have an isolation joint or bond breaker between them and concrete pavement. Cost shall be subsidiary.



PIPE PLUGGING DETAIL

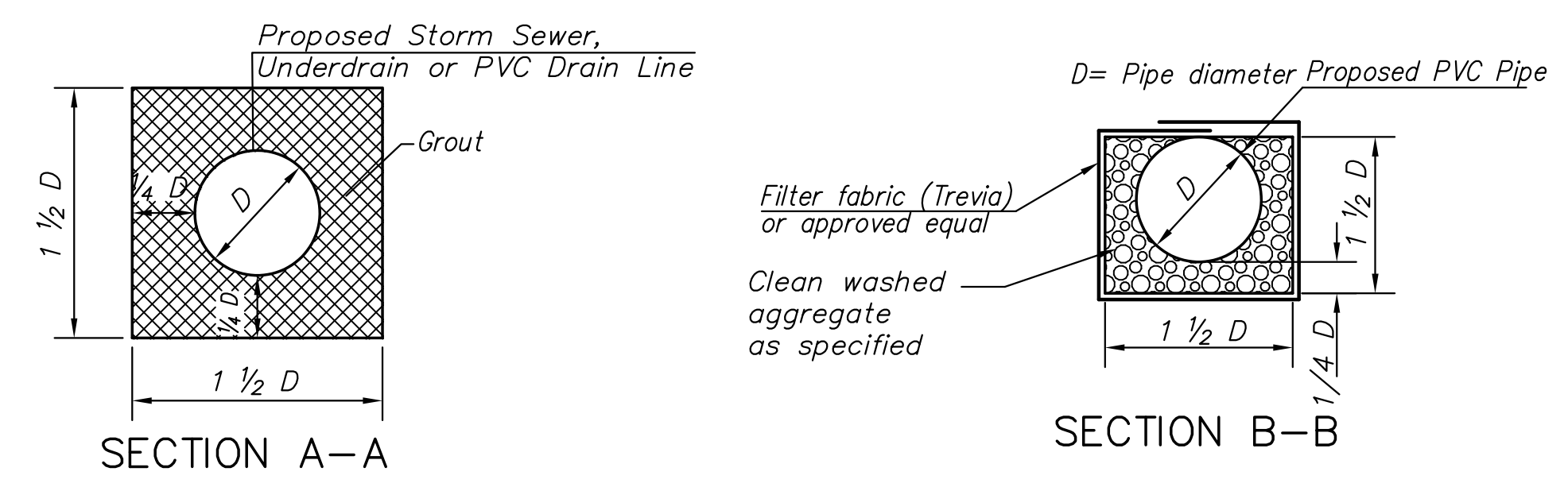
Note:
Pipe Plugs Shall Be Constructed Of Brick Masonry, With Construction Requirements And Materials Conforming To The Same Requirements As Specified For A Masonry Construction In The Std. Specs. Pipes Having Diameters Of 18" Or Smaller Shall Be Plugged With 8" Thick Plug. Pipes Having Diameters Larger Than 18" Shall Be Plugged With 12" Thick Plug. The Construction Of Pipe Plugs Shall Not Be Paid For Directly, But Shall Be Considered Subsidiary To Pipe Installation.

The Contractor May Use Other Methods To Plug Existing Pipe If Approved By The Project Engineer.

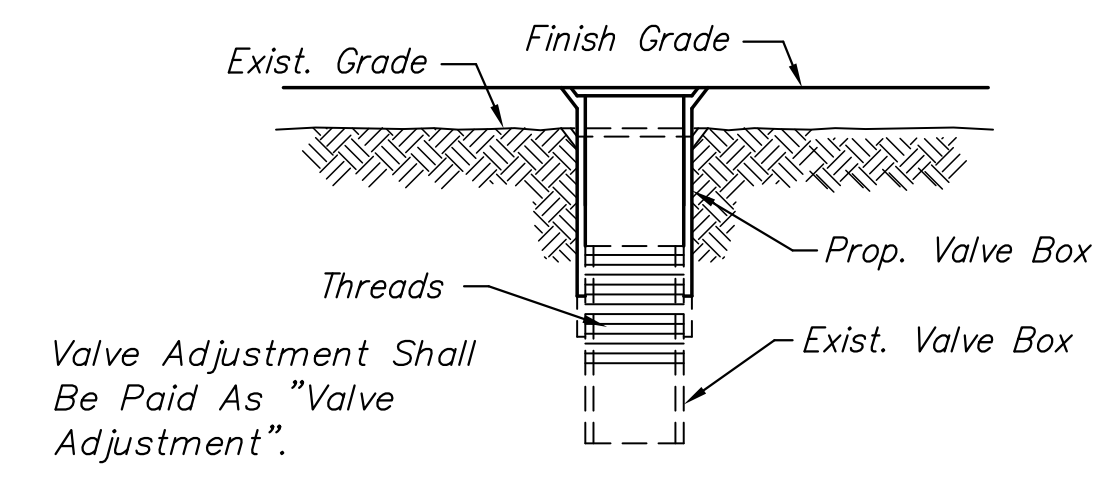


Contractor to remove section from existing (or proposed structure) and patch around pipe.

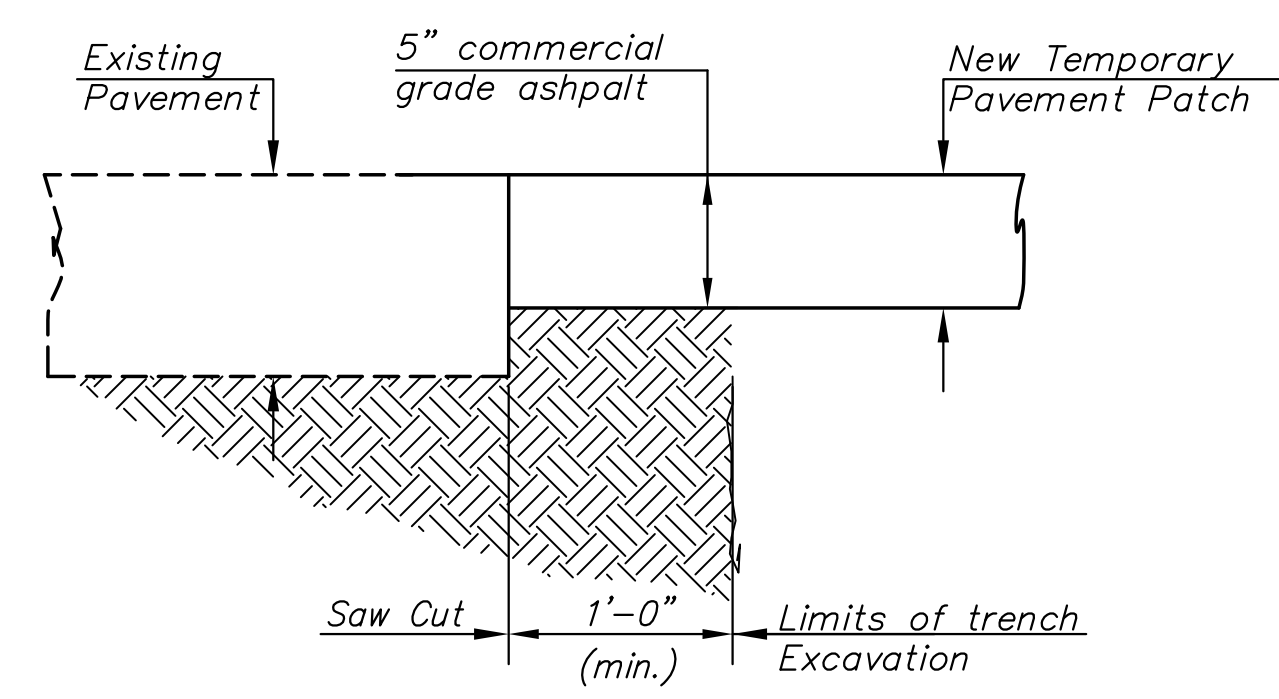
NOTE: A hole shall be made through existing structures as shown to accommodate pipe connections. Round holes are acceptable. Clean gravel and filter fabric around pipe will not be required around concrete storm sewer pipe.



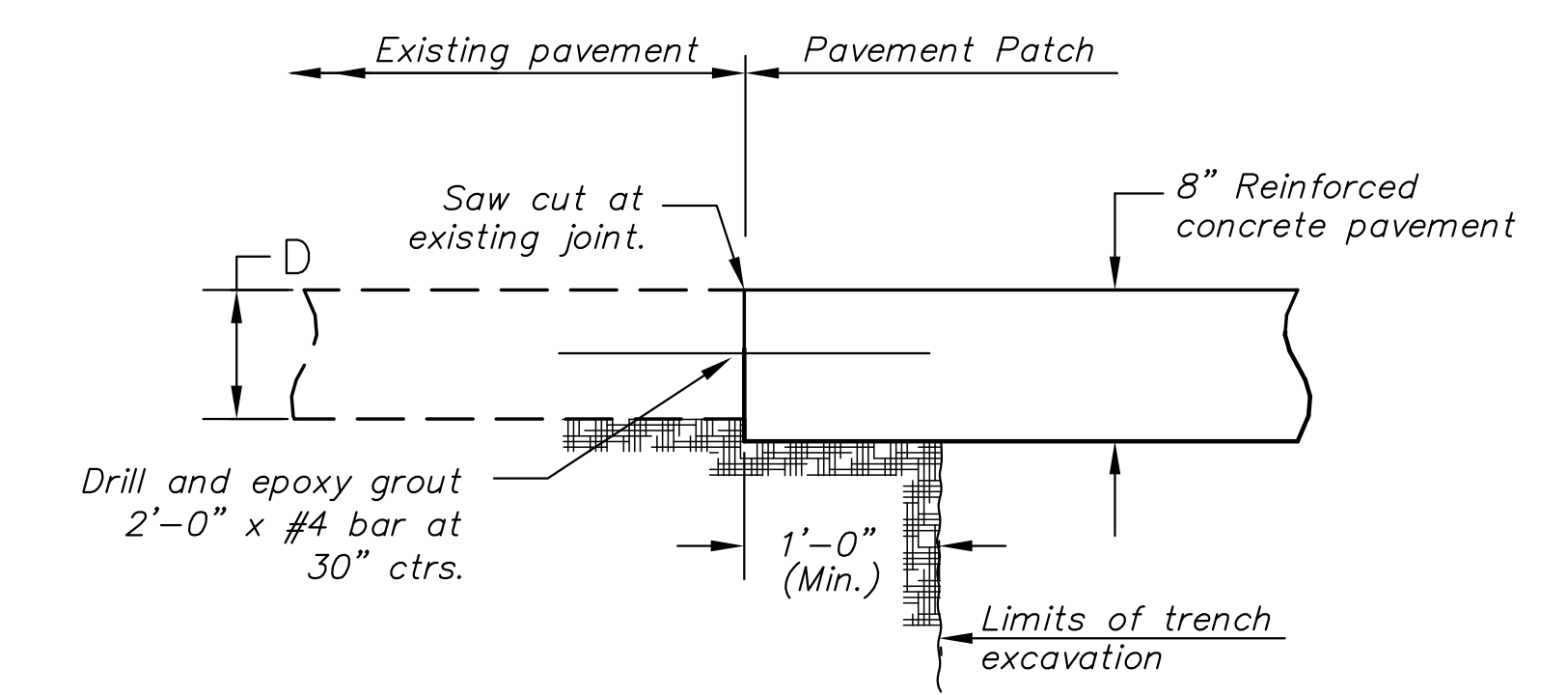
PIPE CONNECTION DETAIL



WATER VALVE BOX ADJUSTMENT DETAIL



TEMPORARY UTILITY PAVEMENT PATCH



PERMANENT PAVEMENT PATCH DETAIL

PLOTTED: Tuesday, March 24, 2009 @ 11:29AM

J:\Civil\08137\DWG\Details\Misc Details