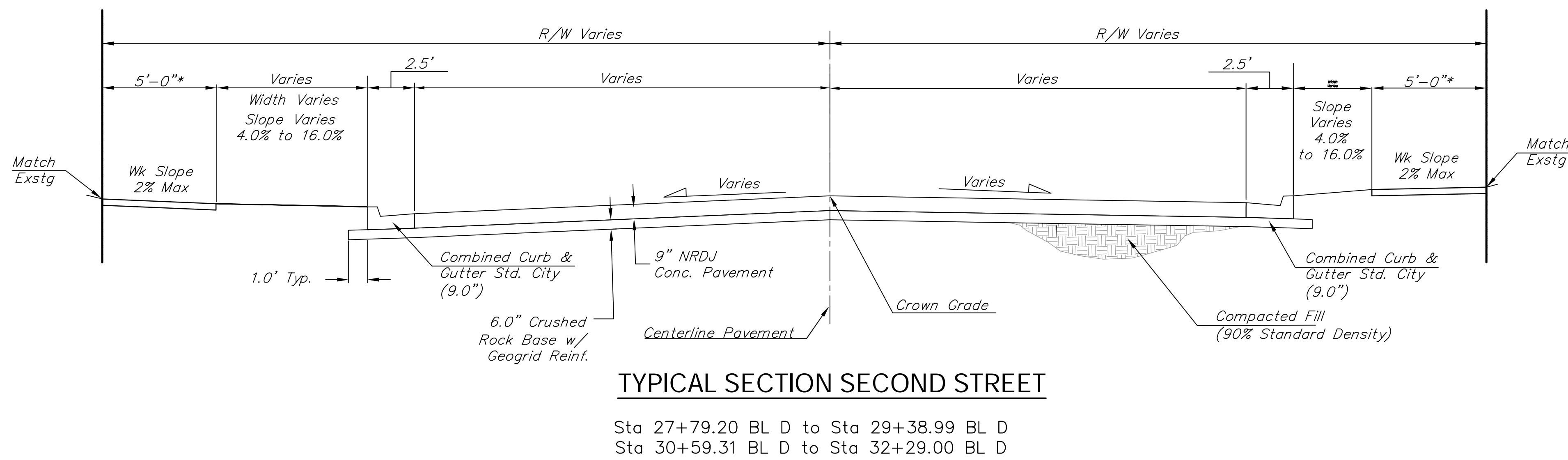
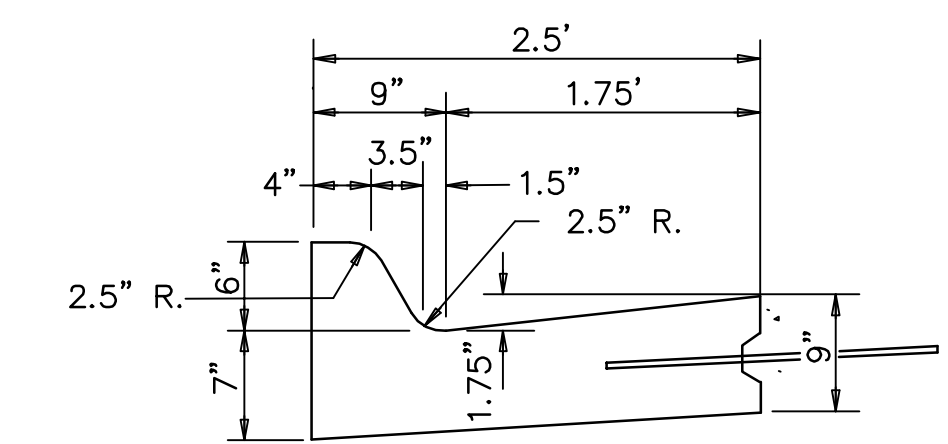
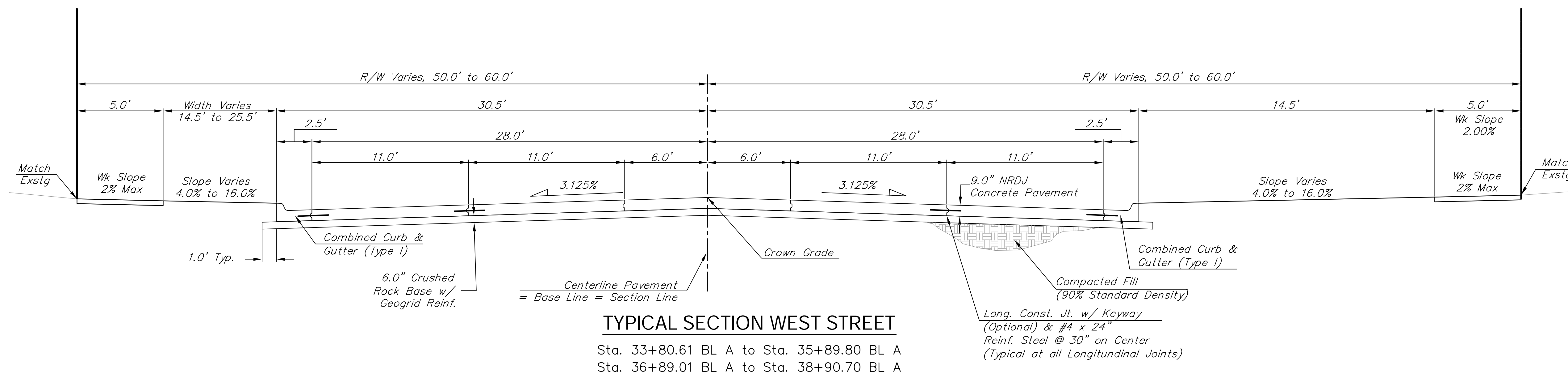


FHWA REGION NO.	STATE	PROJECT NO.	FISCAL YEAR	SHEET NO.	TOTAL SHEETS
7	KANSAS	87N-0459-01	2008	4	32

Fed. Aid # HSIP-N045(901)



\*No Sidewalk between  
 Sta. 27+29.20 to  
 Sta. 29+52± BLD  
 Sidewalk Starts after  
 Sta. 27+79.20 BLD  
 Sidewalk End Before  
 Sta. 32+29 BLD