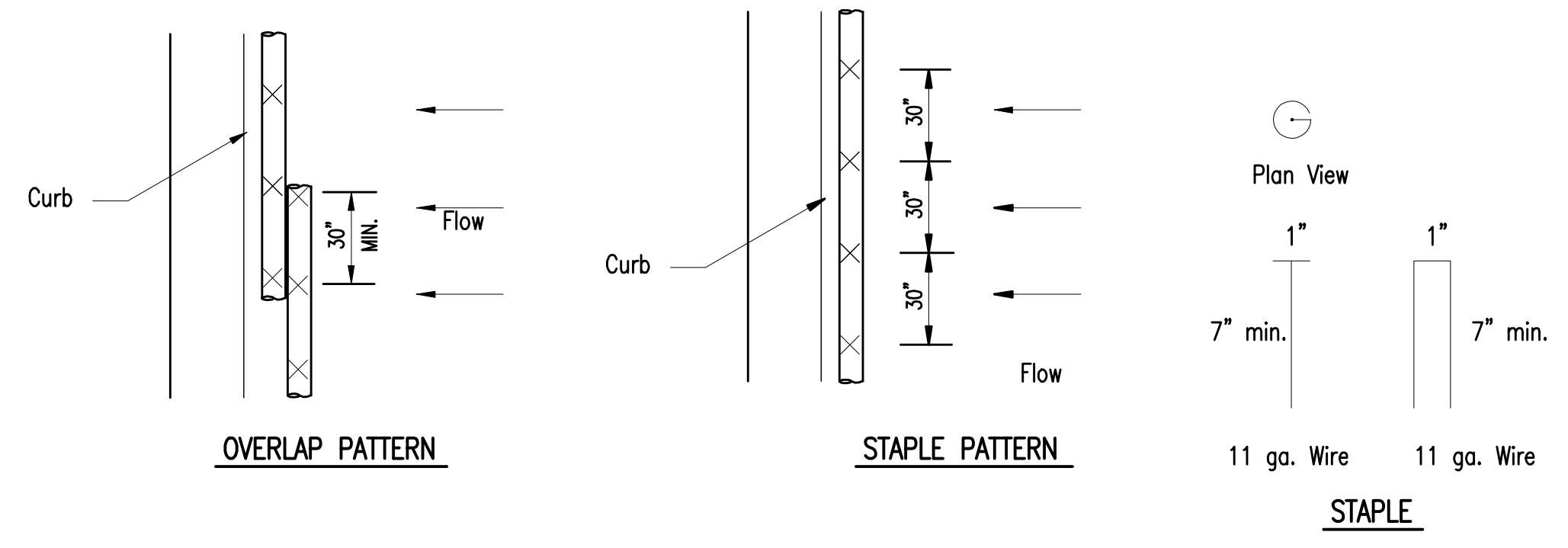


- NOTES:
- EXCELSIOR LOG/ROLL TO BE INSTALLED WHEN SOD IS NOT SPECIFIED ON PROJECT.
  - AFTER INSTALLATION OF LOG/ROLL, AT LOCATIONS WHERE CONCENTRATED FLOW CARRIES SEDIMENT OVER THE CURB AND INTO THE GUTTER, SUPPLEMENTAL EROSION CONTROL DEVICES WILL BE INSTALLED BY THE CONTRACTOR AS NEEDED, TO FIX THE PROBLEM.

- NOTES:
- Barriers must be placed back of curb along street and up the driveway sufficiently to catch all sediment from the yard.
  - Anchor to ground every 30" with a 7" min. long staple.
  - Remove accumulated sediment when within 2 inches of top of device.
  - Replace/repair all broken/damaged sediment logs/rolls to maintain effectiveness of device.
  - Sediment logs/rolls can be driven over for access to the site. They need to be picked up and put back down after they have been compacted by any traffic to maintain effectiveness of BMP. Replace as needed per original design.

**BACK OF CURB PROTECTION DETAIL**



**DETAILS FOR SEDIMENT LOG/ROLL**

**SEDIMENT LOG BARRIERS**

NOTES:  
FOLDED Excelsior matting will not be accepted.

**RECORD DRAWING**  
5-8-09



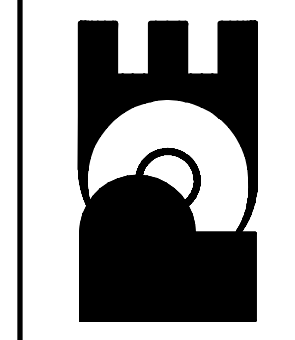
SOIL EROSION BMPs	
<b>BACK OF CURB SEDIMENT BARRIER DETAILS</b>	
SCOTT LINDEBAK, P.E. STORM WATER ENGINEER	
PROJECT NUMBER <b>1358-PPW</b>	OCA NO. <b>607853</b>
DATE <b>NOV 2007</b>	SHEET 9 OF 15

**FINAL**

Designed By: J. Dickman & J. Ubert  
Drawn By: M. Tucker  
Poe Job No.: 1906A  
Date: November 2007

SERENDIPITY ESTATES ADDITION WATERLINE  
**EROSION CONTROL BMP'S**  
CITY OF ANDOVER, KANSAS  
JAMES M. THOMPSON, P.E. - CITY ENGINEER  
C.O.W. Proj. No. 1358-PPW Index Code 607853

**POE & ASSOCIATES, INC.**  
CONSULTING ENGINEERS  
5940 E. Central, Suite 200 - Wichita, KS 67208-4242  
Phone 316/685-4114 - FAX 316/685-4444



No.	Date	By	Approved	Revision