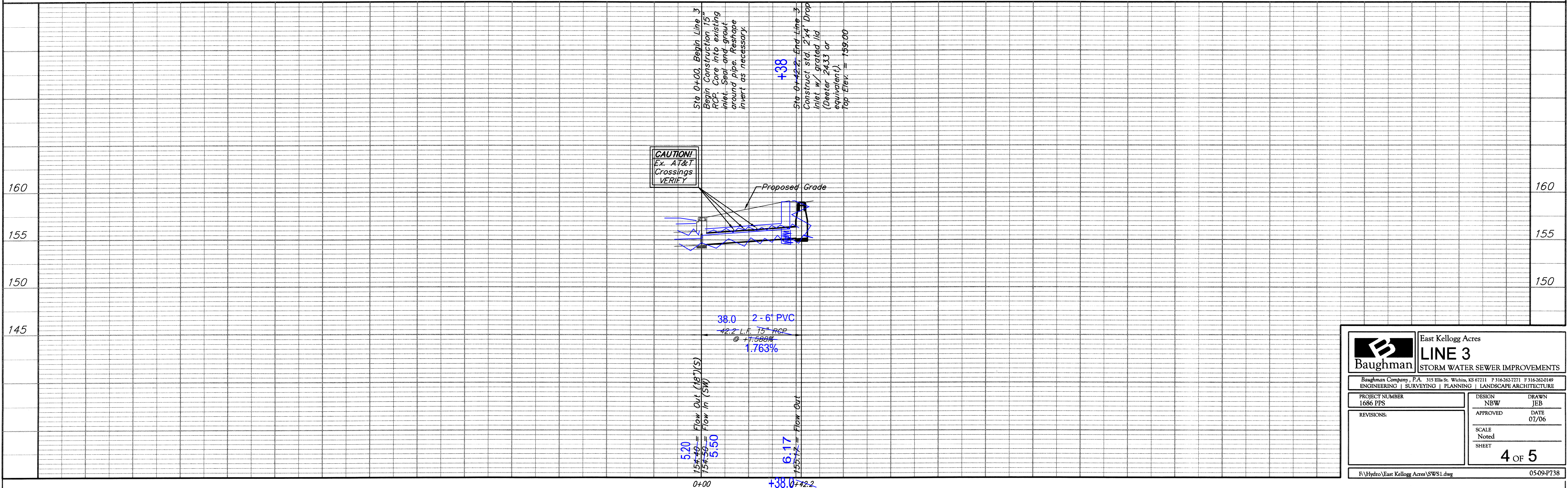
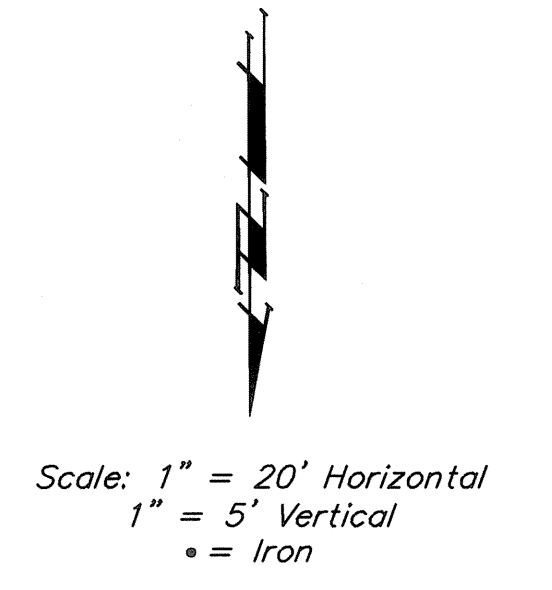
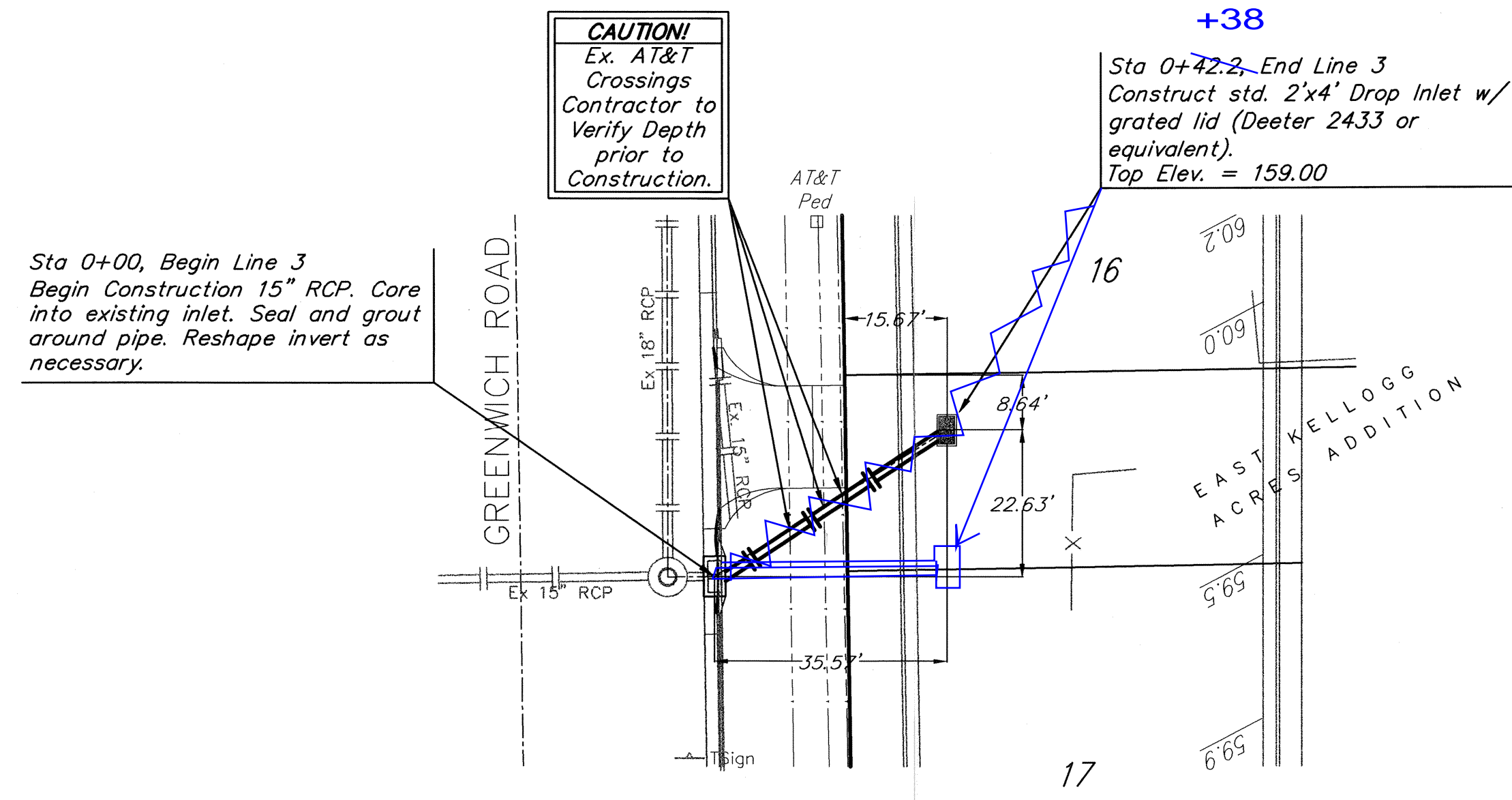


BENCHMARKS:

BM #1: "□" chiseled on Top of West Curb between Lot 19 & 20 on Greenwich Rd.
Elev. = 160.72 (City Datum)

BM #2: "□" chiseled on Top of West Signal Pole Base in front of Lot 16 on Greenwich Rd.
Elev. = 158.51 (City Datum)



		East Kellogg Acres	
		LINE 3	
STORM WATER SEWER IMPROVEMENTS		<small>Baughman Company, P.A. 315 Ellis St. Wichita, KS 67211 P 316-262-7771 F 316-262-0149 ENGINEERING SURVEYING PLANNING LANDSCAPE ARCHITECTURE</small>	
PROJECT NUMBER 1686 PPS	DESIGN NBW	DRAWN JEB	DATE 07/06
REVISIONS:	APPROVED	SCALE Noted	
		SHEET 4 OF 5	
F:\Hydro\East Kellogg Acres\SWSI.dwg		0509-P738	