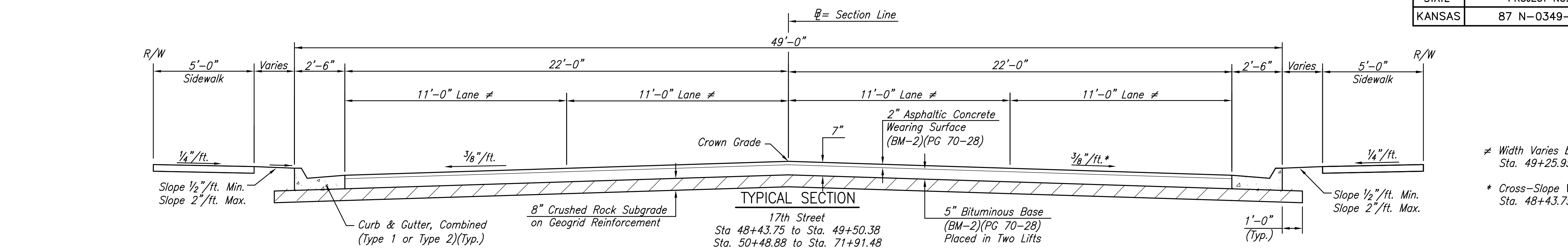
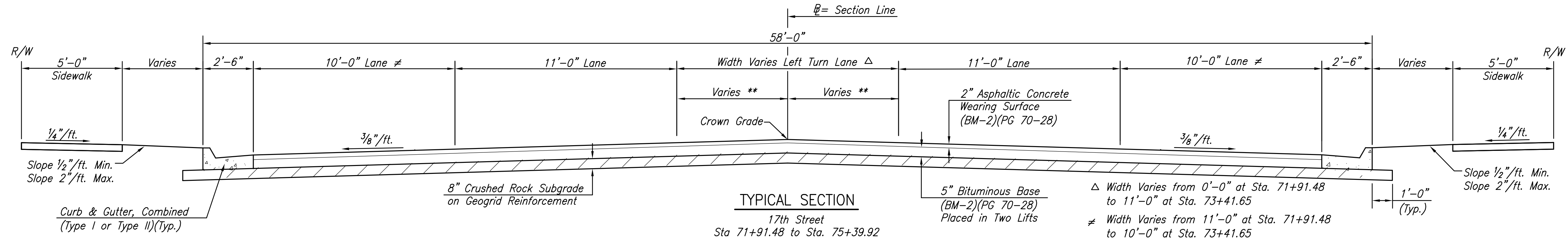


STATE	PROJECT NO.	YEAR	SHEET NO.	SHEETS
KANSAS	87 N-0349-01	2009	3	133

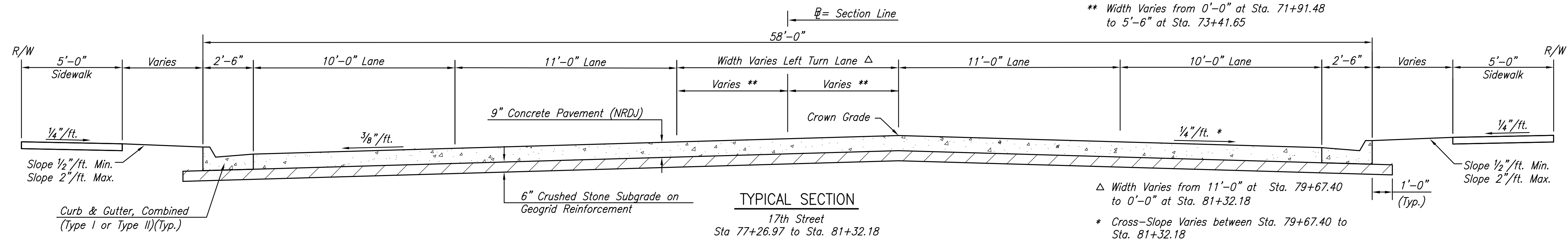
MKEC
ENGINEERING
CONSULTANTS, INC.
411 N. WEBB ROAD
WICHITA, K.S. 67206
316-684-9600



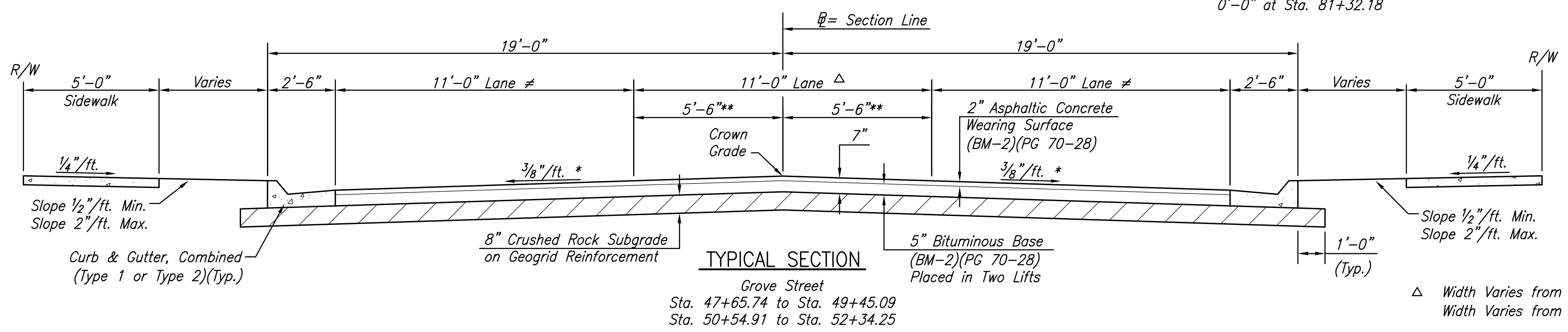
≠ Width Varies between Sta. 48+43.75 to Sta. 49+25.95
* Cross-Slope Varies between Sta. 48+43.75 to Sta. 49+25.95



△ Width Varies from 0'-0" at Sta. 71+91.48 to 11'-0" at Sta. 73+41.65
≠ Width Varies from 11'-0" at Sta. 71+91.48 to 10'-0" at Sta. 73+41.65
** Width Varies from 0'-0" at Sta. 71+91.48 to 5'-6" at Sta. 73+41.65

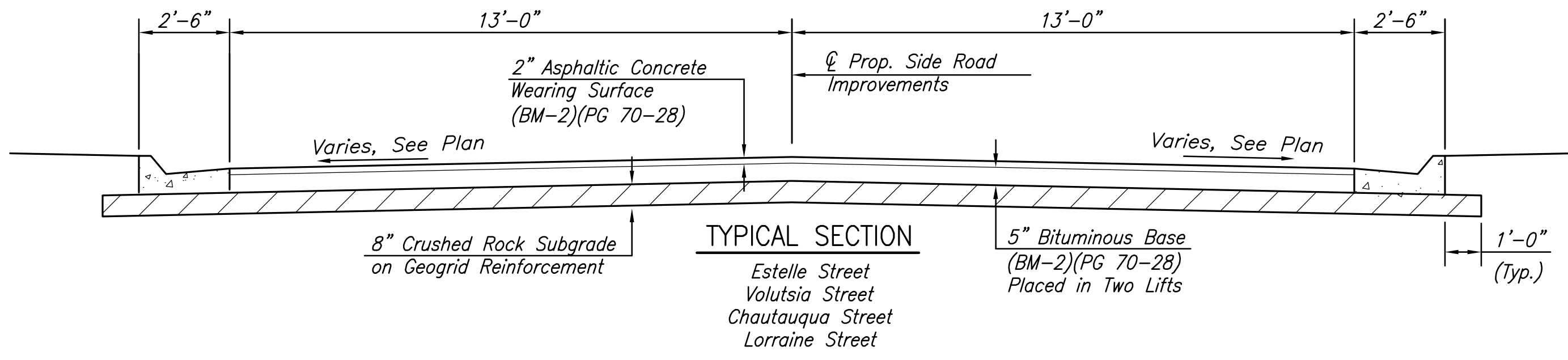


△ Width Varies from 11'-0" at Sta. 79+67.40 to 0'-0" at Sta. 81+32.18
* Cross-Slope Varies between Sta. 79+67.40 to Sta. 81+32.18
** Width Varies from 5'-6" at Sta. 79+67.40 to 0'-0" at Sta. 81+32.18



Note:
Between Sta. 49+50.38 and Sta. 50+48.88 and Between Sta. 75+39.92 and Sta. 77+25.97, Refer to Intersection details

△ Width Varies from 0'-0" at Sta. 47+65.74 to 11'-0" at Sta. 48+48.75
Width Varies from 11'-0" at Sta. 51+50.63 to 0'-0" at Sta. 52+34.25
≠ Width Varies from existing at Sta. 47+65.74 to 11'-0" at Sta. 48+48.75
Width Varies from 11'-0" at Sta. 51+50.63 to existing at Sta. 52+34.25
* Cross-Slope Varies from existing at Sta. 47+65.74 to 3/8"/ft. at Sta. 49+45.09
Cross-Slope Varies from 3/8"/ft. Sta. 51+50.63 to existing at Sta. 52+34.25
** Width Varies from 0'-0" at Sta. 47+65.74 to 5'-6" at Sta. 48+48.75
Width Varies from 5'-6" at Sta. 57+50.63 to 0'-0" at Sta. 52+34.25



PLOT: Thursday, May 28, 2009 10:28AM

J:\Civ\04179\dwg\Title 04179typ1.dwg 11/03/2008 08:46:01 AM CST

17th STREET FROM GROVE TO HILLSIDE

TYPICAL SECTIONS
SHEET TITLE
87 N-0349-01
PROJECT NUMBER

JRA
DESIGN BY
JSB
DRAWN BY
JRA
CHECKED BY

ISSUED
May 28, 2009
REVISED

SHEET NO.
3 of 133