

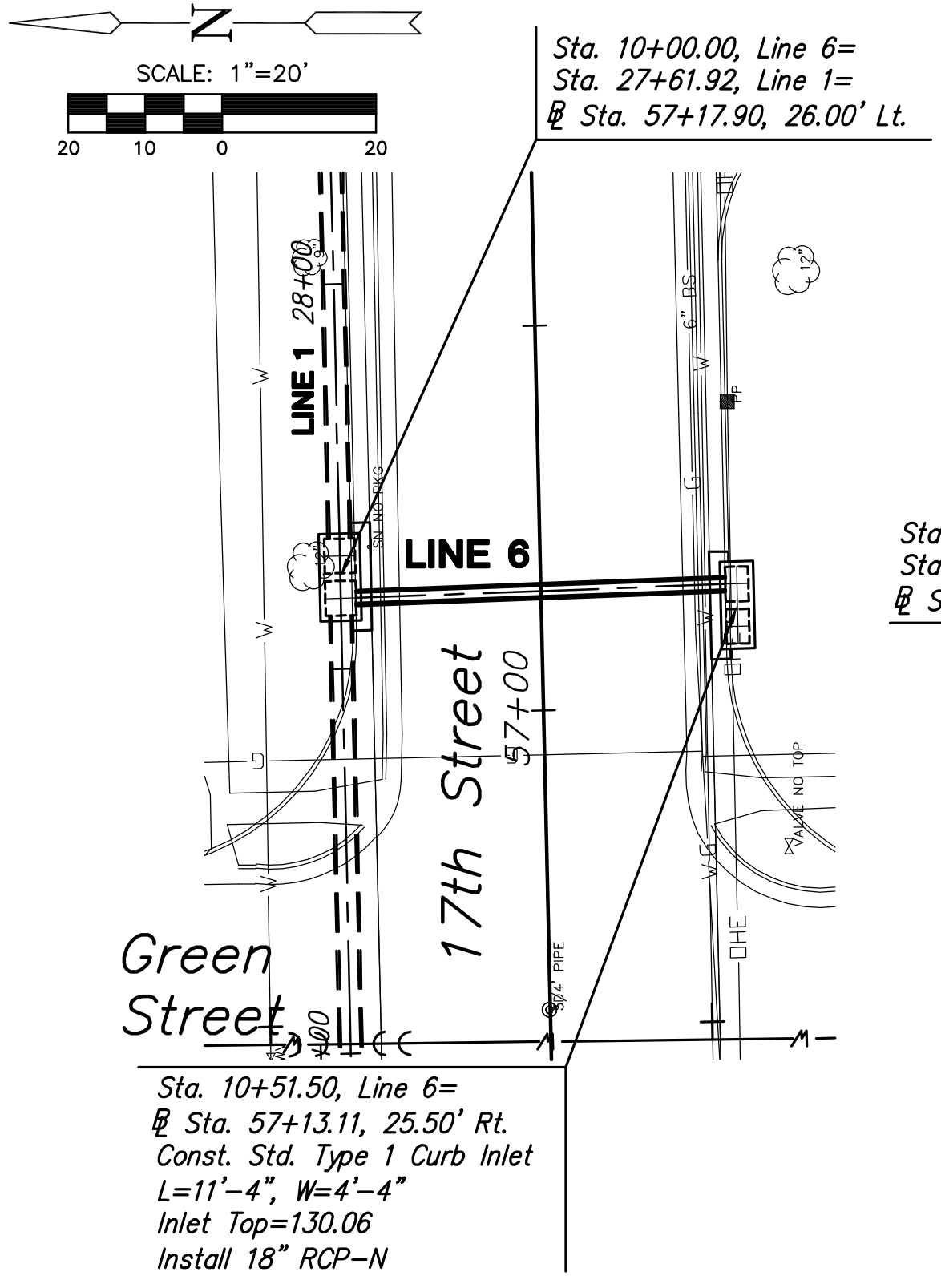
**17th STREET  
FROM GROVE TO HILLSIDE**

**STORM LINE 6,  
STORM LINE 8, &  
STORM LINE 9**  
SHEET TITLE  
87 N-0349-01  
PROJECT NUMBER

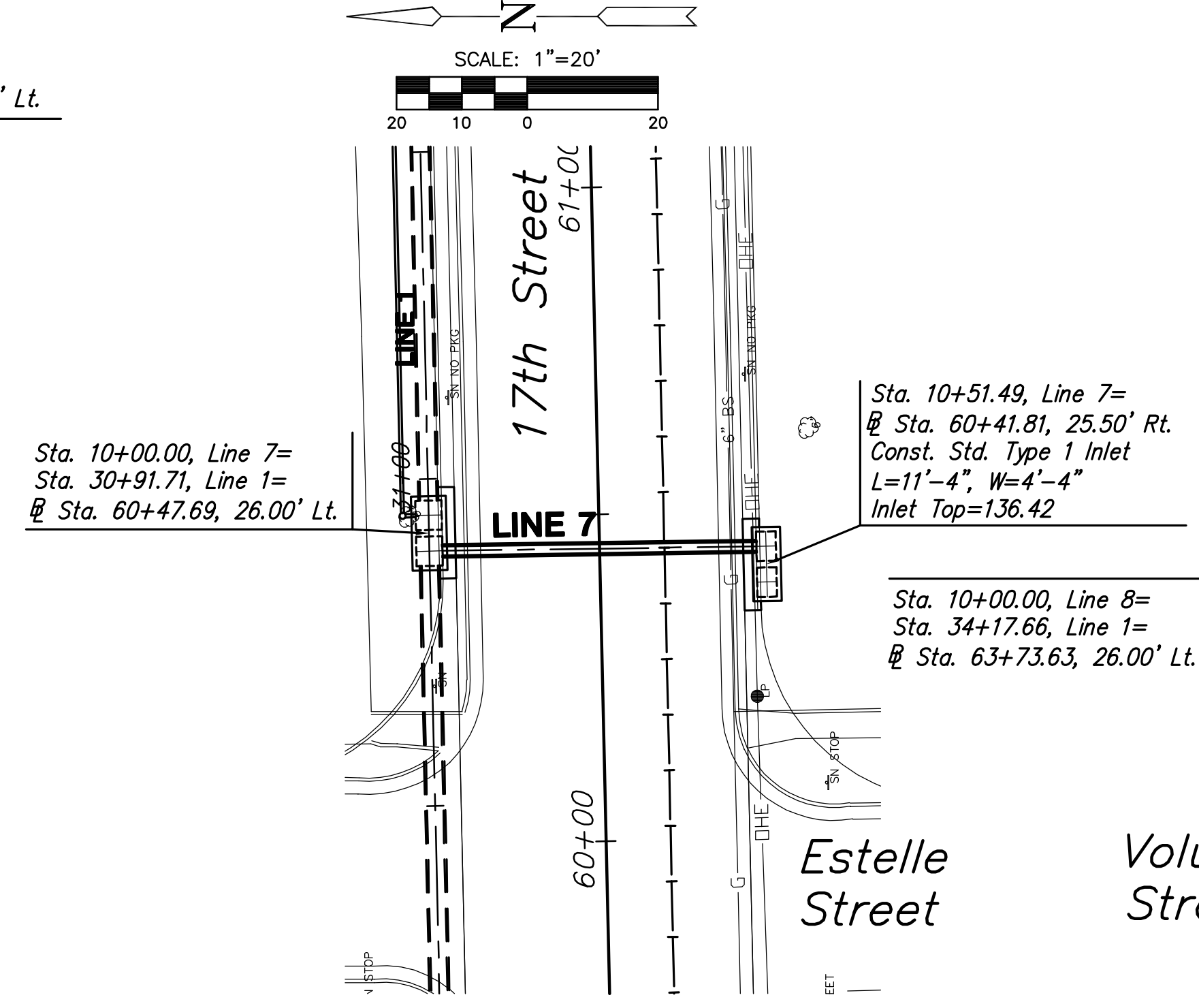
DESIGN BY: JRA  
DRAWN BY: JSB  
CHECKED BY: JRA

ISSUED: May 28, 2009  
REVISED:

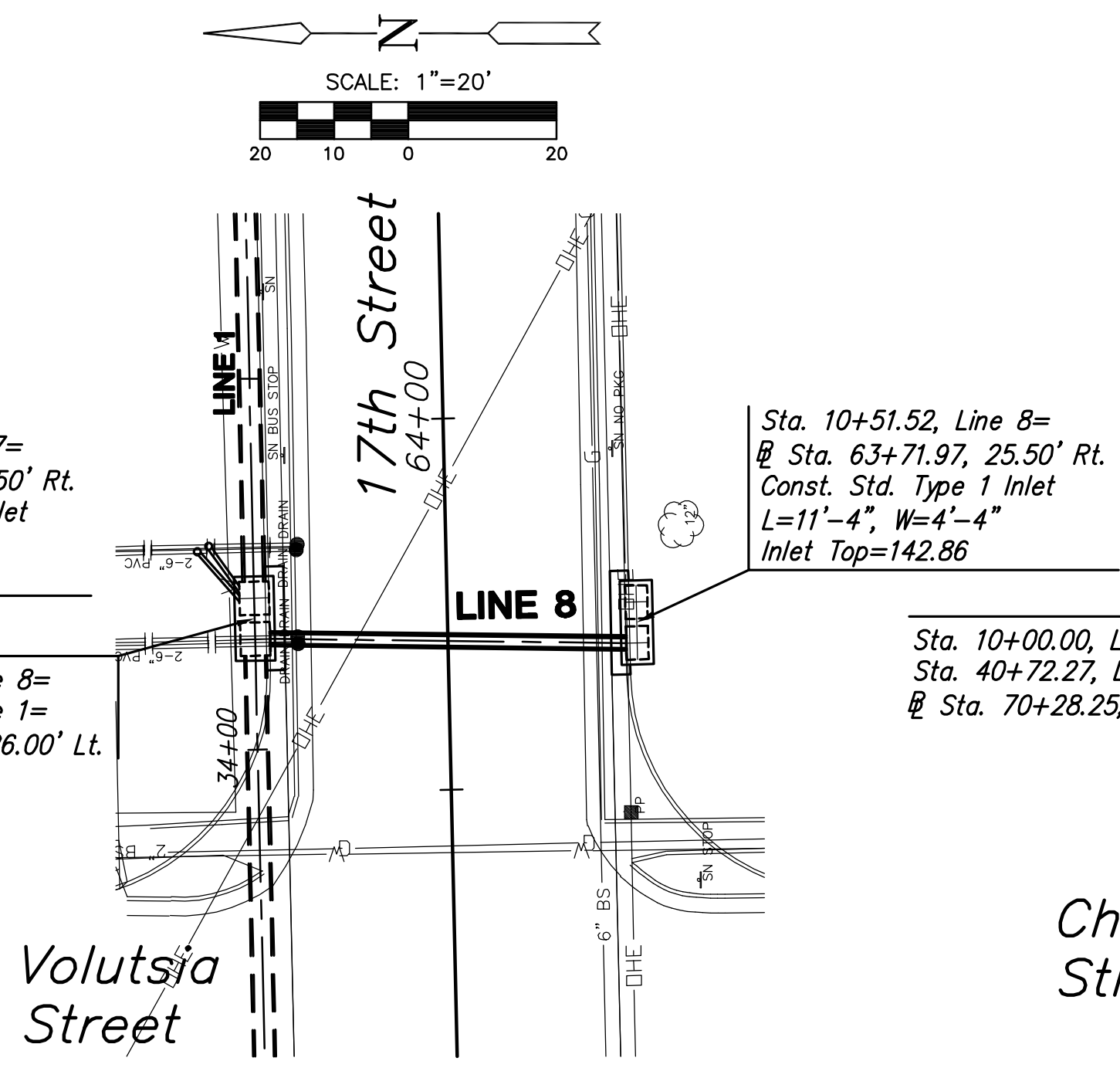
SHEET NO.  
**26 of 133**



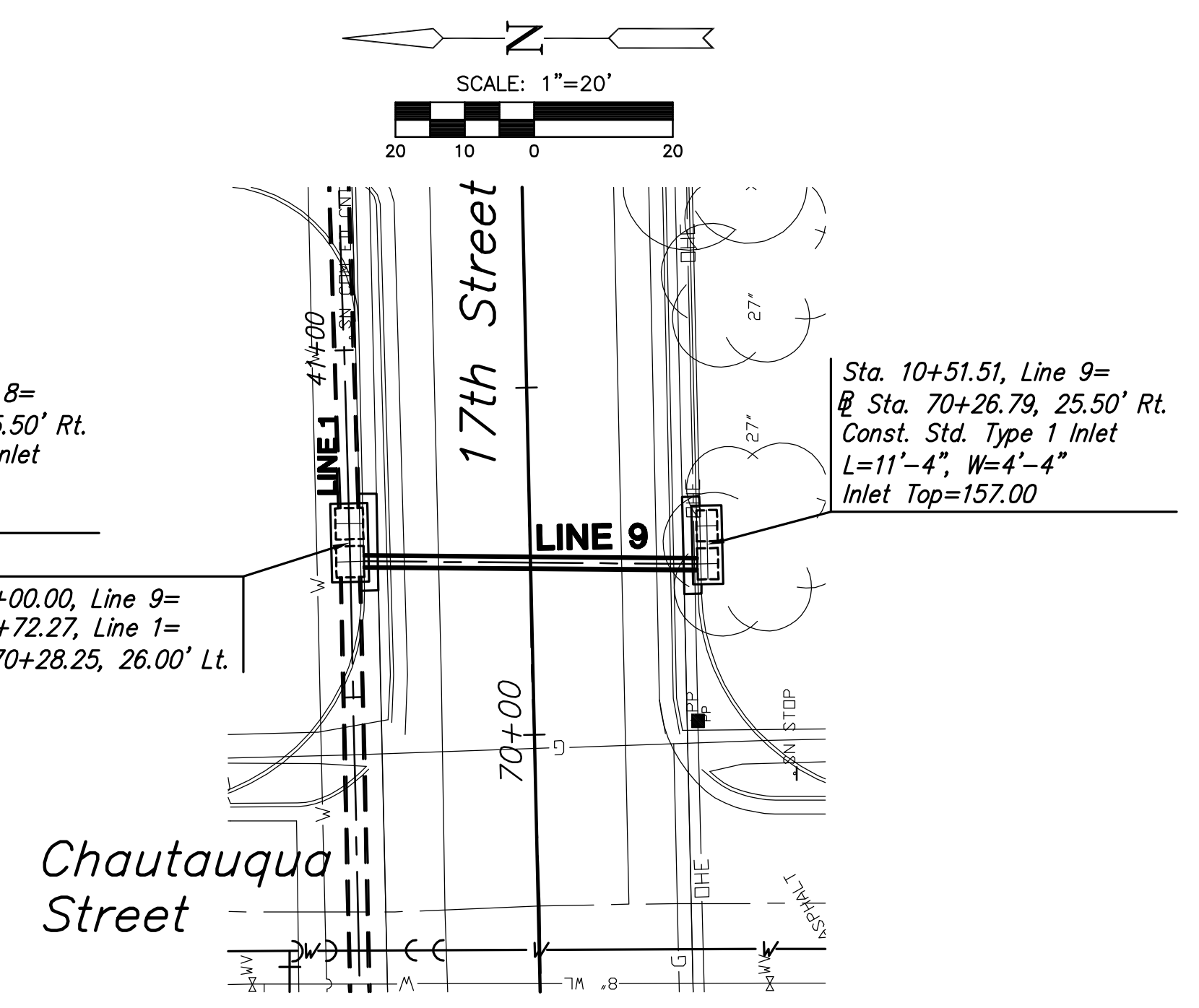
**PLAN LINE 6**



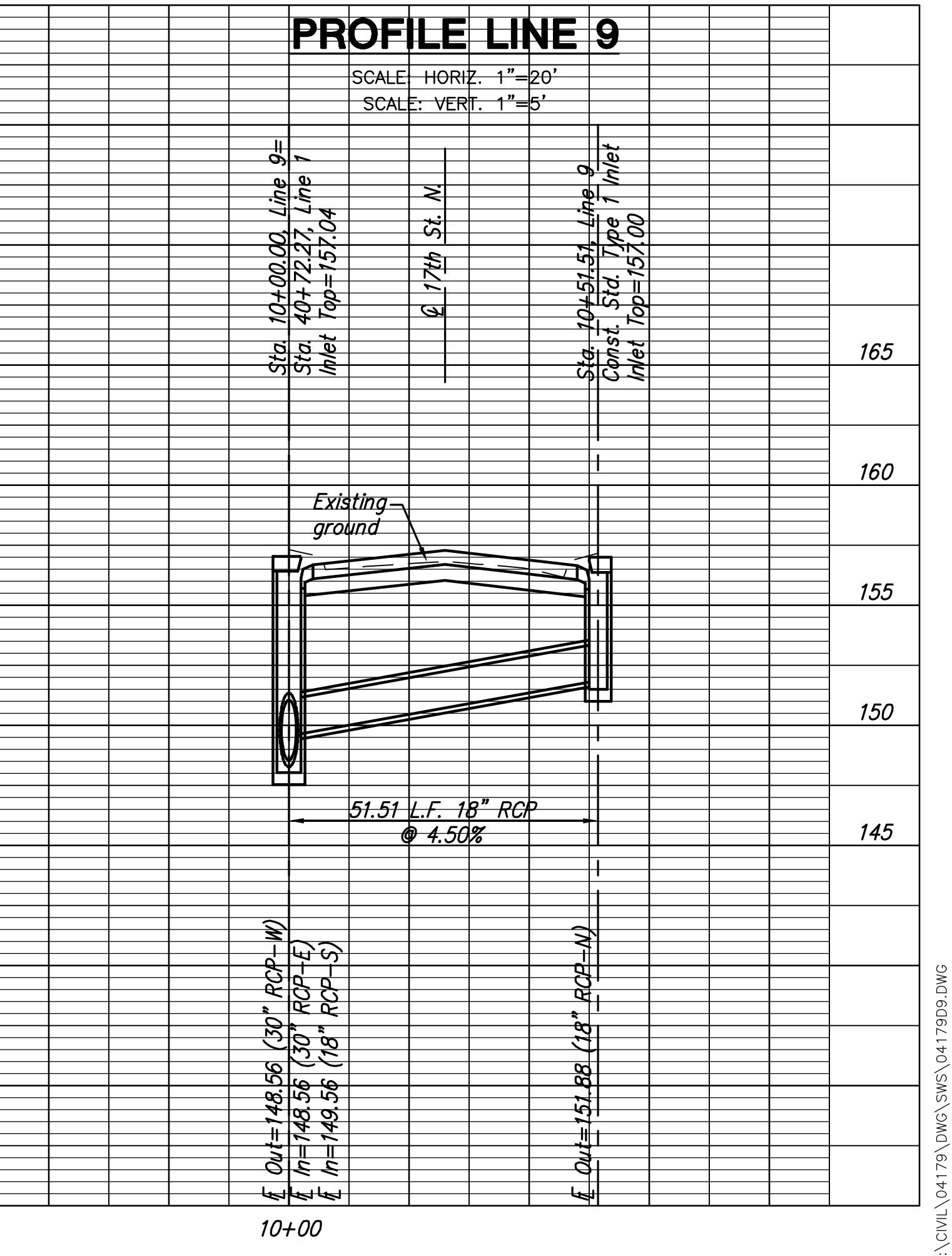
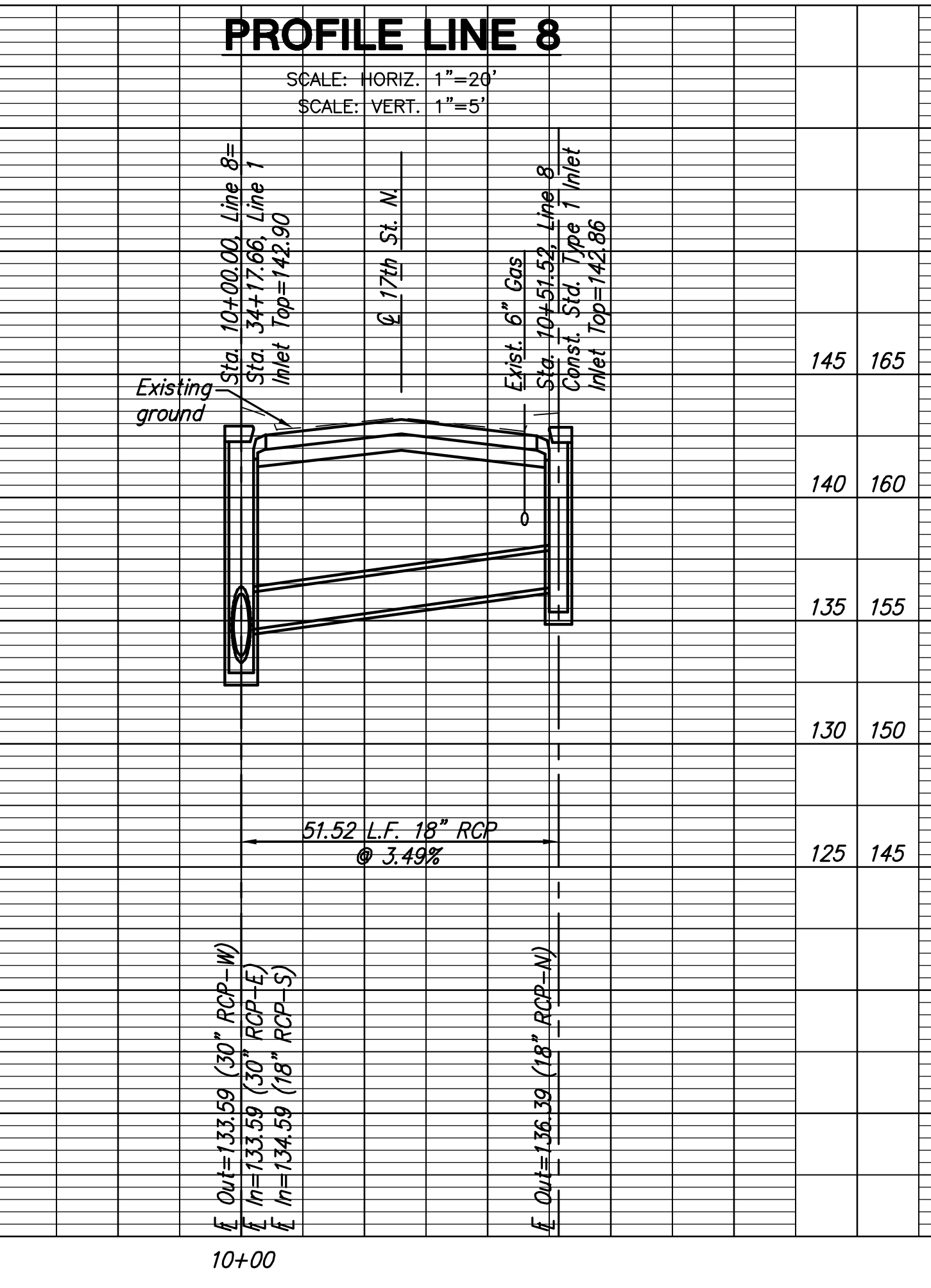
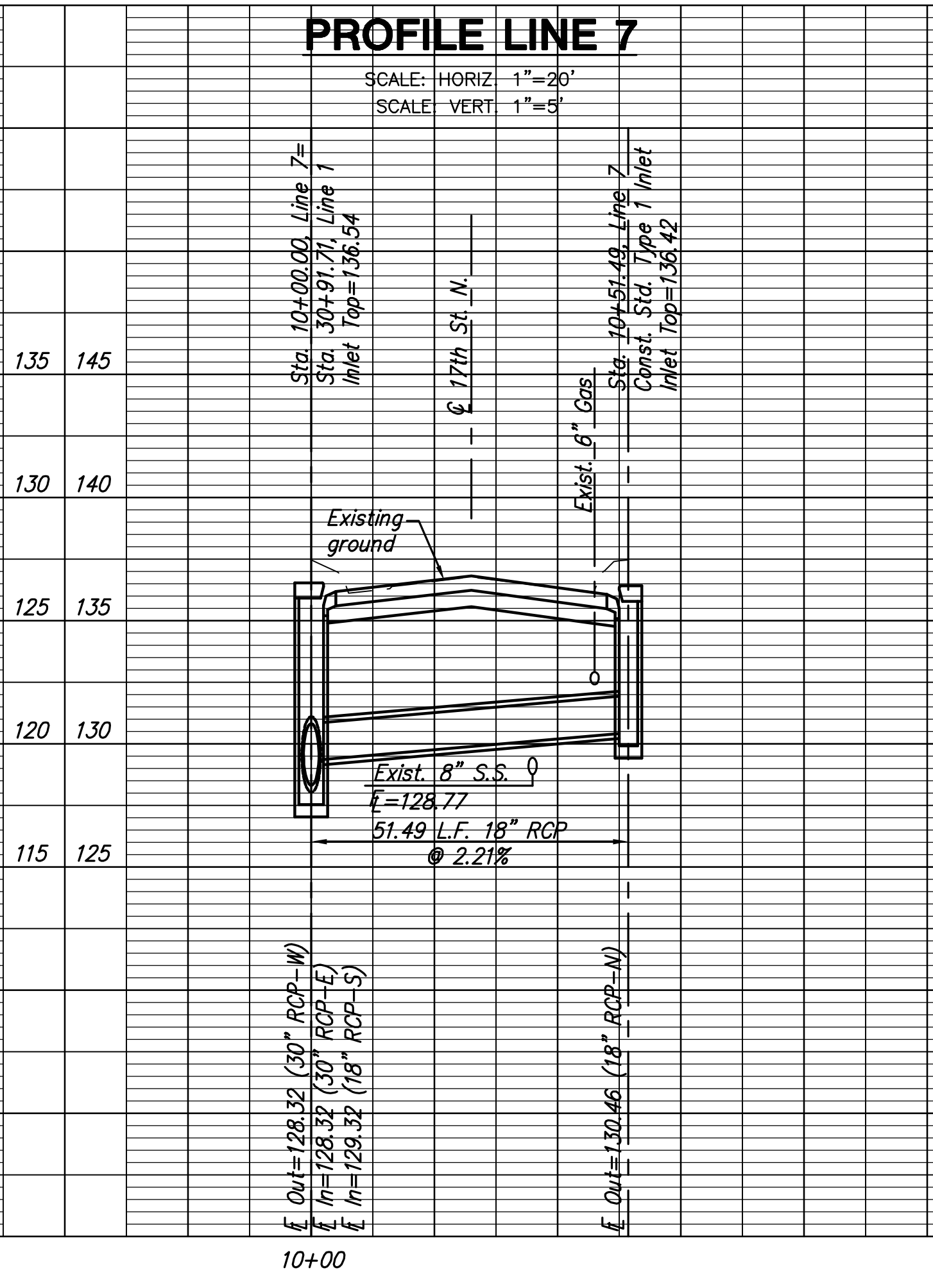
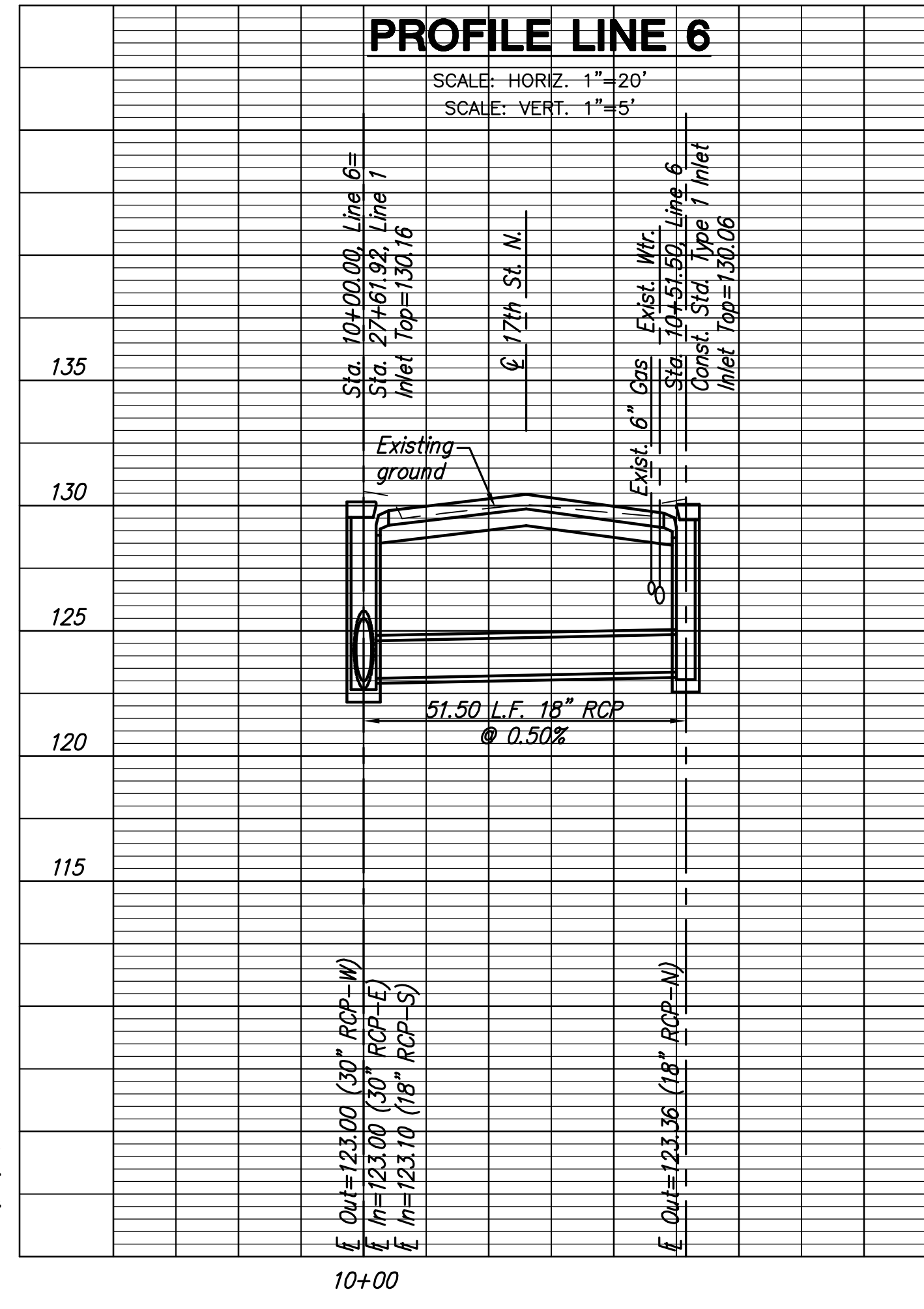
**PLAN LINE 7**



**PLAN LINE 8**



**PLAN LINE 9**



PLOT: Thursday, May 28, 2009 @ 10:33AM

J:\CIVIL\04179\DWG\SMS\04179D9.DWG