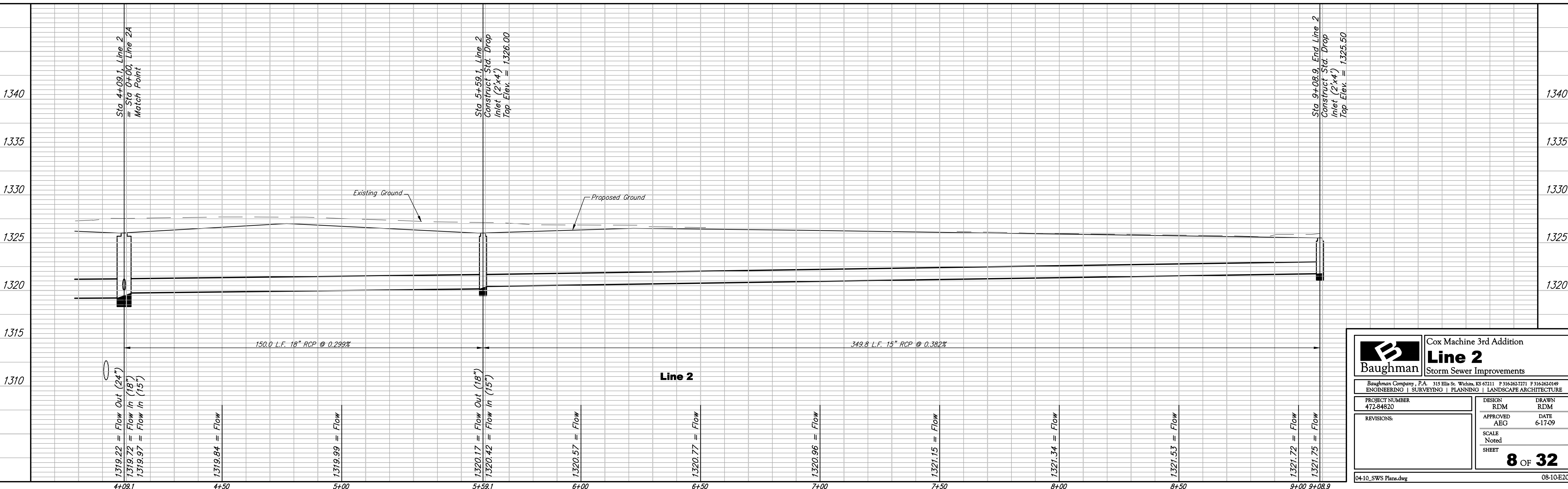
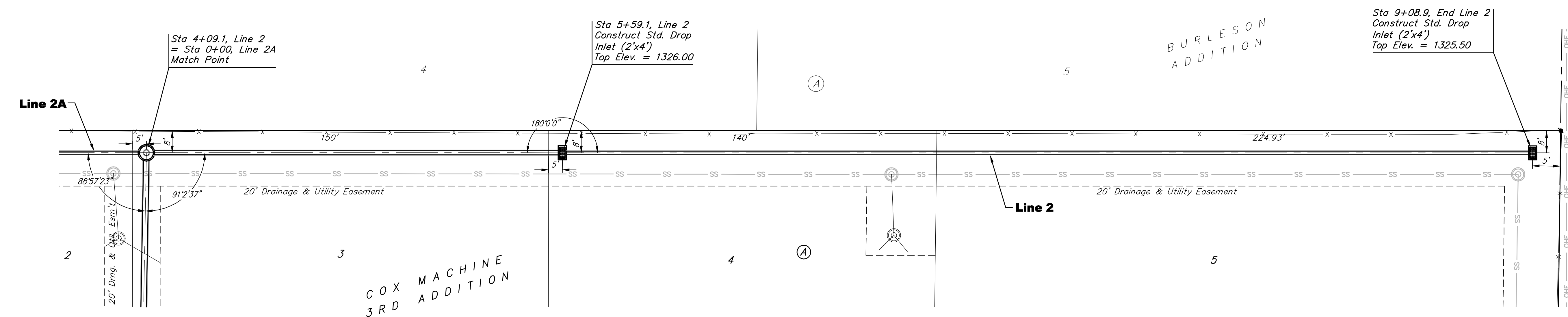
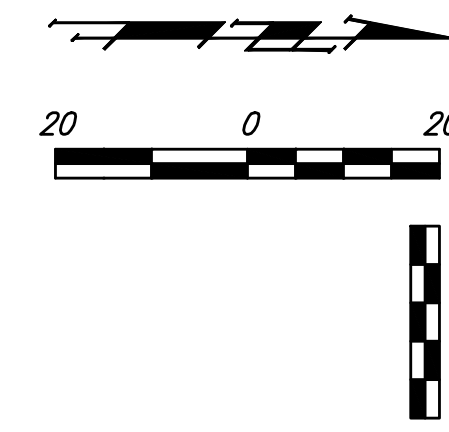


BENCHMARKS:

BM #1: CITY OF WICHITA BENCHMARK
DISC, 48.5' W. & 28' N. OF @ 21ST
STREET NORTH AND HOOVER STREET.
ELEV. = 1326.47 NGVD29

BM #2: RAIL ROAD SPIKE IN POWER
POLE 28' N. OF @ OF 21ST STREET
NORTH ALONG THE WEST LINE OF THE
PLAT.
ELEV. = 1327.25 NGVD29



		Cox Machine 3rd Addition Line 2 Storm Sewer Improvements	
Baughman Company, P.A. 315 Ellis St. Wichita, KS 67211 P 316-262-7771 F 316-263-0149 ENGINEERING SURVEYING PLANNING LANDSCAPE ARCHITECTURE			
PROJECT NUMBER 472-84820	DESIGN RDM	DRAWN RDM	DATE 6-17-09
REVISIONS:	APPROVED AEG	SCALE Noted	SHEET 8 OF 32
04-10_SWS Plans.dwg		08-10-E206	