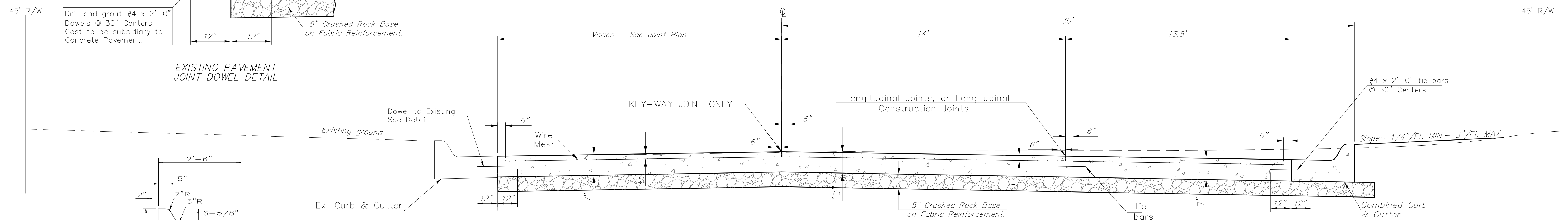
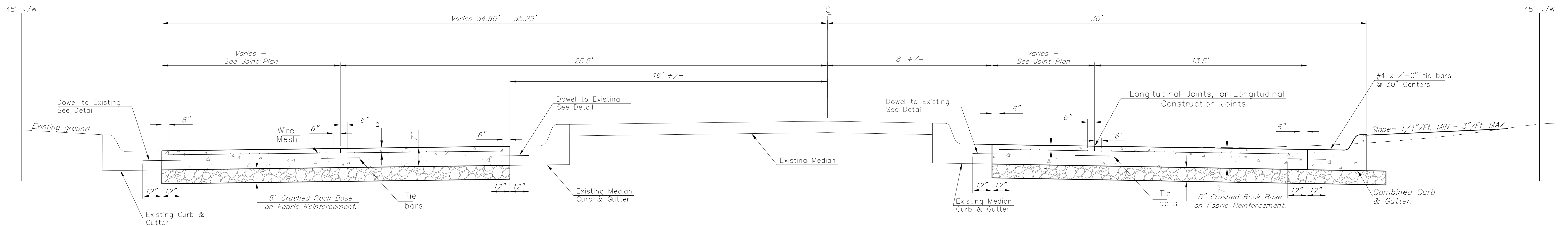


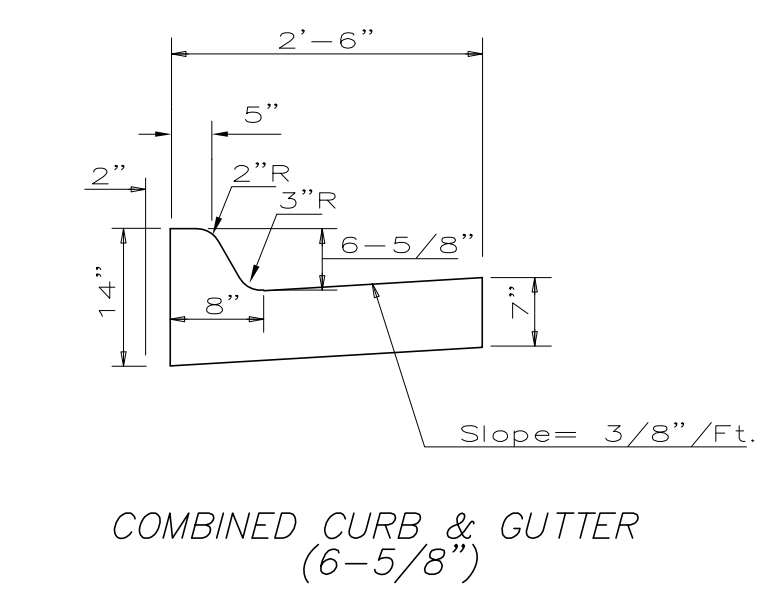
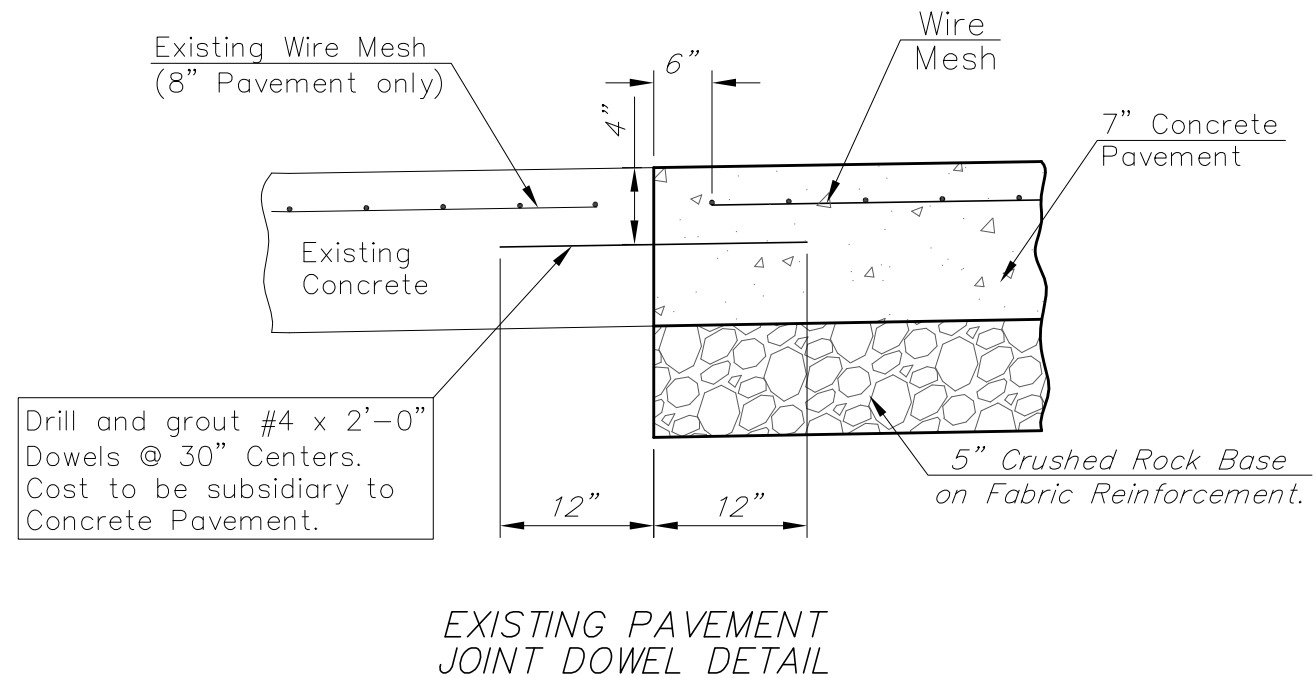
WICHITA STREET, STATION 10+54.06 TO 13+01.15



WICHITA STREET, STATION 13+01.15 TO 13+72.61

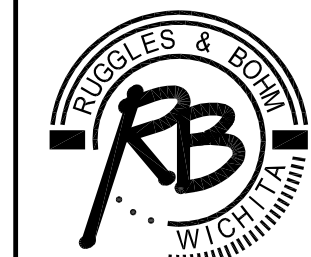


WICHITA STREET, STATION 13+99.70 TO 14+65.65



** Note: The 3 1/2" as shown on standard sheet is a nominal dimension and may be subject to a normal unevenness due to placement operations.

**Wichita Street Pavement Improvements
Typical Section
WICHITA, KANSAS**



Ruggles & Bohm, F.A.
Engineering, Surveying, Land Planning
924 North Main
Wichita, Kansas 67203
www.rbkansas.com
(316) 264-8008
(316) 264-4621 fax
E-mail: info@rbkansas.com

DRAWING FILE: ENCG BASE [Typical Section] PROJECT NUMBER: 472-84796
DESIGN: PSB DRAWN: PSB REVIEW: PSB UTILITY: DATE: July 14, 2009

SHEET 3 OF 12