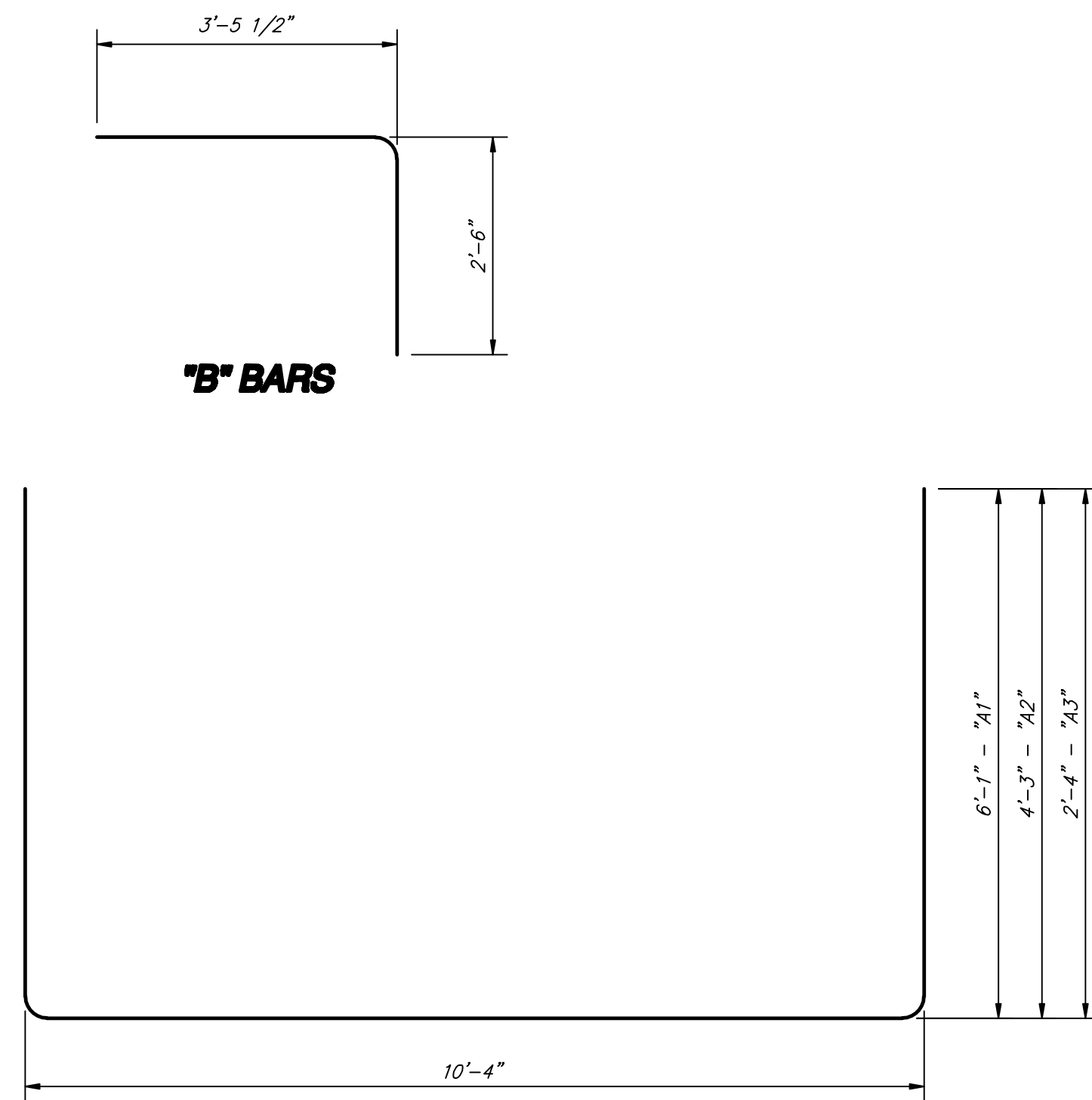
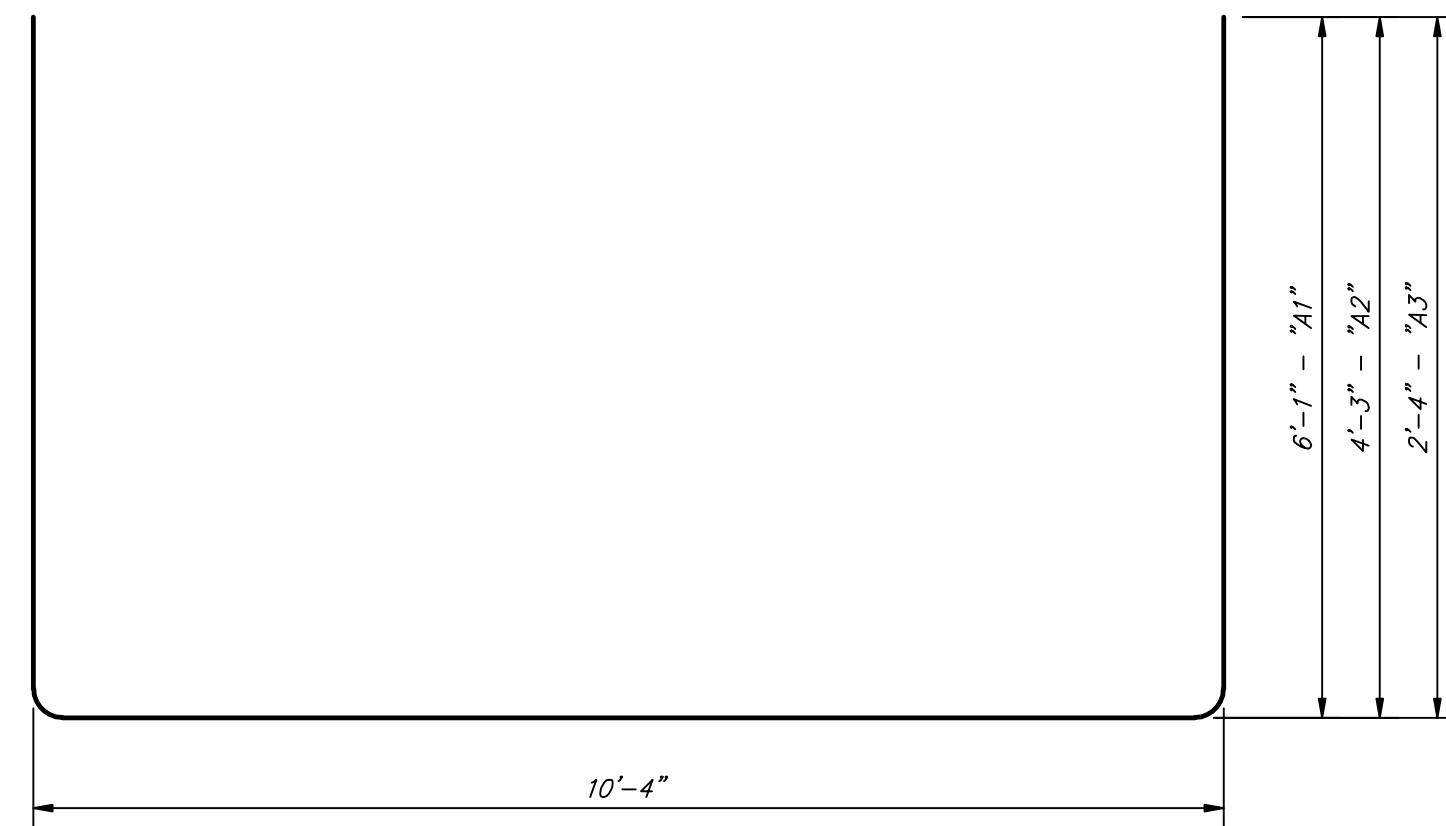


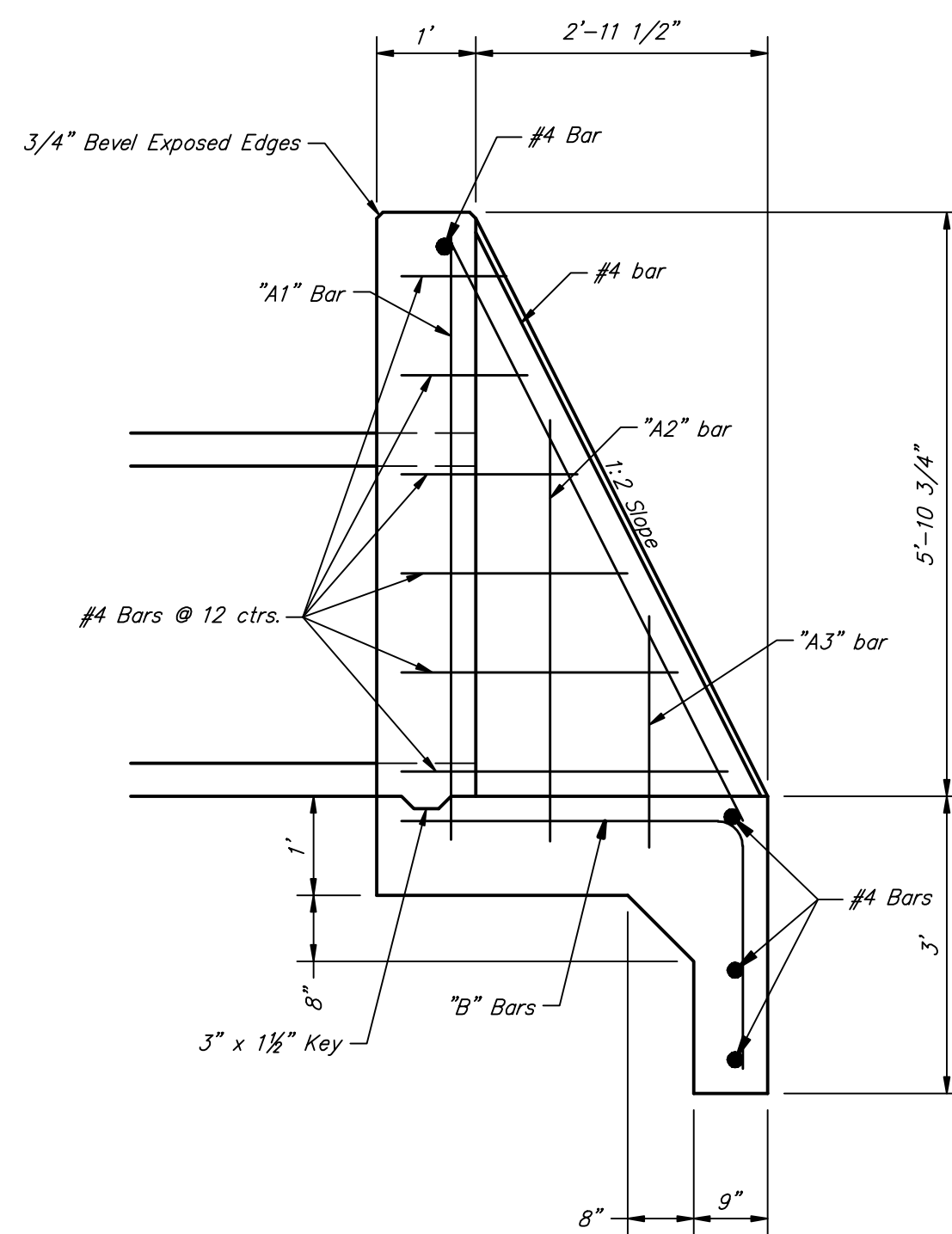
**PLAN**



**"B" BARS**

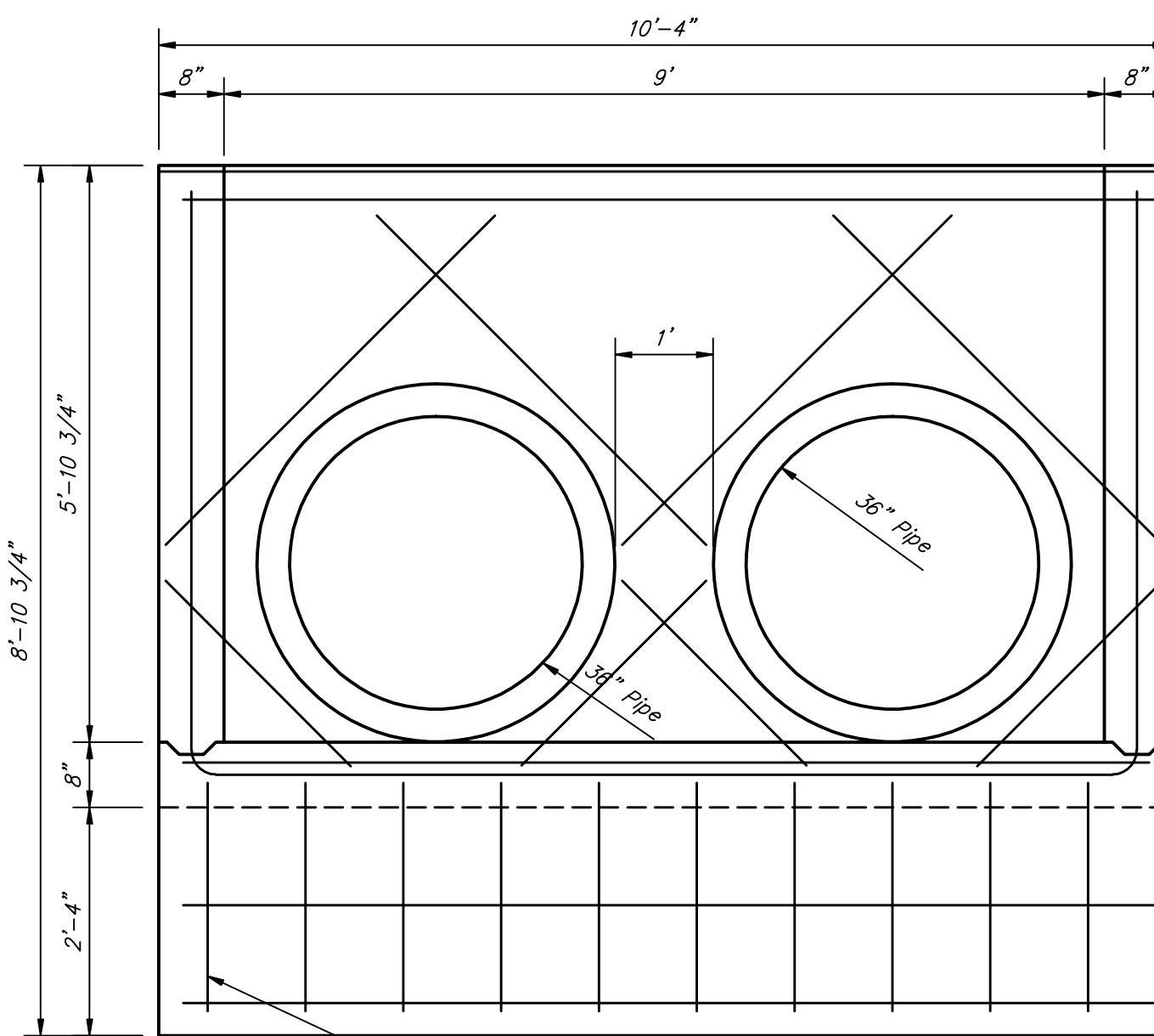


**"A" BARS  
BENDING DIAGRAMS**



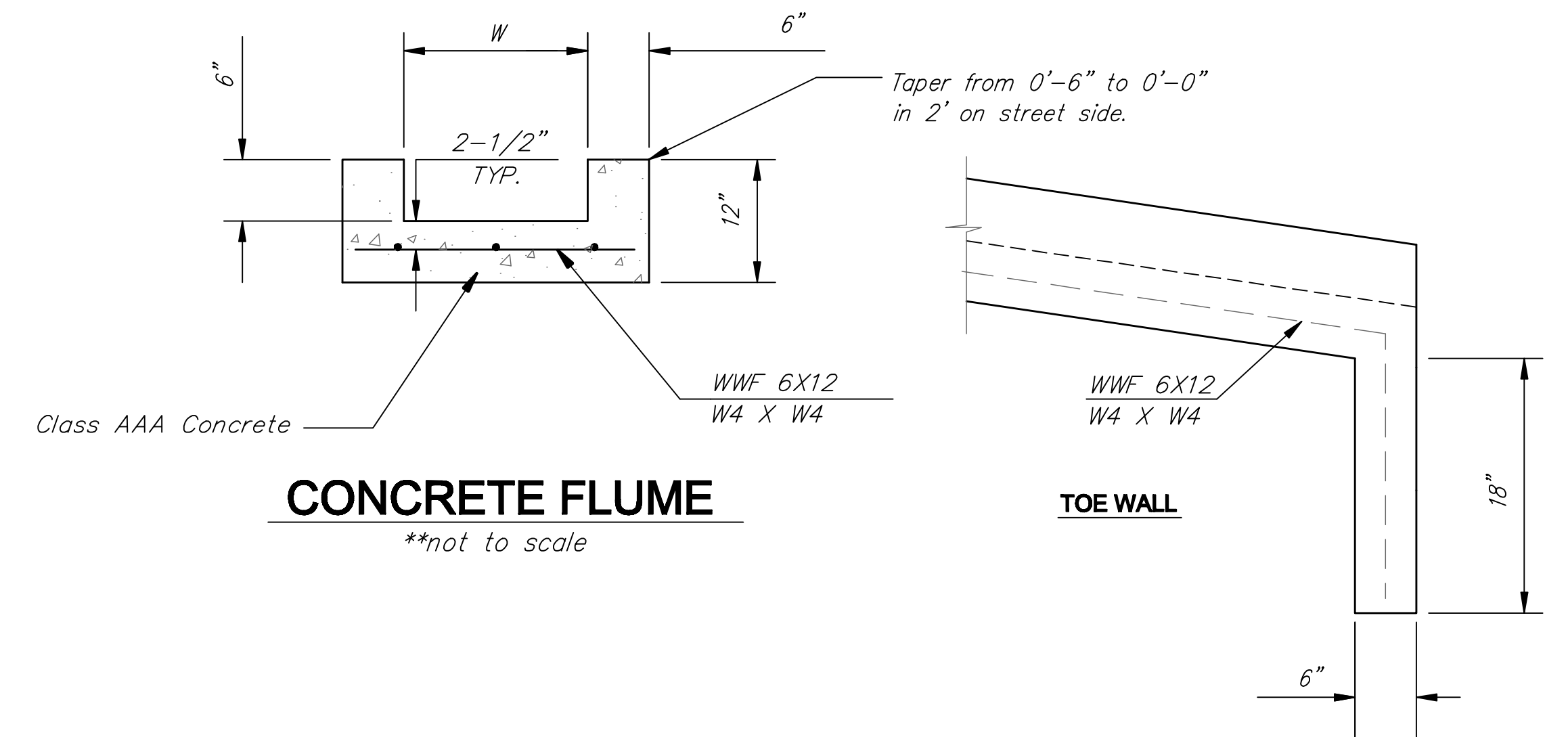
**SECTION**

**HEADWALL DETAIL FOR 36" PIPE**



**FRONT**

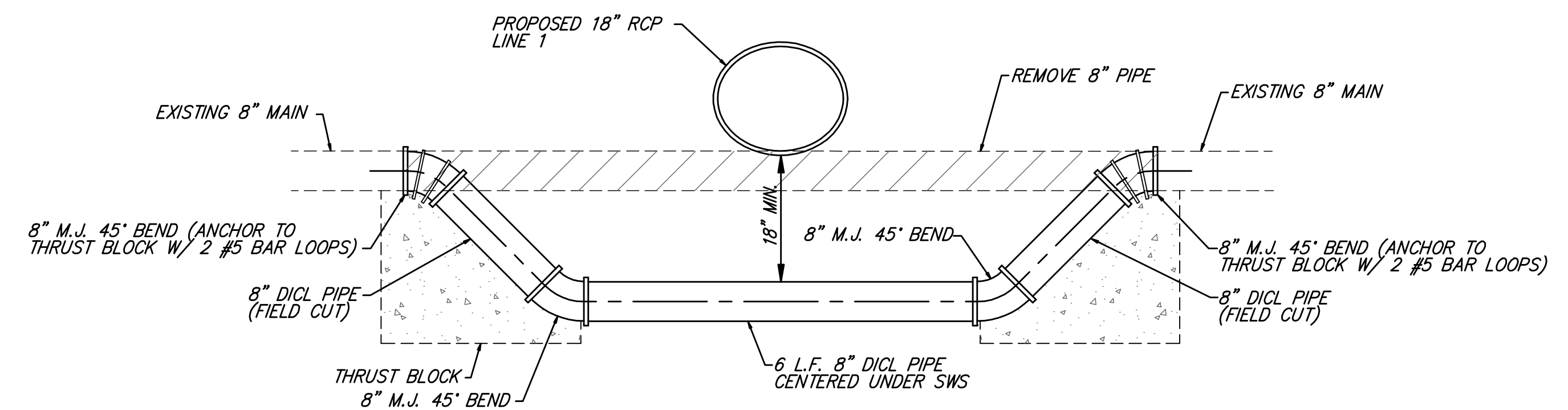
"B" Bars @ 12 ctrs.



**CONCRETE FLUME**

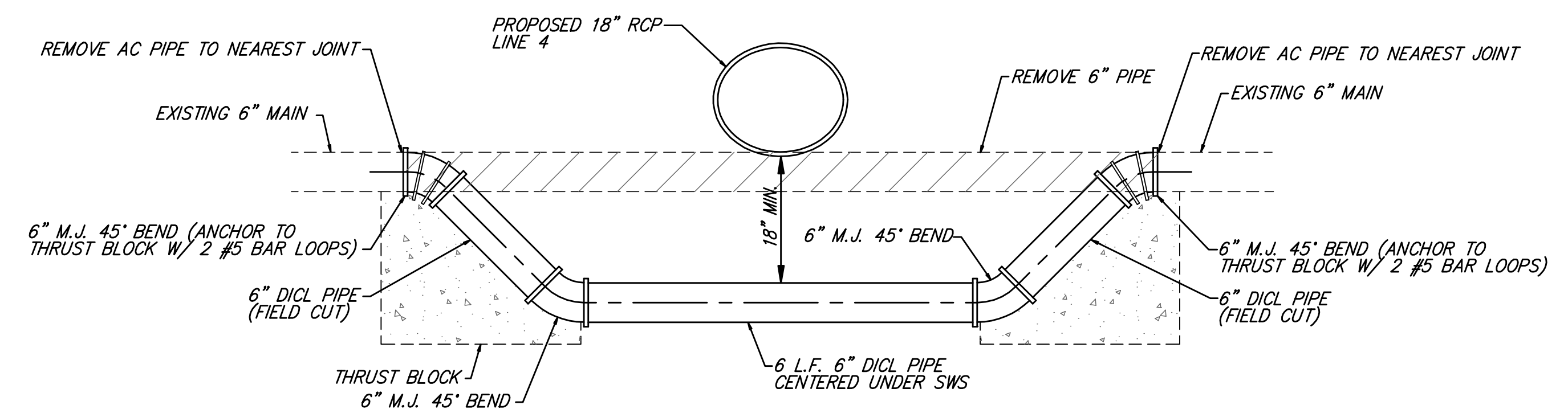
\*\*not to scale

**TOE WALL**



**WATER MAIN LOWERING DETAILS (PVC PIPE)**

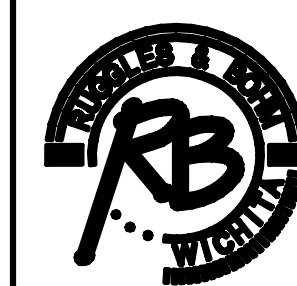
NOT TO SCALE



**WATER MAIN LOWERING DETAILS (A.C. PIPE)**

NOT TO SCALE

**WASHINGTON HEIGHTS ADDITION  
STORM SEWER DETAILS  
WICHITA, KANSAS**



**Ruggles & Bohm, P.A.**  
Engineering, Surveying, Land Planning

624 North Main  
Wichita, Kansas 67203  
www.rbkansas.com  
(316) 264-6888  
(316) 264-6821 fax  
E-mail: info@rbkansas.com

PROJECT NUMBER: 472-84718  
DATE: Jan. 29, 2009

DESIGNED BY	AML	SCALE
CHECKED BY	AML	
DRAWN BY		
DATE		18
		33