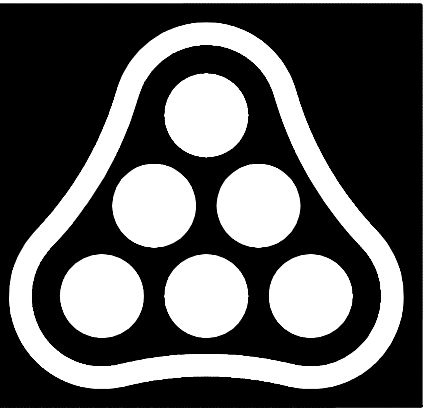


IMPERVIOUS AREA (CONTAINED)	1.03 ACRES	22%
IMPERVIOUS AREA (NOT CONTAINED)	0.25 ACRES	6%
PERVIOUS AREA	3.31 ACRES	72%
TOTAL AREA	4.59 ACRES	100%



**Professional Engineering Consultants**

303 S. TOPEKA • WICHITA, KANSAS 67202  
316 262 2691 • FAX 316 262 3003  
www.pec1.com • designers@pec1.com



SCALE:  
0 40 80

**LEGEND**

- PROPERTY LINE
- SANITARY SEWER LINE
- STORM SEWER LINE
- GRAVEL LAYDOWN AREA
- CONCRETE PAVEMENT

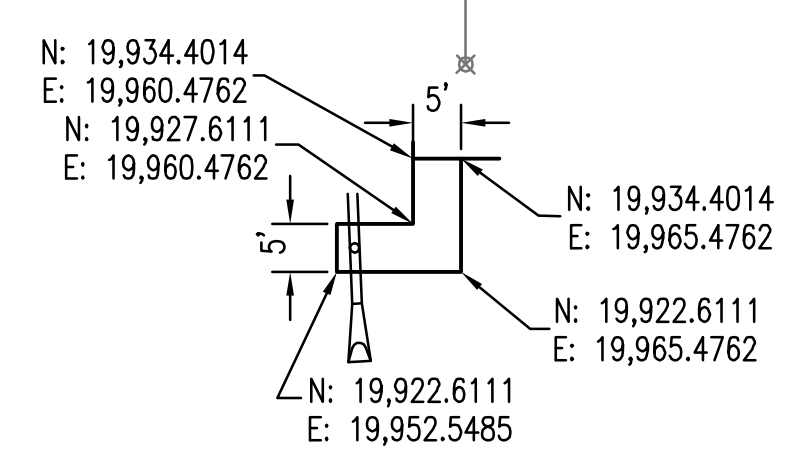
**LEGEND**

- Denotes direction of Drainage
- 1274.60 Proposed Pavement Elevation
- 1272.3 Proposed Ground Elevation
- ME Match Existing Elevation
- HP High Point
- Flow Line

SEE SHEETS C2.1 - C2.7 FOR PRIVATE STORM WATER SEWER PLANS

Proposed SWS, including SWS valve, is privately owned and maintained.

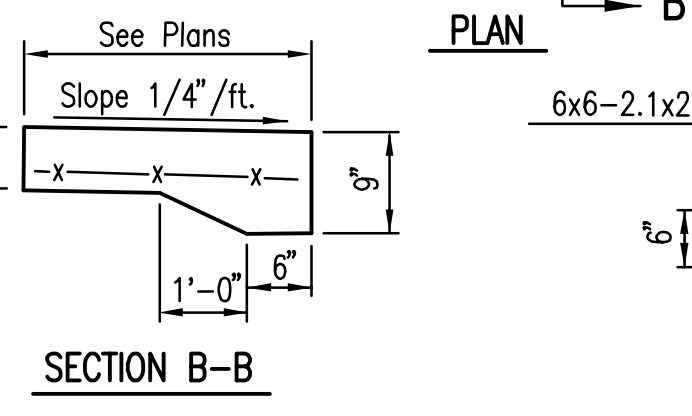
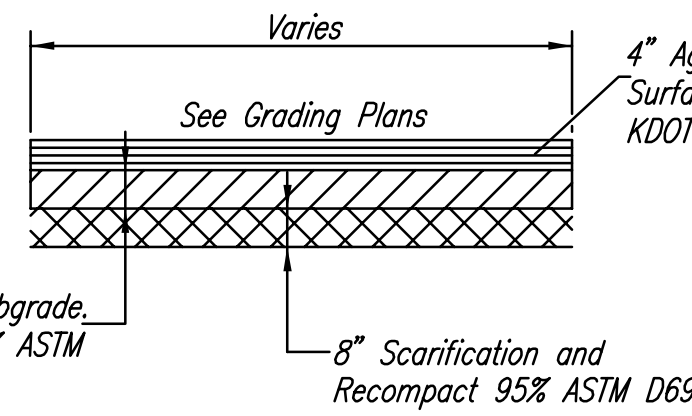
N: 19,925.1111, E: 19,954.3970  
Remove existing RCP and install Gate Valve.  
See detail, this sheet.



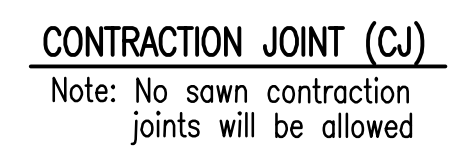
**SIDEWALK PLAN**

**GRAVEL DRIVES & PARKING AREAS**

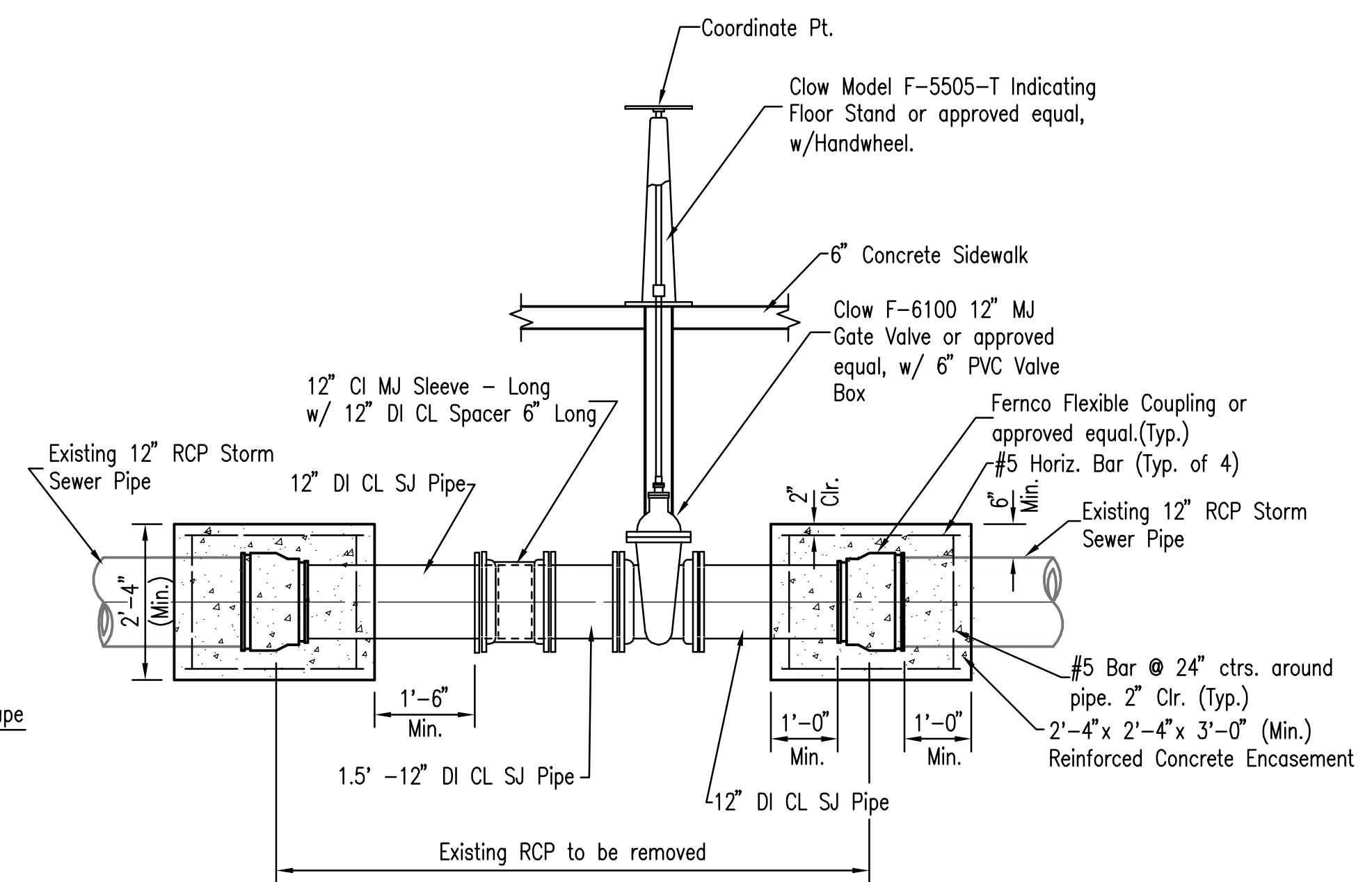
sterilize Subgrade Prior to Surfacing.



**SECTION B-B**  
**SIDEWALK DETAILS**



**CONTRACTION JOINT (CJ)**  
Note: No sawn contraction joints will be allowed



**STORM SEWER VALVE INSTALLATION DETAIL**

**LUBRICANT RECYCLING FACILITY  
UNIVERSAL LUBRICANTS, LLC  
WICHITA, KS**

SITE/GRADING PLAN

JOB NO. 07172-003  
DATE: JUNE 2008  
DRAWN: AKB  
CHECKED: RRY

**C1.4 R4**  
**14**

Saved: 09-02-2009 12:00:20 PM by TJS  
 Plot Scale: 1:40 09-15-2009 9:03:46 AM  
 Q:\2007\07172\003\RECORD DRAWINGS\FPS(SWS)07172-C1.4\_Site-Grading\_Plan\_revised.dwg